

# READ AND SAVE THESE INSTRUCTIONS

---

---

## INSTALLATION INSTRUCTIONS

**Model:AC40952**

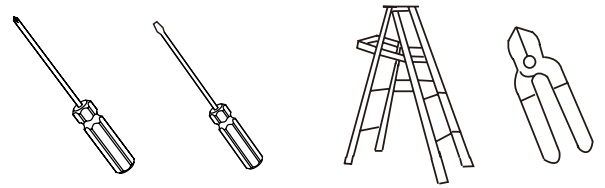


**Kendal Lighting(BC) inc.  
#110,6780 Denett Place  
Delta,BC V4G 1N4  
Canada  
Tel:(604)952-5510  
Fax:(604)952-5513**

**Weight of Fan:6.5KGS**

# 1. TOOLS AND MATERIALS REQUIRED

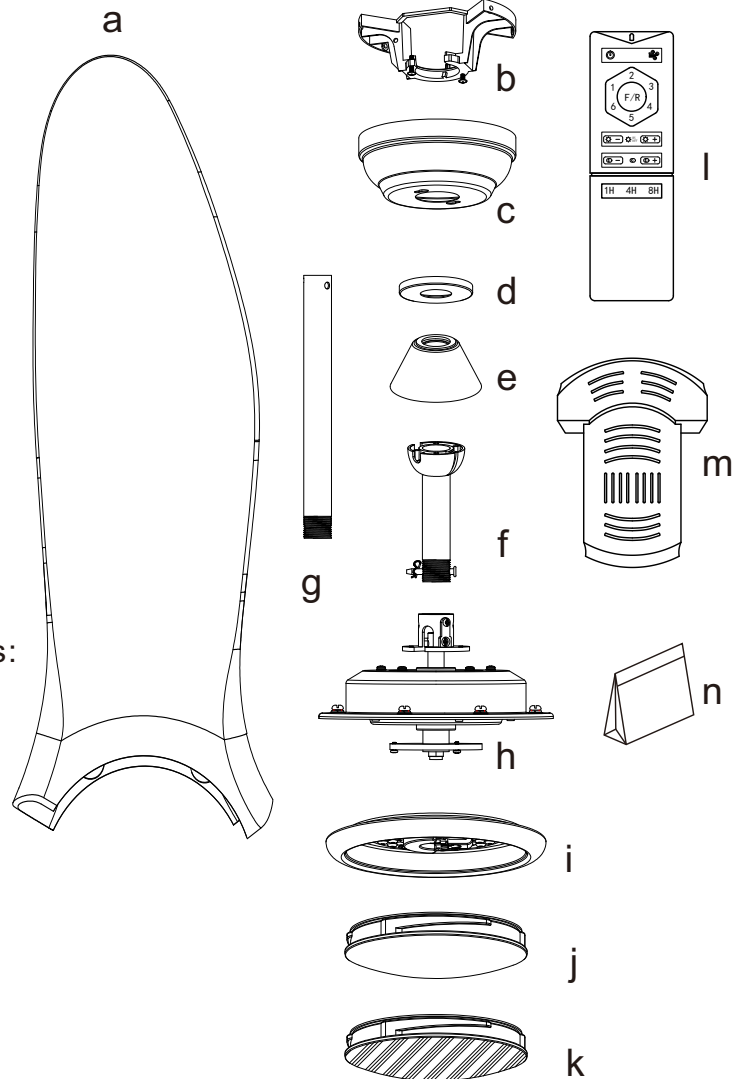
- Philips screw driver
- Blade screw driver
- Step ladder
- Wire cutters



# 2. PACKAGE CONTENTS

Unpack your fan and check the contents. You should have the following items:

- a. Blade set(3)
  - b. Hanger bracket
  - c. Canopy
  - d. Canopy cover
  - e. Coupling cover
  - f. 5" downrod assembly
  - g. 10" downrod
  - h. Fan motor assembly
  - i. LED light kit
  - j. Lamp shade
  - k. Bottom cap
  - l. Transmitter assembly
  - m. Receiver
- Package hardware
- (1) Mounting hardware&safety cable screws:  
wood screws(3),flat washers(3),  
spring washers(3)  
machine screws(2),flat washers(2),  
spring washers(2)
  - (2) Blade attachment hardware:  
blade screws(1)
  - (3) Balance kit



### 3.SAFETY RULES

1. To reduce the risk of electric shock, ensure electricity has been turned off at the circuit breaker or fuse box before beginning.
2. All wiring must be in accordance with the National Electrical Code and local electrical codes. Electrical installation should be performed by a qualified licensed electrician.
3. **WARNING:** To reduce the risk of shock, this fan must be installed with an isolating wall control/switch.
4. **WARNING:** To reduce the risk of personal injury, use only the two steel screws (and lock washers) provided with the outlet box for mounting to the outlet box. Most outlet boxes commonly used for the support of lighting fixtures are not acceptable for fan support and may need to be replaced, consult a qualified electrician if in doubt.
5. The outlet box and support structure must be securely mounted and capable of reliably supporting a minimum of 50 pounds. Use only CUL Listed outlet boxes marked "**FOR FAN SUPPORT**".
6. The fan must be mounted with a minimum of 7 feet clearance from the trailing edge of the blades to the floor.
7. For fans with manual reverse, do not operate reversing switch while fan blades are in motion. Fan must be turned off and blades stopped before reversing blade direction.
8. Avoid placing objects in the path of the blades.
9. To avoid personal injury or damage to the fan and other items, be cautious when working around or cleaning the fan.
10. Do not use water or detergents when cleaning the fan or fan blades. A dry dust cloth or lightly dampened cloth will be suitable for most cleaning.
11. After marking electrical connections, spliced conductors should be turned upward and pushed carefully up into outlet box. The wires should be spread apart with the grounded conductor and the equipment-grounding conductor on one side of the outlet box.
12. Electrical diagrams are reference only. Light kit that are not packed with the fan must be CUL Listed and marked suitable for use with the model fan you are installing. Switches must be CUL General Use Switches. Refer to the Instructions packaged with the light kits and switches for proper assembly.

**WARNING**

TO REDUCE THE RISK OF FIRE, ELECTRIC SHOCK OR PERSONAL INJURY, MOUNT FAN TO OUTLET BOX MARKED "ACCEPTABLE FOR FAN SUPPORT".

**WARNING**

TO REDUCE THE RISK OF PERSONAL INJURY, DO NOT BEND THE BLADE BRACKETS (ALSO REFERRED TO AS FLANGES) DURING ASSEMBLY OR AFTER INSTALLATION. DO NOT INSERT OBJECTS IN THE PATH OF THE BLADES.

## 4. MOUNTING OPTIONS

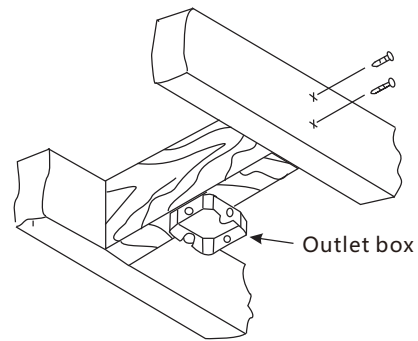
If there isn't an existing CUL listed mounting box, then read the following instructions. Disconnect the power by removing fuses or turning off circuit breakers.

Secure the outlet box directly to the building structure. Use appropriate fasteners and building materials. The outlet box and its support must be able to fully support the moving weight of the fan (at least 50 lbs). Do not use plastic outlet boxes.

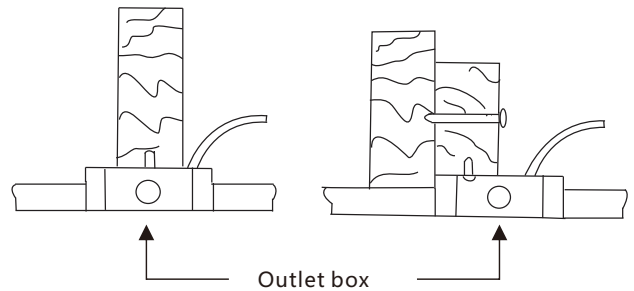
Figures 1, 2 and 3 are examples of different ways to mount the outlet box.

**Note:** You may need a longer downrod to maintain proper blade clearance when installing on a steep, sloped ceiling. (Fig. 3)

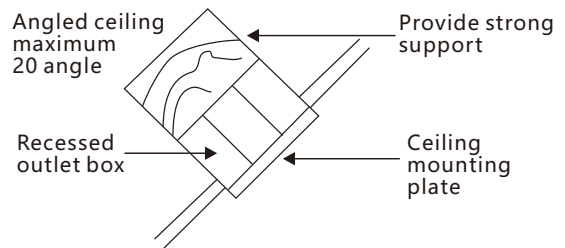
To hang your fan where there is an existing fixture but no ceiling joist, you may need an installation hanger bar as shown in Figure 4.



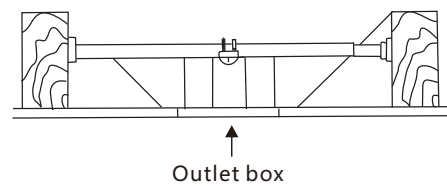
**Figure 1**



**Figure 2**



**Figure 3**



**Figure 4**

## 5. ATTACHING THE FAN BLADES

First, remove all blade screws pre-installed on the motor unit (do not discard; they will be needed for blade installation) (Fig.5a)

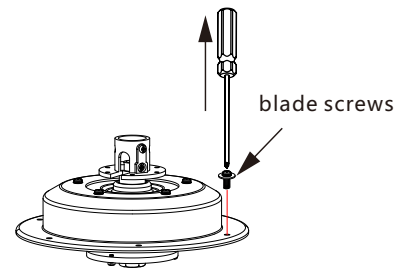


Figure 5a

Attach the blade to the fan motor assembly using blade screws. Attach the other blades to the fan motor assembly. (Fig.5b)

**Note:** Please follow the instruction manual and make sure to use correct screws during the installation process.

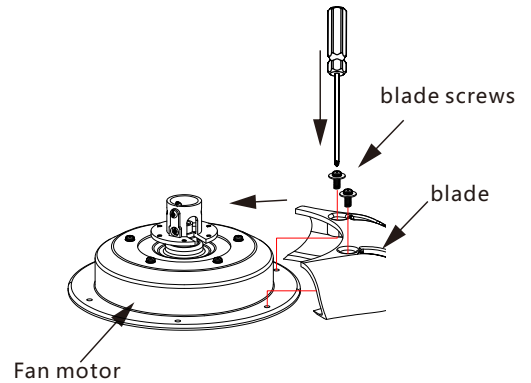


Figure 5b

## 6. ATTACHING THE LED LIGHT KIT

**Step 1.** Remove 3 screws from light kit adapter. ( Do not discard ) (Fig. 6)

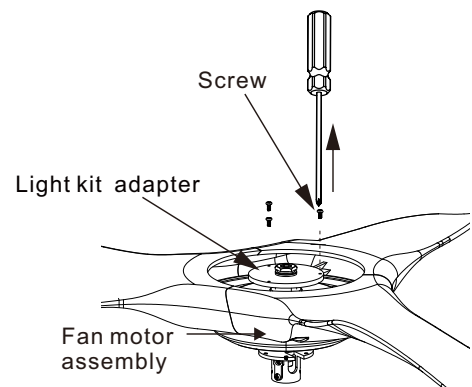


Figure 6

**Step 2.** Pull the light wire from motor through the hole of light kit. Connect the plug as drawing. (Fig 7)

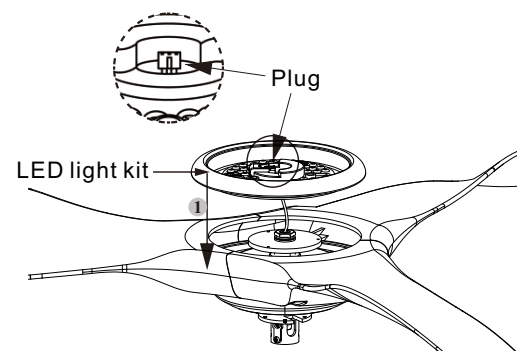
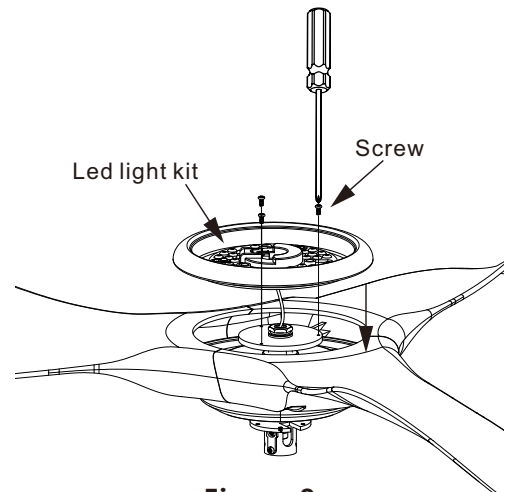


Figure 7

**Step 3.** Tighten the 3 screws previously removed in step 1 (Fig.8)

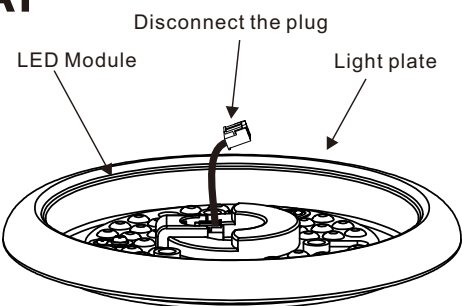


**Figure 8**

## 7. INSTALLING THE BOTTOM CAP

If light is not required, disconnect the plug from the LED module and install the bottom cap. (Fig.9)

\*Please save the light shade in case light is needed in the future.\*



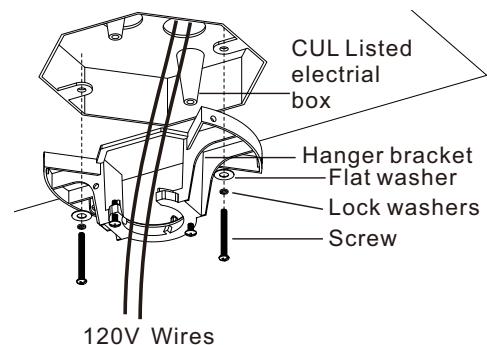
**Figure 9**

## 8. HANGING THE FAN

**REMEMBER** to turn off the power. Follow the steps below to hang your fan properly :

**Step 1.** Pass the 120-volt supply wires through the center in the ceiling hanger bracket as shown in (Fig. 10)

**Step 2.** Secure the hanger bracket to the ceiling outlet box with the screws and washers provided.

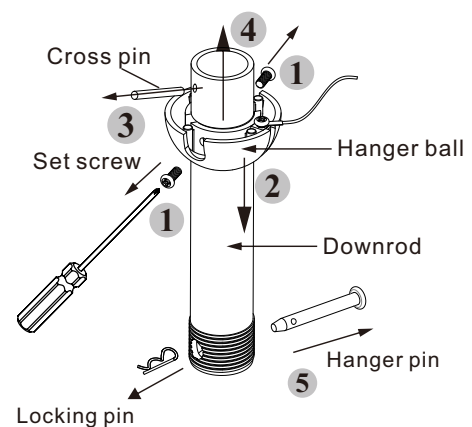


**Figure 10**

**Step 3.**

**a.** Remove hanger ball from downrod assembly by loosening set screw, removing the cross pin, and sliding hanger ball off downrod.

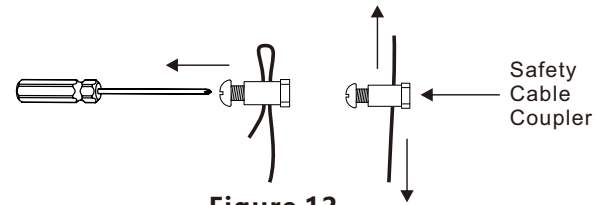
**b.** Remove the hanger pin, locking pin from the downrod assembly, and loosen the set screws from the the coupling (Fig. 11)



**Figure 11**

**Step 4.**

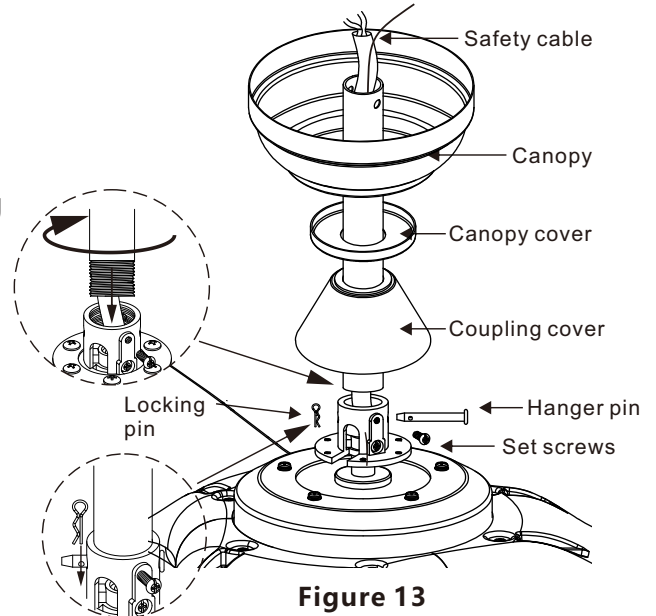
Loosen the screw on safety cable coupler, then remove the coupler from safety cable. Do not discard the coupler. (Fig. 12)



**Figure 12**

**Step 5.** Route the wires and safety cable coupler exiting from the top of the fan motor through the coupling cover, canopy cover and canopy, then through the ball/downrod. (Fig. 13)

**Step 6.** Thread downrod into the motor coupling until the holes on the downrod and coupling are lined up (Fig.13) Carefully insert the hanger pin through the holes in the collar and downrod. Be careful not to jam the pin against the wiring inside the downrod. Insert the locking pin through the hole near the end of the hanger pin until it snaps into its locked position, as shown in the circle inset of (Fig.13)



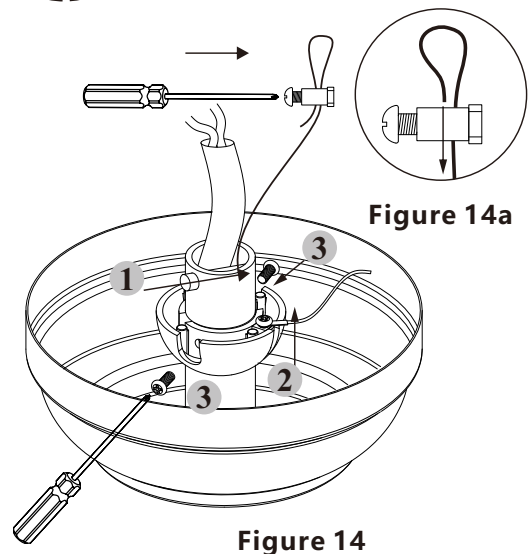
**Figure 13**

**Step 7.** Tighten two set screws against the downrod on the coupling firmly. (Fig. 13)

**Step 8.**

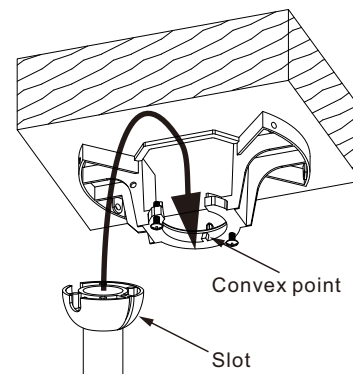
1.Reinstall the hanger ball on downrod using the reverse steps from (Step 3) (Fig.14)

2.Reinstall the safety cable coupler onto the safety cable using the reverse steps from (Step 4) (Fig.14 a)



**Figure 14**

**Step 9.** Place the downrod ball into the hanger bracket socket. (Fig. 15) And rotate fan and downrod assembly until tab on bracket lines up with slot on ball.



**Figure 15**

## 9. MAKE THE ELECTRICAL CONNECTIONS

**WARNING:** To avoid possible electrical shock, be sure electricity is turned off at the main fuse box before wiring.

**Step 1.** (Fig. 16) Insert the receiver into the hanger bracket with the flat side of the receiver facing the ceiling.

**Motor to Receiver Electrical Connections:**(Fig.17)

Connect the red wire (**MOTOR 1**) from receiver to the red wire(**MOTOR 1**)from fan with wire nut .  
 Connect the brown wire (**MOTOR 2**) from receiver to the brown wire(**MOTOR 2**)from fan with wire nut .  
 Connect the gray wire (**MOTOR 3**) of the receiver to the gray wire (**MOTOR 3**) of the fan using a wire nut.

Connect the white wire (**for light**) from receiver to the white wire(**for light**)from fan with wire nut .  
 Connect the blue wire (**for light**) from receiver to the blue wire(**for light**)from fan with wire nut .  
 Connect the yellow wire (**for light**) from receiver to the yellow wire(**for light**)from fan with wire nut .

**Step 2.** (Fig.17) **Receiver to House Supply Wires Electrical Connections:** Connect the Black (hot) wire from the ceiling to the black wire marked "AC in L" from the receiver.  
 Connect the white (neutral) wire from the ceiling to the white wire marked "AC in N" from the Receiver. Secure the wire connections with the plastic wire nuts provided.

**Step 3.** (Fig.17) If your outlet box has a ground wire (green or bare copper) connect it to the fan ground wires and the receiver ground wire; otherwise connect the hanging bracket ground wire to the fan and the receiver ground wire. Secure the wire connection with a plastic nut provided. After connecting the wires, spread them apart so that the green and white wires are on one side of the outlet box and other wires are on the other side. Carefully tuck the wire connections up into the outlet box.

**Note:** Fan must be installed at a maximum distance of 20 feet from the transmitting unit for proper signal transmission between the transmitting unit and the fan's receiving unit.

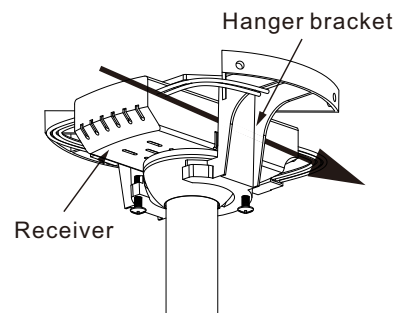


Figure 16

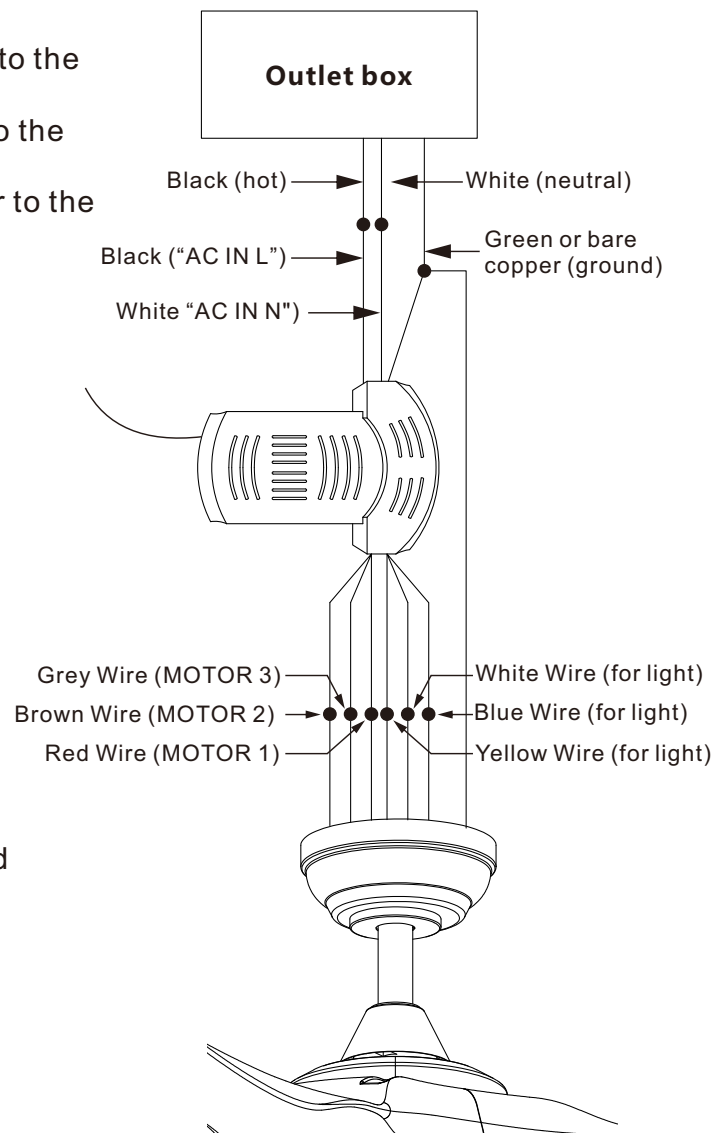


Figure 17

## 10. INSTALLATION OF SAFETY SUPPORT

A safety cable is provided to prevent the fan from falling. Secure the safety cable to the ceiling joist with screw and washer, as illustrated in (Fig.18)

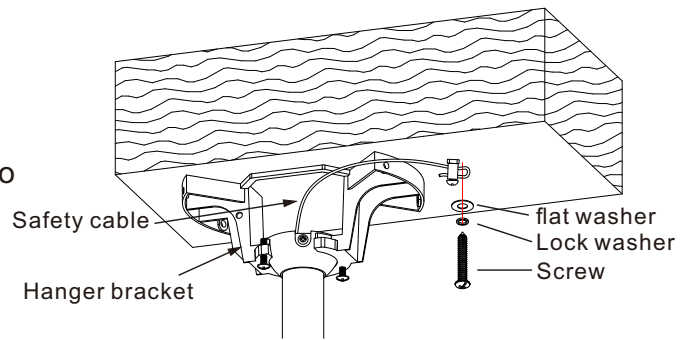


Figure 18

## 11. FINISHING THE INSTALLATION

**Step 1.** Tuck connections neatly into ceiling outlet box.

**Step 2.** Loosen the two screws on the bracket. Slide the canopy up to hanger bracket and place the key hole on the canopy over the screw on the hanger bracket, turn canopy until it locks in place at the narrow section of the key holes then tighten the two screws.(Fig.19)

**Step 3.** Place the magnetic canopy cover over canopy.

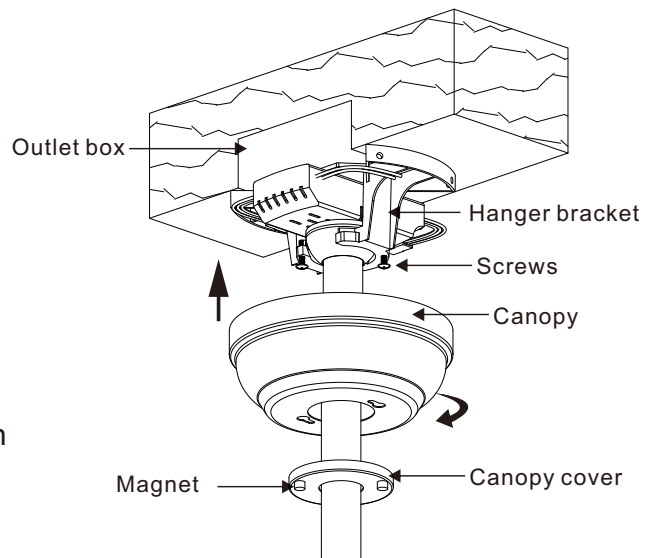
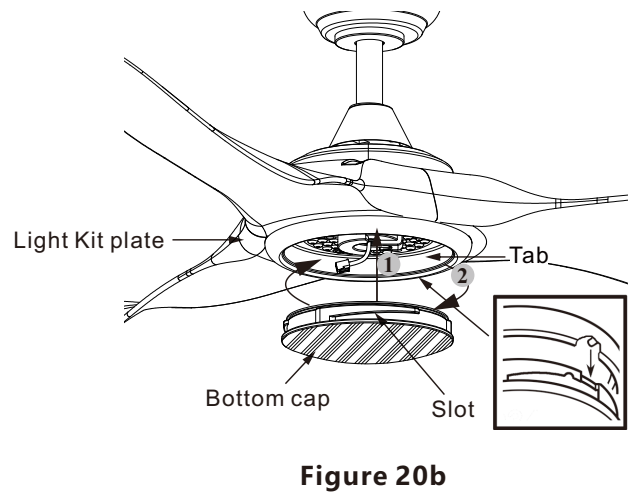
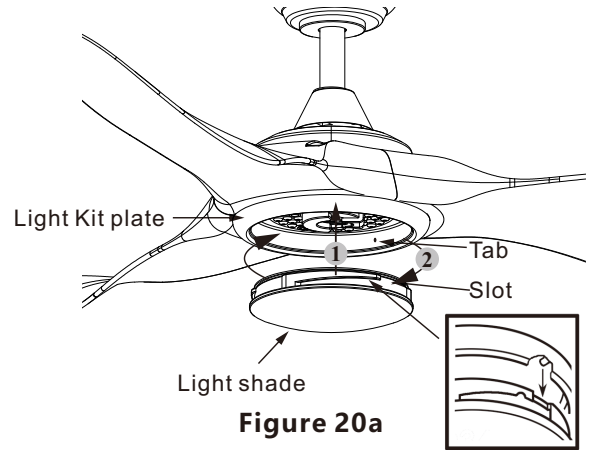


Figure 19

**WARNING:** Make sure tab at bottom of hanger bracket is properly seated in groove of hanger ball before attaching canopy to bracket. Failure to properly seat tab in groove could cause damage to electrical wiring.

**Step 4.** Instal light shade or bottom cap up against light kit plate and secure it to the fan by turning the light shade clockwise until snug. (DO NOT OVERTIGHTEN). (Fig.20a/b)



## 12. INSTALLING THE BATTERY

Remove the back cover on the transmitter and install two 1.5V batteries included with the remote control. (Fig. 21)

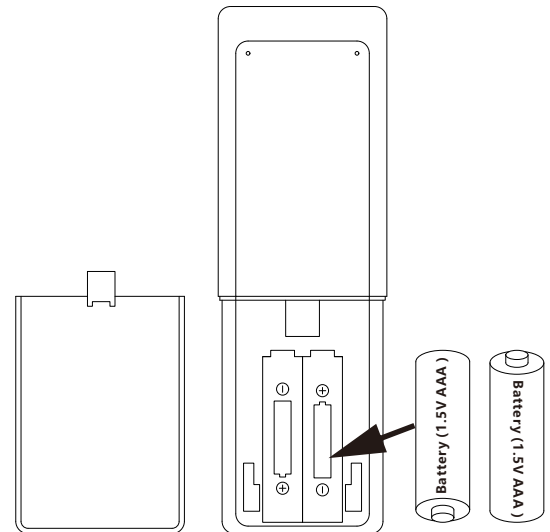



Figure 21

## 13. LEARNING PROCESS

The receiver and transmitter are already prepared with each other in the production process, however, if you find the fan is not operating properly or there is interference from another fan, you can pair by the following actions.

Within 10 seconds of turning on the power, press the “” key on the transmitter for 5 seconds, the fan will beep, indicating the transmitter and fan are now paired and ready to operate. (Fig.22)

Note: If you have more than one fan in close proximity, you will need to make sure the power to the other fan is off when doing this learning process. Otherwise, you may get interference between the two fans.

### 13a. ADDING EXTRA REMOTE (OPTIONAL)

Turn main power to the fan off and repeat learning process above using the new remote.

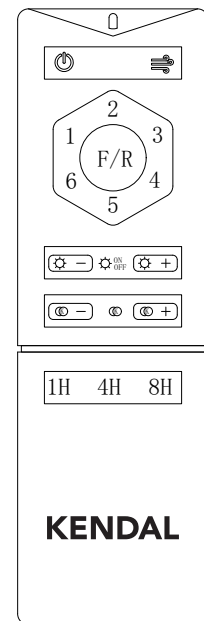


Figure 22

## 14. INSTALLING THE TRANSMITTER HOLDER

Attach the remote control holder with the two remote control holder mounting screws. (Fig.23)

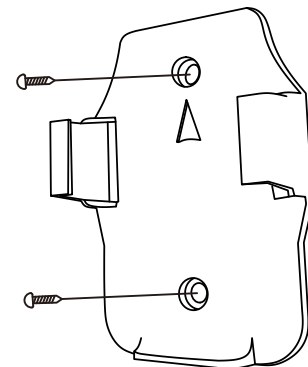


Figure 23

# 15. OPERATING YOUR TRANSMITTER

- A. Press the "⏻" button to turn off the fan (\*this button is only used to turn off the fan, it cannot start the fan, and it will not turn off the LED lamp Fig.24)
- B. Press "🌀" to start Breeze mode.
- C. 1,2,3,4,5,6 buttons:  
These six buttons are used to set the fan speed as follows:  
1=low speed                      2=medium low speed  
3=medium speed                4=medium high speed  
5=high speed                      6=extra high speed

- D. Light functions  
Press "☀️ ON/OFF" button to turn the light on and off  
Long press "☀️ +" to increase the brightness of the LED light  
Long press "☀️ -" to decrease the brightness of the LED light  
Press "🌈" button to toggle the LED light's color temperature among the coolest (5000K), neutral (4000K), and warmest (3000K)  
Long press "🌈 +" to increase the color temperature of the LED light  
Long press "🌈 -" to decrease the color temperature of the LED light

- E. Fan reverse button (F/R)  
Warm weather-(Forward) A downward airflow creates a cooling effect as shown in (Fig.25) This allows you to set your air conditioner on a warmer setting without affecting your comfort.  
Cool weather-(Reverse) An upward airflow moves warm air off the ceiling area as shown in (Fig.26) This allows you to set your heating unit on a cooler setting without affecting your comfort.
- F. (1H/4H/8H)Button:  
Pressing the (1H / 4H / 8H) button will automatically turn fan off after 1,4,8hours.

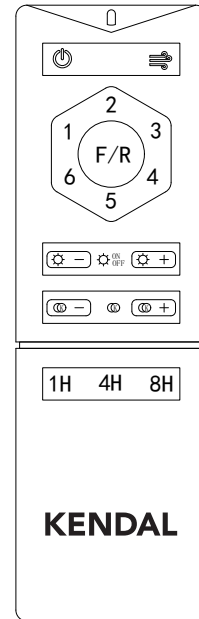


Figure 24

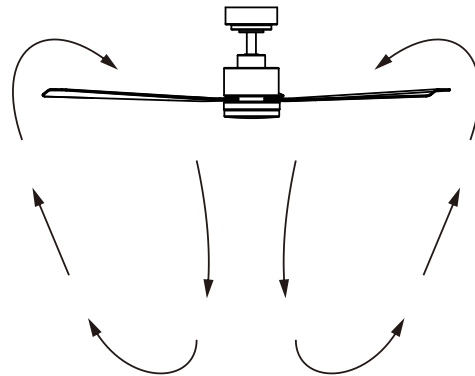


Figure 25

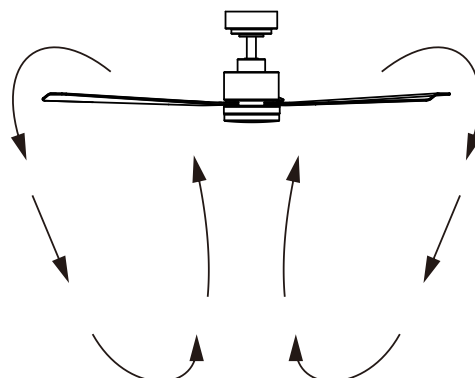


Figure 26

**NOTE:** To operate the reverse function on this fan, press the reverse button while the fan is running at any speed.

Speed settings for warm or cool weather depend on factors such as the room size. Ceiling height, number of fans and so on.

## 16. CARE OF YOUR FAN

Here are some suggestions to help maintain your fan.

1. Because of the fan's natural movement some connections may become loose. Check the support connections, brackets and blade attachments twice a year. Make sure they are secure. (It is not necessary to remove fan from the ceiling).
2. Clean your fan periodically to help maintain its new appearance over the years. Use only a soft brush or lint free cloth to avoid scratching the finish. Plated finishes are sealed with lacquer to minimize discoloration or tarnishing. Do not use water when cleaning, this could damage the motor, wood blades or possibly cause an electrical shock.
3. If your fan is provided with wood veneer blades; you can apply a light coat of furniture polish for additional protection and enhanced beauty. Cover small scratches with a light application of shoe polish.
4. Use a lint free lightly damp cloth or duster to remove dust from the blades.
5. There is no need to oil your fan. The motor has permanently lubricated bearings.
6. If your fan is provided with glass shades, clean with lukewarm soapy water and a soft cloth or sponge.

**DO NOT IMMERSE GLASS SHADES IN HOT WATER. DO NOT PUT GLASS SHADES INTO AN AUTOMATIC DISHWASHER.**

**WARNING:** Make sure the power is off at the electrical panel box before you attempt any repairs. Refer to the section, "Making Electrical Connections".

# 17. TROUBLESHOOTING

<b>Problem</b>	<b>Solution</b>
Fan will not start.	<ol style="list-style-type: none"><li>1. Check circuit fuses or breakers.</li><li>2. Check line wire connections to the fan . <b>CAUTION:</b> Make sure main power is off.</li></ol>
Fan sounds noisy.	<ol style="list-style-type: none"><li>1. Make sure all motor housing screws are snug.</li><li>2. Make sure the screws that attach the fan blade bracket to the motor hub is tight.</li><li>3. Make sure wire nut connections are not rubbing against each other or the interior wall of the switch housing. <b>CAUTION:</b> Make sure main power is off.</li><li>4. Allow a 24-hour "breaking-in" period. Most noise associated with a new fan disappear during this time.</li><li>5. If using an optional light kit, make sure the screws securing the glassware are tight. Check that light bulb is also secure.</li><li>6. Do not connect the fan with wall mounted variable speed control(s).</li><li>7. Make sure the upper canopy is a short distance from the ceiling. It should not touch the ceiling.</li></ol>
Remote control malfunction.	<ol style="list-style-type: none"><li>1. Do not connect the fan with wall mounted variable speed control(s).</li><li>2. Re-do learning process.</li></ol>
Fan wobble.	<ol style="list-style-type: none"><li>1. Check that all blade and blade arm screws are secure.</li><li>2. Most fan wobbling problems are caused when blade levels are unequal. Check this level by selecting a point on the ceiling above the tip of one of the blades. Measure this distance. Rotate the fan until the next blade is positioned for measurement. Repeat for each blade. The distance deviation should be equal within 1/8".</li><li>3. If the blade wobble is still noticeable, interchanging two adjacent (side by side) blades can redistribute the weight and possibly result in smoother operation.</li></ol> <p><b>WARNING:</b> TO REDUCE THE RISK OF PERSONAL INJURY, DO NOT BEND THE BLADE ARM WHILE INSTALLING, BALANCING THE BLADES, OR CLEANING THE FAN. DO NOT INSERT FOREIGN OBJECTS BETWEEN ROTATING FAN BLADES.</p>



***Lisez et conservez ces instructions***

---

---

***Instructions d'installation***

***Modèle :AC40952***

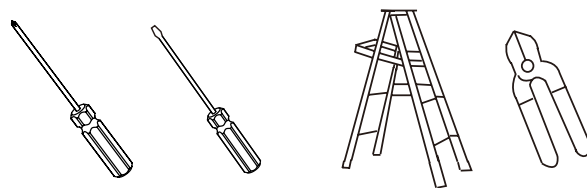


**Kenda Linghting(BC) inc.  
#110,6780 Denett Place  
Delta,BC V4G 1N4  
Canada  
Tel:(604)952-5510  
Fax:(604)952-5513**

***Poids du ventilateur:6.5KGS***

# 1. Outils et matériel requis

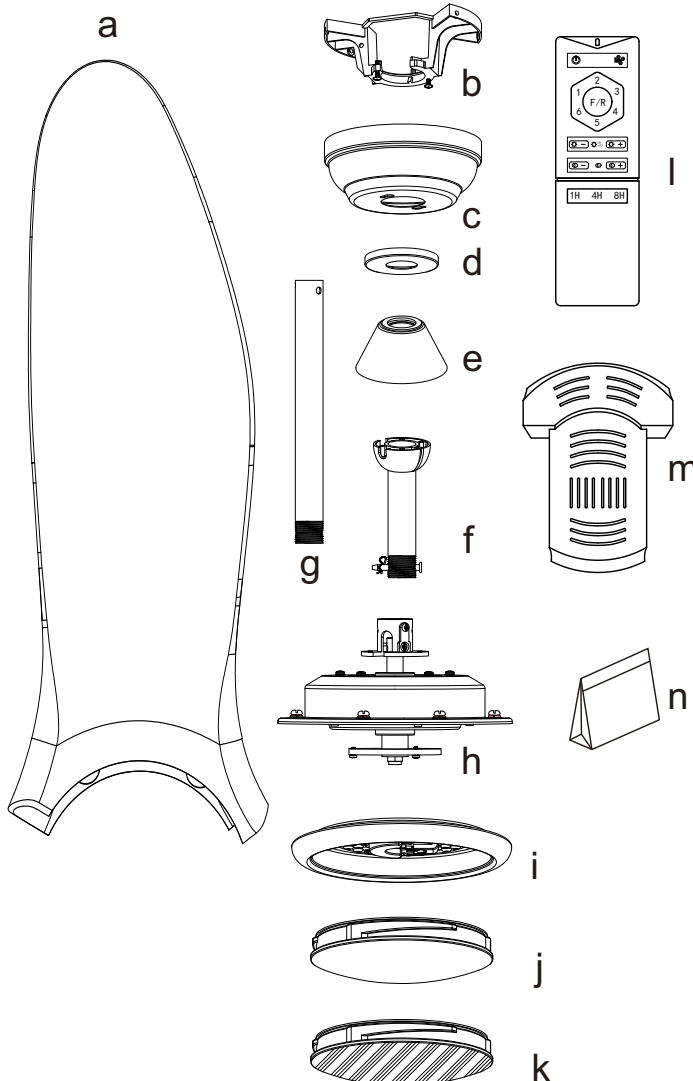
- Tournevis cruciforme
- Tournevis plat
- Escabeau
- Pince coupante



# 2. Contenu de l'emballage

Déballer le ventilateur et vérifier son contenu.  
Vous devriez trouver les éléments suivants :

- a. Jeu de pales (3)
  - b. Support de suspension
  - c. Dôme principal
  - d. Cache-dôme décoratif
  - e. Protège-accouplement
  - f. Ensemble tige de suspension 5 pouces
  - g. Tige de suspension 10 pouces
  - h. Ensemble moteur du ventilateur
  - i. Module d'éclairage LED
  - j. Abat-jour
  - k. Capot inférieur
  - l. Ensemble émetteur
  - m. Récepteur
- Quincaillerie d'emballage
1. Quincaillerie de fixation & vis de câble de sécurité :  
Vis à bois (3), Rondelles plates (3), Rondelles Grower (3), Vis mécaniques (2), Rondelles plates (2), Rondelles Grower (2)
  2. Quincaillerie de fixation des pales :  
Vis pour pales (1),
  3. Kit d'équilibrage



### 3. Règles de sécurité

1. Pour réduire les risques d'électrocution, assurez-vous d'avoir coupé l'alimentation électrique au niveau du disjoncteur ou du fusible avant de commencer.
2. Tous les câblages doivent être conformes au Code national d'électricité et aux réglementations locales. L'installation électrique doit être réalisée par un électricien qualifié et certifié.
3. **AVERTISSEMENT:** Pour réduire les risques d'électrocution, ce ventilateur doit être installé avec un interrupteur mural isolant.
4. **AVERTISSEMENT:** Pour réduire les risques de blessures, utilisez uniquement les deux vis en acier (et rondelles frein) fournies avec la boîte de dérivation pour l'installation. La plupart des boîtes de dérivation conçues pour les luminaires ne conviennent pas aux ventilateurs et devront peut-être être remplacées. Consultez un électricien qualifié en cas de doute.
5. La boîte de jonction et sa structure de support doivent être fixées solidement et pouvoir supporter au minimum 50 livres (environ 22,7 kg). Utiliser exclusivement des boîtes de jonction certifiées CUL portant la mention **"POUR SUPPORT DE VENTILATEUR"**.
6. Le ventilateur doit être installé avec une distance minimale de 7 pieds (environ 2,1 mètres) entre le bord arrière des pales et le sol.
7. Pour les ventilateurs à inversion manuelle, ne pas actionner le commutateur d'inversion pendant le mouvement des pales. Le ventilateur doit être éteint et les pales immobilisées avant d'inverser le sens de rotation.
8. Évitez de placer des objets dans la trajectoire des pales.
9. Pour éviter les blessures ou les dommages au ventilateur et autres objets, soyez prudent lors des opérations ou du nettoyage autour du ventilateur.
10. N'utilisez pas d'eau ni de détergents pour nettoyer le ventilateur ou ses pales. Un chiffon sec ou légèrement humide conviendra pour la plupart des nettoyages.
11. Après le marquage des connexions électriques, les conducteurs épissés doivent être repliés vers le haut et insérés délicatement dans la boîte de jonction. Les fils doivent être répartis séparément, avec le conducteur de terre et le conducteur de mise à la terre des équipements placés du même côté de la boîte.
12. Electrical diagrams are reference only. Light kit that are not packed with the fan must be CUL Listed and marked suitable for use with the model fan you are installing. Switches must be CUL General Use Switches. Refer to the Instructions packaged with the light kits and switches for proper assembly.

#### **AVERTISSEMENT**

Pour réduire les risques d'incendie, d'électrocution ou de blessures corporelles, installez le ventilateur uniquement sur une boîte de jonction portant la mention « Adaptée à l'installation de ventilateurs ».

#### **AVERTISSEMENT**

Pour réduire les risques de blessures, ne pliez pas les supports de pale (brides) pendant le montage ou l'installation et ne placez aucun objet dans la zone de rotation des pales.

## 4. Options d'installation

S'il n'existe pas de boîte de montage certifiée CUL, veuillez suivre les instructions suivantes. Coupez l'alimentation en retirant les fusibles ou en éteignant les disjoncteurs.

Fixez la boîte de dérivation directement sur la structure du bâtiment en utilisant des fixations et matériaux de construction appropriés. La boîte et son support doivent pouvoir supporter entièrement le poids dynamique du ventilateur (au moins 50 livres/22,7 kg). N'utilisez pas de boîtes de dérivation en plastique.

Les figures 1, 2 et 3 présentent différents exemples de méthodes d'installation de la boîte de dérivation.

**Remarque :** Un tube de suspension plus long peut être nécessaire pour maintenir un dégagement correct des pales lors de l'installation sur un plafond incliné prononcé. (Voir fig. 3)

Pour installer votre ventilateur sur un emplacement équipé d'un dispositif fixe mais sans solive de plafond, une barre de suspension d'installation comme illustrée à la figure 4 sera nécessaire.

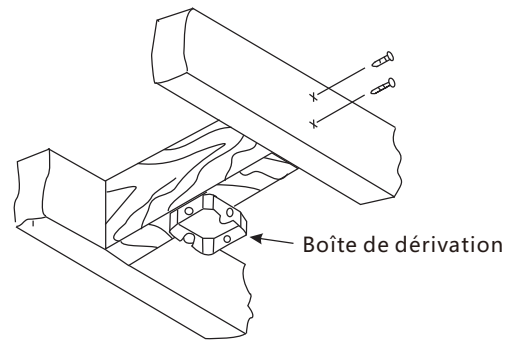


Figure 1

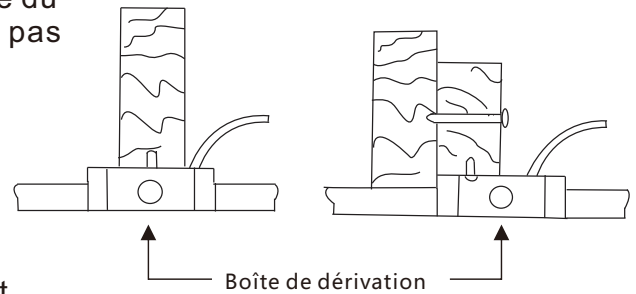


Figure 2

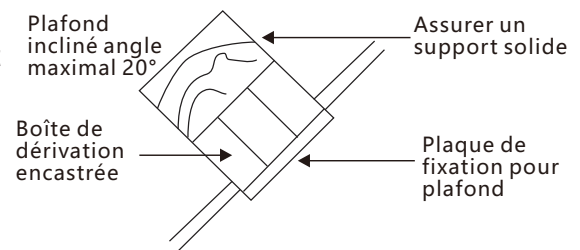


Figure 3

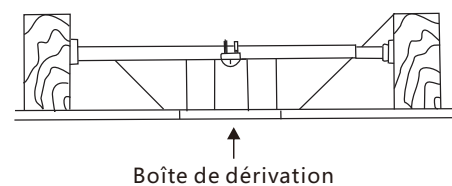


Figure 4

## 5. INSTALLATION DES PALES DU VENTILATEUR

Retirez d'abord toutes les vis de pale préinstallées sur le bloc moteur (ne les jetez pas ; elles seront nécessaires pour l'installation des pales) (Fig. 5a).

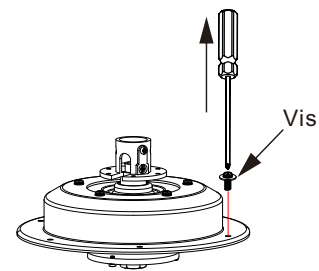


Figure 5a

Une fois que la pale du ventilateur est alignée avec le trou correspondant sur l'assemblage du moteur, fixez la pale à l'assemblage du moteur à l'aide des vis fournies. Répétez l'opération pour les deux pales restantes jusqu'à ce que toutes les pales soient installées (Voir fig. 5).

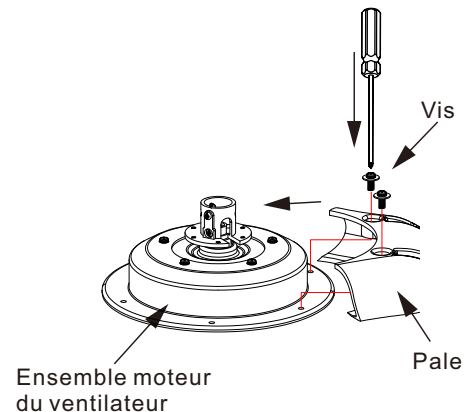


Figure 5b

**Remarque :** Veuillez suivre le manuel d'instructions et utiliser les vis correctes lors de l'installation.

## 6. INSTALLATION DU KIT D'ÉCLAIRAGE LED

**Étape 1:** Retirez 3 vis de l'adaptateur du kit d'éclairage (ne pas jeter). (Voir fig. 6)

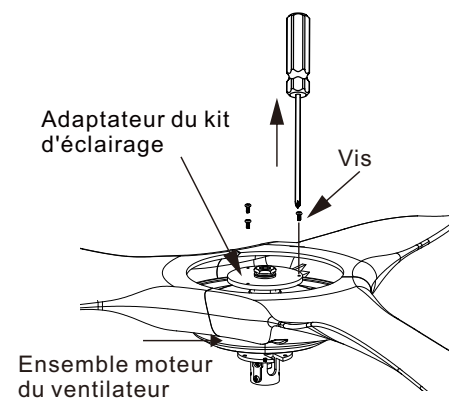


Figure 6

**Étape 2:** Faites passer le fil électrique du moteur à travers le trou du kit d'éclairage, puis connectez la fiche comme indiqué sur le schéma. (Voir fig. 7)

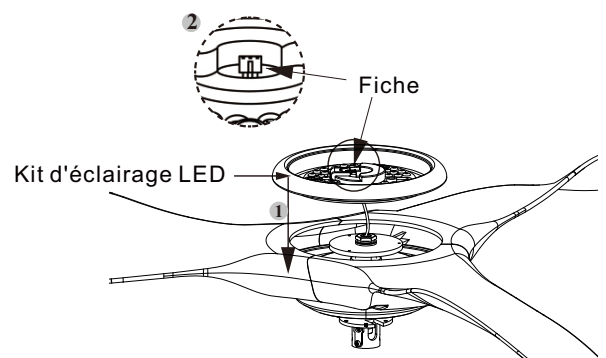
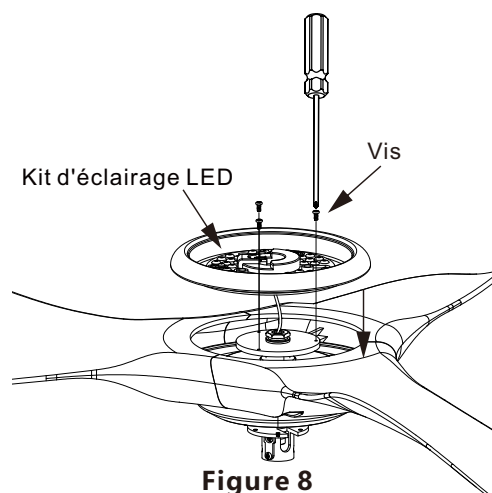


Figure 7

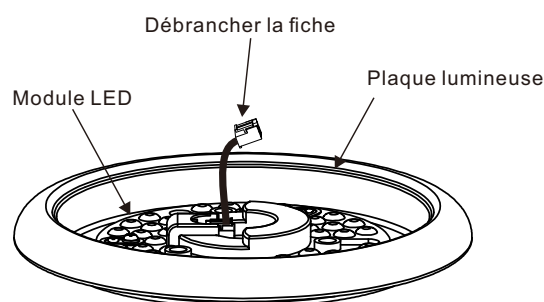
**Étape 3 :** Serrez les 3 vis précédemment retirées à l'étape 1 (Voir fig. 8)



**Figure 8**

## 7. INSTALLATION DU CAPUCHON INFÉRIEUR

Si l'éclairage n'est pas requis, débranchez la fiche du module LED et installez le capuchon inférieur (Voir fig. 9).  
Conservez l'abat-jour pour un usage ultérieur éventuel.



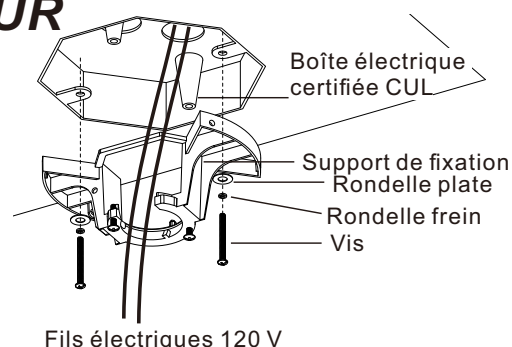
**Figure 9**

## 8. SUSPENSION DU VENTILATEUR

**IMPORTANT :** Couper impérativement l'alimentation avant toute intervention. Procédez comme suit pour installer correctement votre ventilateur :

**Étape 1 :** Faire passer les câbles d'alimentation 120 V à travers l'orifice central du support de fixation au plafond, comme illustré à la (Voir fig. 10).

**Étape 2 :** Fixer solidement le support de fixation à la boîte de jonction du plafond à l'aide des vis et rondelles fournies.

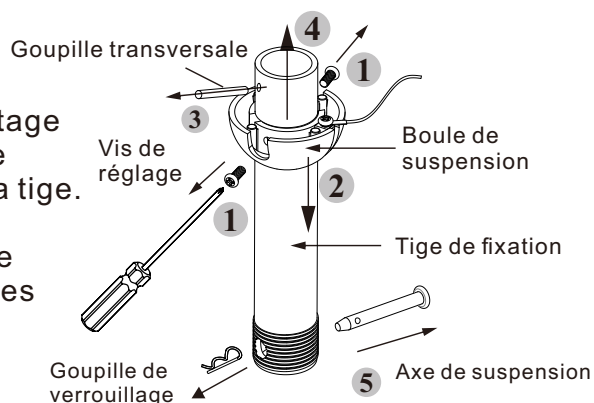


**Figure 10**

**Étape 3 :**

a. Retirer la boule de suspension de la tige de montage en desserrant la vis de fixation, enlevant la goupille transversale et en faisant glisser la boule hors de la tige.

b. Retirer la goupille de suspension et la goupille de verrouillage de la tige de montage, puis desserrer les vis de fixation du raccord (voir fig. 11).



**Figure 11**

#### Étape 4 :

Desserrer la vis du raccord du câble de sécurité, puis retirer le raccord du câble. Conserver le raccord pour usage ultérieur. (Voir fig. 12)

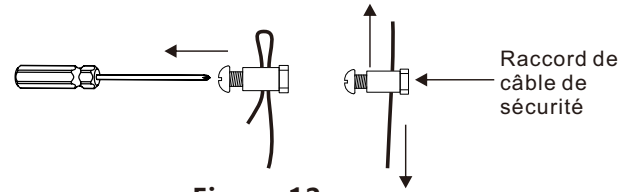


Figure 12

**Étape 5 :** Faire passer les câbles électriques et le raccord du câble de sécurité (sortant du haut du moteur) à travers le cache de raccordement, le cache de dôme, le dôme puis la boule/tige de suspension. Consulter la (Voir fig. 13).

**Étape 6 :** Visser la tige de suspension dans le raccord du moteur jusqu'à l'alignement des trous (voir fig. 13). Insérer délicatement la goupille de suspension à travers les trous du collet et de la tige en prenant soin de ne pas coincer les câbles internes. Enfin, enfoncer la goupille de verrouillage dans le trou terminal jusqu'au claquement audible (voir fig. 13).

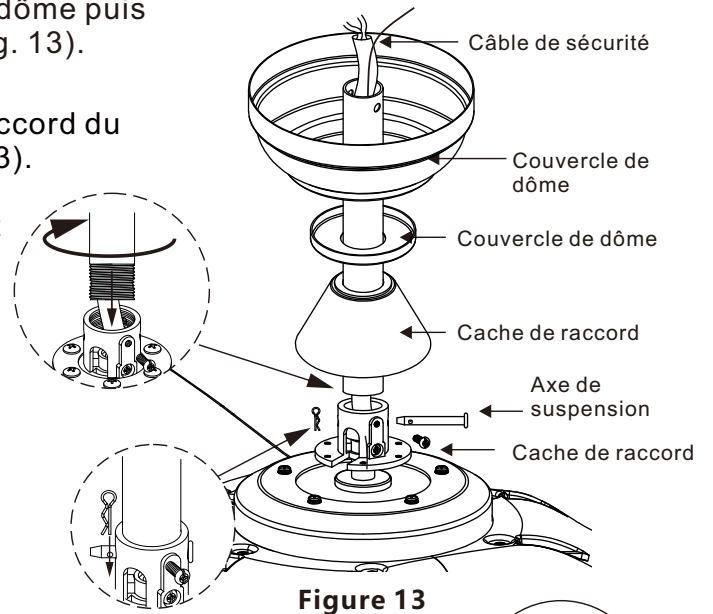


Figure 13

#### Étape 8.

1. Réinstallez la boule de suspension sur la tige en suivant les étapes inverses de (Étape 3) (Voir fig. 14)

2. Réinstallez le coupleur du câble de sécurité sur le câble en suivant les étapes inverses de (Étape 4) (Voir fig. 14a)

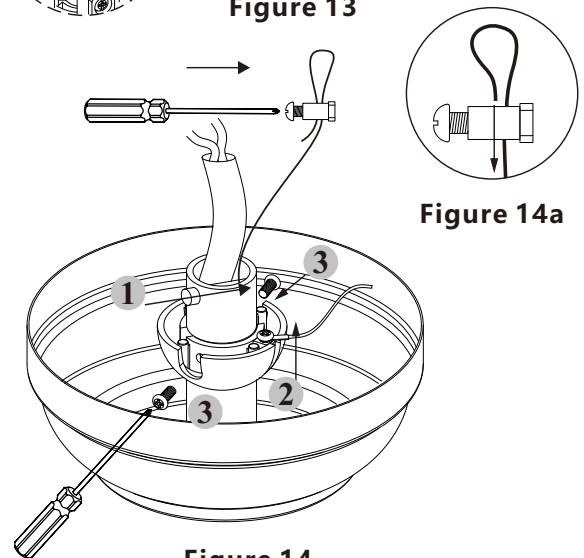


Figure 14a

Figure 14

**Étape 9.** Placez la boule de la tige dans la douille du support de suspension (Voir fig. 15), puis faites pivoter l'ensemble du ventilateur et de la tige jusqu'à ce que la languette du support s'aligne avec la fente de la boule.

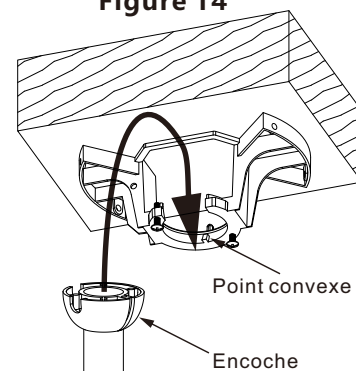


Figure 15

## 9. RACCORDEMENTS ÉLECTRIQUES

**AVERTISSEMENT :** Pour éviter tout risque d'électrocution, couper impérativement l'alimentation au niveau du tableau électrique principal avant tout raccordement.

**Étape 1 :** (Fig. 16) Insérer le récepteur dans le support de fixation, face plane du récepteur orientée vers le plafond.

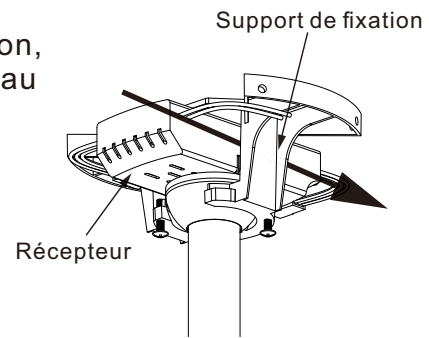


Figure 16

### Raccordements électriques moteur-récepteur : (Fig. 17)

Connecter le fil rouge (**MOTOR 1**) du récepteur au fil rouge (**MOTOR 1**) du ventilateur à l'aide d'un domino.  
Connecter le fil marron (**MOTOR 2**) du récepteur au fil marron (**MOTOR 2**) du ventilateur à l'aide d'un domino.  
Connecter le fil gris (**MOTOR 3**) du récepteur au fil gris (**MOTOR 3**) du ventilateur à l'aide d'un domino.

Connecter le fil blanc (**éclairage**) du récepteur au fil blanc (**éclairage**) du ventilateur avec un domino.  
Connecter le fil bleu (**éclairage**) du récepteur au fil bleu (**éclairage**) du ventilateur avec un domino.  
Connecter le fil jaune (**éclairage**) du récepteur au fil jaune (**éclairage**) du ventilateur avec un domino.

**Étape 2 :** (Fig. 17) Connecter le fil noir (**phase**) du plafond au fil "AC in L" du récepteur et le fil blanc (**neutre**) au fil "AC in N", puis serrer avec les dominos fournis.

**Étape 3 :** (Fig. 17) Si la boîte de jonction dispose d'un fil de terre (vert ou cuivre nu), le connecter aux fils de terre du ventilateur et du récepteur. Sinon, connecter le fil de terre du support aux fils de terre du ventilateur et du récepteur. Fixer les connexions avec un domino fourni. Après raccordement, séparer les fils : placer les fils vert et blanc d'un côté de la boîte, et les autres fils de l'autre côté. Enfin, insérer soigneusement les connexions dans la boîte.

**Remarque :** La distance maximale entre le ventilateur et l'unité émettrice ne doit pas dépasser 20 pieds pour garantir une transmission optimale du signal.

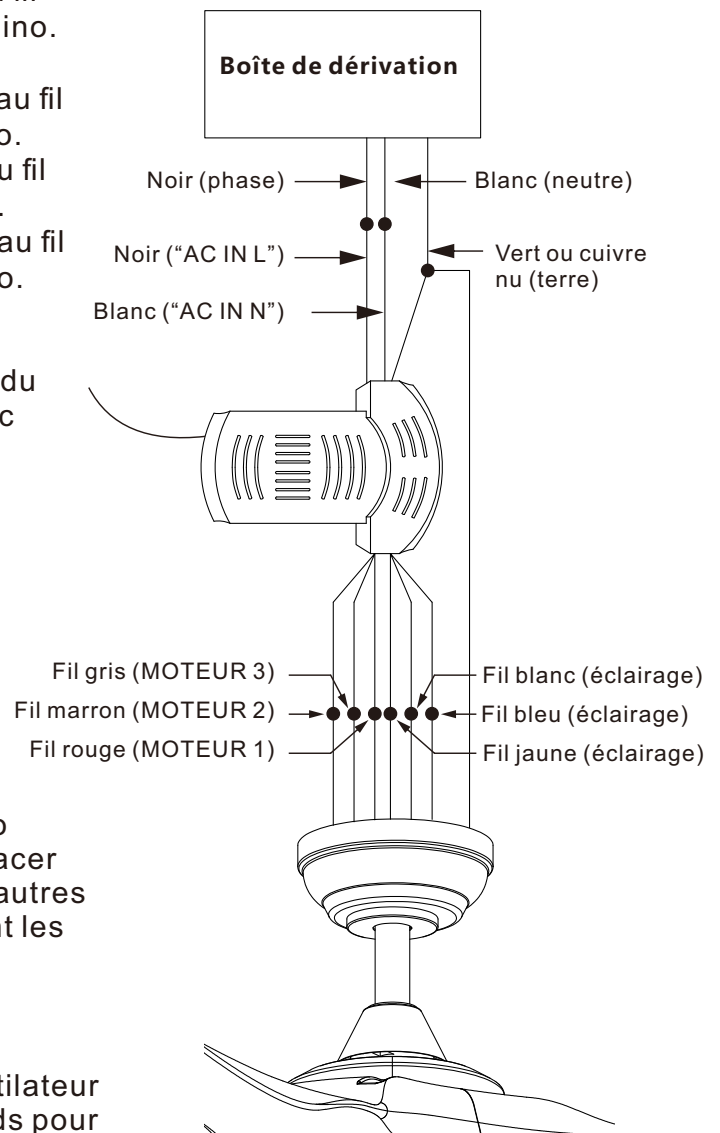


Figure 17

## 10. INSTALLATION DU SUPPORT DE SÉCURITÉ

Un câble de sécurité est fourni pour prévenir la chute du ventilateur. Fixer solidement le câble à la solive du plafond avec une vis et une rondelle, comme illustré à la (Voir fig.18)

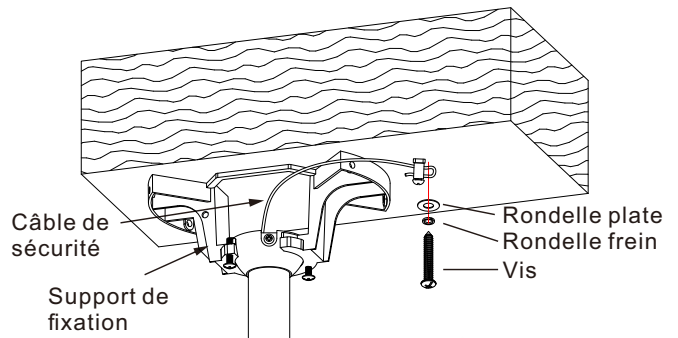


Figure 18

## 11. FINALISATION DE L'INSTALLATION

**Étape 1 :** Ranger soigneusement les connexions dans la boîte de jonction du plafond.

**Étape 2 :** Desserrer les deux vis du support. Faire glisser le dôme vers le support de fixation, aligner l'encoche en forme de clé du dôme avec les vis du support, tourner le dôme jusqu'à son verrouillage dans la partie étroite de l'encoche, puis resserrer les deux vis. (Voir fig. 19)

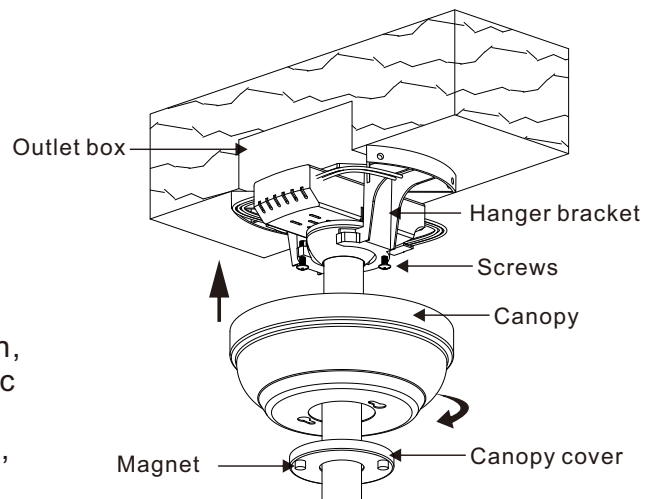
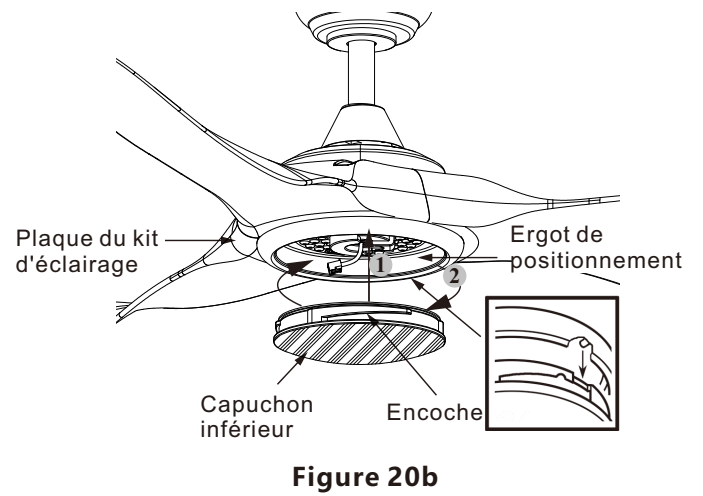
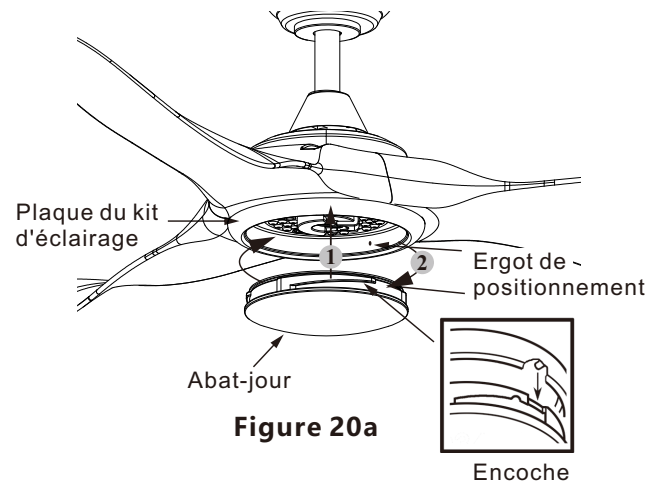


Figure 19

**Étape 3 :** Positionner le cache magnétique du dôme par-dessus le dôme et l'emboîter.

**AVERTISSEMENT :** Avant fixation du dôme, vérifier impérativement que la languette du support est correctement engagée dans la rainure de la boule de suspension. Un mauvais emboîtement pourrait endommager les câbles électriques.

**Étape 4 :** Installer l'abat-jour contre la plaque du kit d'éclairage, puis le fixer au ventilateur en le tournant dans le sens horaire jusqu'à résistance modérée (**NE PAS SERRER EXCESSIVEMENT**). (Voir fig. 20a/b)



## 12. INSTALLATION DE LA PILE

Opération : Retirer le cache arrière de l'émetteur et installer les deux piles 1,5V fournies avec la télécommande.  
(Voir fig. 21)

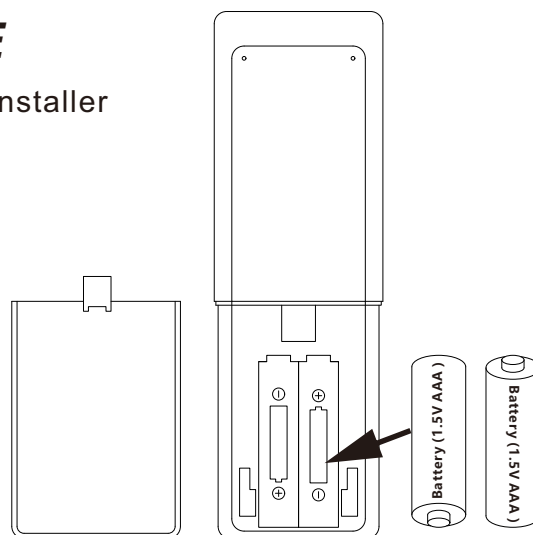


Figure 21

## 13. PROCESSUS D'APPRENTISSAGE

Le récepteur et l'émetteur sont pré-appairés en usine. En cas de dysfonctionnement du ventilateur ou d'interférence avec un autre appareil, procédez au réappairage comme suit :

Dans les 10 secondes après la mise sous tension, maintenez la touche "⏻" de l'émetteur enfoncée pendant 5 secondes. Un bip du ventilateur confirmera l'appairage réussi avec l'émetteur. (Voir fig. 22)

**Remarque :** En présence de plusieurs ventilateurs à proximité, couper impérativement l'alimentation des autres unités pendant l'appairage pour éviter les interférences radio.

### 13a. AJOUT D'UNE TÉLÉCOMMANDE SUPPLÉMENTAIRE (OPTIONNEL)

Après avoir coupé l'alimentation principale du ventilateur, répétez la procédure d'appairage ci-dessus avec la nouvelle télécommande.

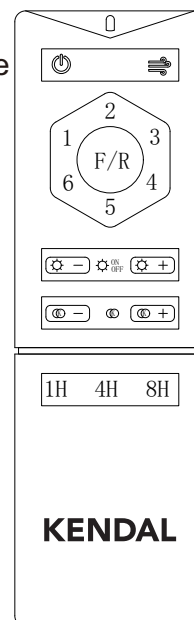


Figure 22

## 14. INSTALLATION DU SUPPORT D'ÉMETTEUR

Fixer le support de télécommande à l'aide des deux vis de montage fournies. (Voir fig. 23)

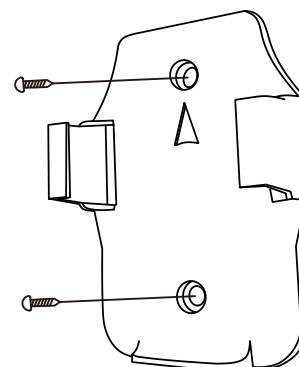



Figure 23

# 15. UTILISATION DE L'ÉMETTEUR

A. Appuyer sur la touche "  " pour éteindre le ventilateur (Cette touche sert uniquement à l'arrêt du ventilateur, ne permet pas de le démarrer, et n'affecte pas l'éclairage LED. Voir fig. 24)


B. Appuyer sur "  " pour activer le mode Brise naturelle

C. Touches 1,2,3,4,5,6 :

Ces six touches permettent de régler la vitesse du ventilateur :

- 1=Vitesse lente
- 2=Vitesse moyennement lente
- 3=Vitesse moyenne
- 4=Vitesse moyennement rapide
- 5=Vitesse rapide
- 6=Vitesse très rapide

D. Light functions

Touche "  " allumer/éteindre

Maintenir "  " enfoncé pour augmenter la luminosité

Maintenir "  " enfoncé pour réduire la luminosité

Touche "  " : permuter la température de couleur (5000K froid/4000K neutre/3000K chaud)

Maintenir "  " enfoncé pour augmenter la température de couleur

Maintenir "  " enfoncé pour diminuer la température de couleur

E. Bouton d'inversion du ventilateur 




**Mode saison chaude (rotation avant) :**

Le flux d'air descendant produit un effet réfrigérant (voir fig.25), vous permettant d'augmenter le réglage de température de votre climatiseur sans altérer votre confort.

**Mode saison froide (rotation inverse) :**

Le flux d'air ascendant brasse l'air chaud accumulé au plafond (voir fig.26), permettant de réduire le réglage de votre chauffage sans perte de confort.

F. Bouton minuterie (1h/4h/8h) :

Appuyer sur le bouton (  /  /  ) pour programmer l'arrêt automatique du ventilateur après 1, 4 ou 8 heures.

**Remarque :** Pour activer la fonction inverse du ventilateur, appuyez sur le bouton d'inversion lorsque le ventilateur est en marche (à n'importe quelle vitesse).

Les réglages de vitesse pour les saisons chaudes ou froides dépendent de facteurs tels que la taille de la pièce, la hauteur sous plafond, le nombre de ventilateurs, etc.

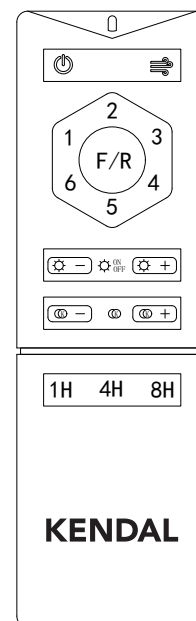


Figure 24

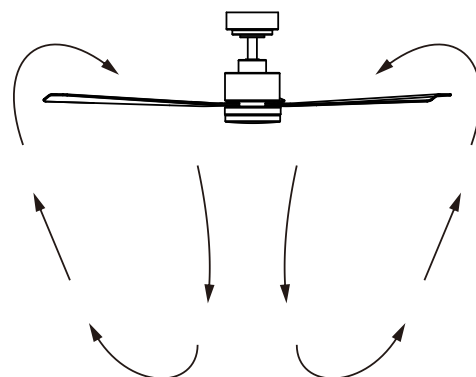


Figure 25

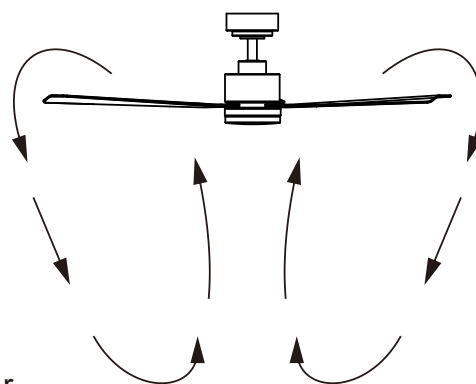


Figure 26

## **16. ENTRETIEN DE VOTRE VENTILATEUR**

Voici des conseils pour maintenir votre ventilateur en bon état :

1. En raison du mouvement naturel du ventilateur, certaines connexions peuvent se desserrer. Vérifiez les fixations, supports et attaches des pales deux fois par an pour assurer leur solidité (il n'est pas nécessaire de retirer le ventilateur du plafond).
2. Nettoyez régulièrement votre ventilateur pour préserver son apparence. Utilisez uniquement une brosse douce ou un chiffon sans peluche pour éviter les rayures. Les finitions plaquées sont laquées pour minimiser l'oxydation. Ne jamais utiliser d'eau lors du nettoyage, cela pourrait endommager le moteur, les pales en bois ou provoquer un choc électrique.
3. Pour les pales en bois plaqué, appliquez une fine couche de cire pour meubles pour une protection et un éclat supplémentaires. Masquez les petites rayures avec un peu de cire à chaussures.
4. Utilisez un chiffon légèrement humide sans peluche pour enlever la poussière des pales.
5. Aucune lubrification n'est nécessaire. Le moteur dispose de roulements à graissage permanent.
6. Pour les abat-jour en verre, nettoyez avec de l'eau tiède savonneuse et un chiffon doux ou une éponge.

***NE PAS PLONGER LES ABAT-JOUR EN VERRE DANS L'EAU CHAUDE. NE PAS LES METTRE AU LAVE-VAISSELLE.***

**AVERTISSEMENT :** Coupez impérativement l'alimentation au tableau électrique avant toute réparation. Reportez-vous à la section "Raccordements électriques".

## 17. RÉSOLUTION DES PROBLÈMES

Problème	Solution
Ventilateur ne démarre pas.	<ol style="list-style-type: none"><li>1. Vérifiez les fusibles du circuit ou les disjoncteurs.</li><li>2. Vérifiez les connexions des fils d'alimentation au ventilateur. <b>ATTENTION</b> : Assurez-vous que l'alimentation principale est coupée.</li></ol>
Le ventilateur semble bruyant.	<ol style="list-style-type: none"><li>1. Vérifiez que toutes les vis du boîtier du moteur sont bien serrées.</li><li>2. Assurez-vous que les vis fixant le support des pales au moyeu du moteur sont bien serrées.</li><li>3. Vérifiez que les connexions des dominos ne frottent pas entre elles ou contre la paroi intérieure du boîtier de l'interrupteur. <b>ATTENTION</b> : Coupez impérativement l'alimentation principale avant toute manipulation.</li><li>4. Prévoyez une période de "rodage" de 24 heures. La plupart des bruits liés à un nouveau ventilateur disparaissent durant cette période.</li><li>5. Si vous utilisez un kit d'éclairage optionnel, assurez-vous que les vis fixant les verres sont bien serrées et que l'ampoule est également bien fixée.</li><li>6. Ne connectez pas le ventilateur à un variateur de vitesse mural.</li><li>7. Veillez à ce que le plafonnier supérieur soit légèrement éloigné du plafond. Il ne doit pas être en contact direct avec celui-ci.</li></ol>
Dysfonctionnement de la télécommande.	<ol style="list-style-type: none"><li>1. Ne connectez pas le ventilateur à un variateur de vitesse mural.</li><li>2. Répétez la procédure d'appariement (mode apprentissage).</li></ol>
Problème d'oscillation du ventilateur	<ol style="list-style-type: none"><li>1. Vérifiez que toutes les vis des pales et des supports de pale sont bien serrées.</li><li>2. La plupart des problèmes d'oscillation du ventilateur sont causés par des niveaux de pales inégaux. Pour vérifier ce niveau, sélectionnez un point sur le plafond au-dessus de l'extrémité d'une pale et mesurez cette distance. Faites tourner le ventilateur jusqu'à ce que la pale suivante soit en position de mesure. Répétez pour chaque pale. L'écart de distance doit être égal à moins de 1/8 de pouce.</li><li>3. Si l'oscillation des pales est toujours visible, l'échange de deux pales adjacentes (côte à côte) peut redistribuer le poids et potentiellement améliorer le fonctionnement.</li></ol>

**AVERTISSEMENT** : POUR RÉDUIRE LE RISQUE DE BLESSURE, NE PLIEZ PAS LE SUPPORT DE PALE LORS DE L'INSTALLATION, DE L'ÉQUILIBRAGE DES PALES OU DU NETTOYAGE DU VENTILATEUR. NE PAS INSÉRER D'OBJETS ÉTRANGERS ENTRE LES PALES DU VENTILATEUR EN ROTATION.