

KTS-MW3-UV-KO-K2

LED MICROWAVE OCCUPANCY/DAYLIGHT SENSOR

DESCRIPTION

LED Microwave Occupancy/Daylight Sensor I
 Performance Parameters Set by Remote Control
 (sold separately)

INPUT VOLTAGE: 12Vdc \pm 2Vdc

MICROWAVE FREQUENCY: 5.8 GHz \pm 75MHz

OUTPUT VOLTAGE: 0–10Vdc

TRANSMIT POWER: <0.5mW



PRODUCT FEATURES

- Adjustable angle sensor head; Optional extension neck and white housing color; Ideal for vapor tight fixtures
- Partial discharge (PD) dual-technology differentiates artificial light brightness from natural light and automatically turns off light when ambient brightness exceeds preset lux level
- Microwave sensing technology detects motion in the coverage area and automatically turns off light when motion is no longer detected
- Powered by dedicated 12Vdc power source, included with sensor kit, OR 12V AUX tap directly from LED driver (if applicable)
- Installs through standard ½" knock-out (KO) on fixtures
- Adjustable performance parameters set by Keystone remote control (sold separately)
- Ambient operating temperature: –30°C/–22°F to 60°C/140°F
- IP Rating: IP65

PERFORMANCE SPECIFICATIONS

Microwave Frequency	Input Voltage	Input Current	Output Voltage	Transmit Power	Stand-By Power	Max Mounting Height	Detection Angle	Detection Range
5.8GHz	12Vdc	30mA	0–10V	<0.5mW	<0.5W	49' (ceiling mount)	Ceiling mount: 360° Wall mount: 150°	Ceiling mount: Ø49' max Wall mount: 66' max

ADJUSTABLE SETTINGS

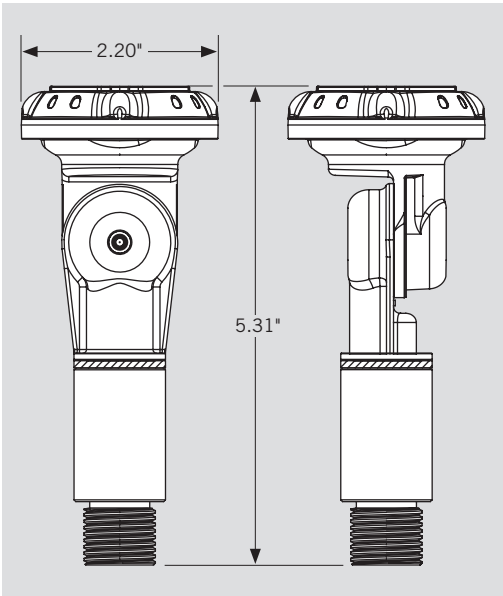
Brightness	Sensitivity	Hold Time	Daylight Threshold	Stand-By Time	Stand-By Dimming Level
70%	20%	10 sec	10 Lux	1 min	10%
80%	50%	1 min	30 Lux	30 min	20%
90%	75%	10 min	50 Lux	60 min	30%
100%	100%	30 min	100 Lux	∞	50%
			Disable		

FACTORY PRESETS

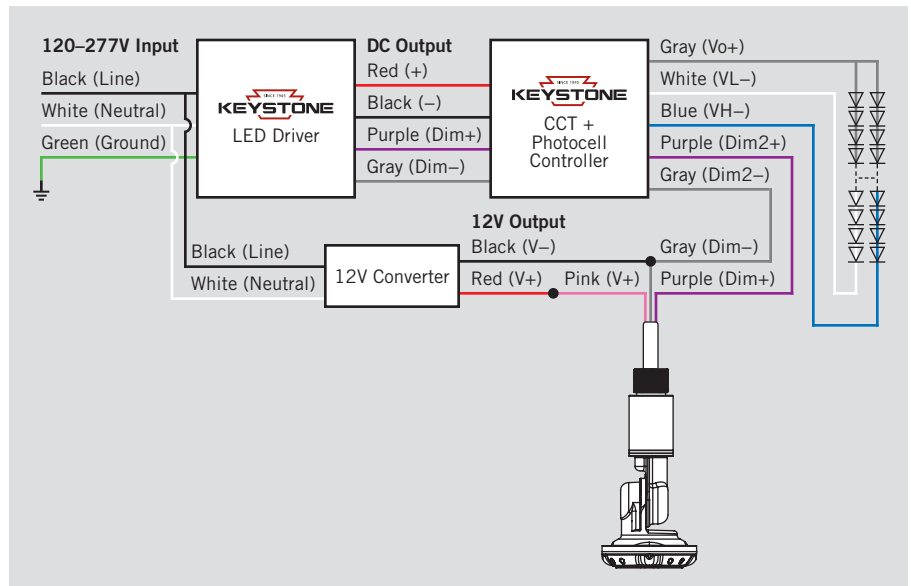
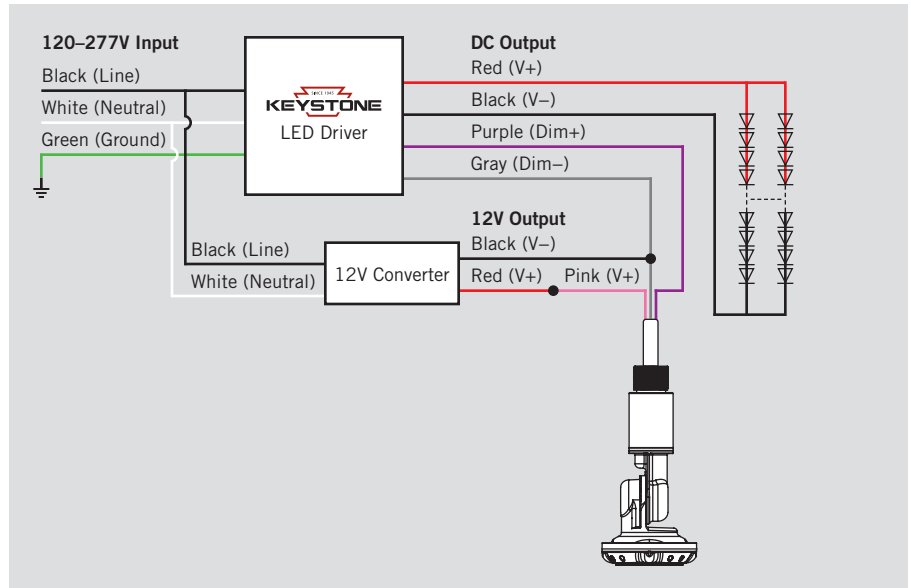
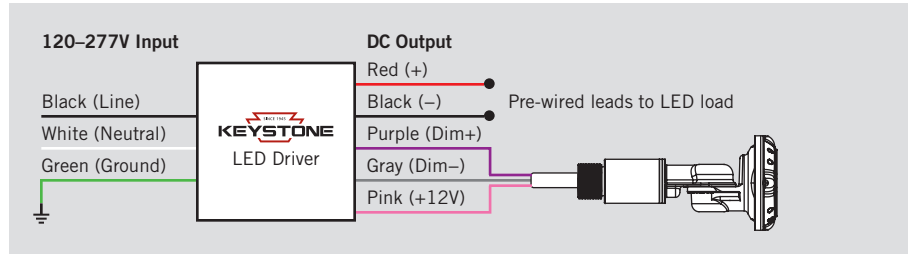
Hold Time	Daylight Threshold	Stand-By Time	Stand-By Dim Level
10 min	Disabled	∞	50%

KTS-MW3-UV-KO-K2
LED MICROWAVE OCCUPANCY/DAYLIGHT SENSOR

PHYSICAL SPECIFICATIONS



WIRING DIAGRAMS



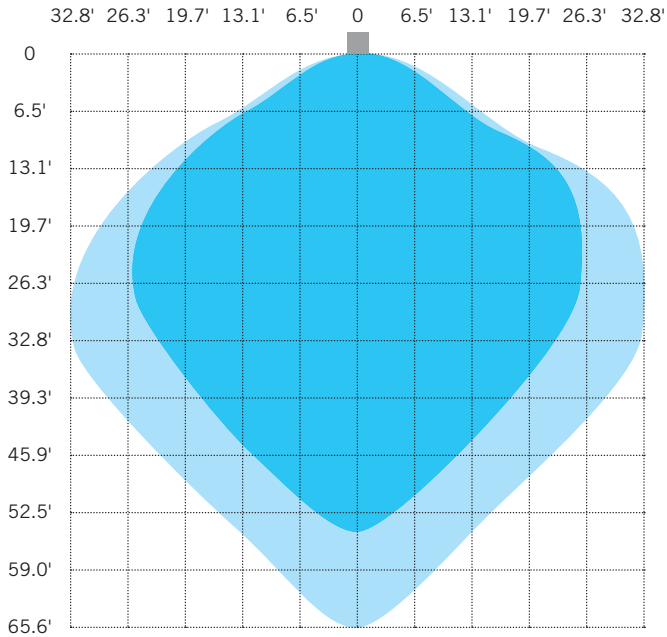


KTS-MW3-UV-KO-K2

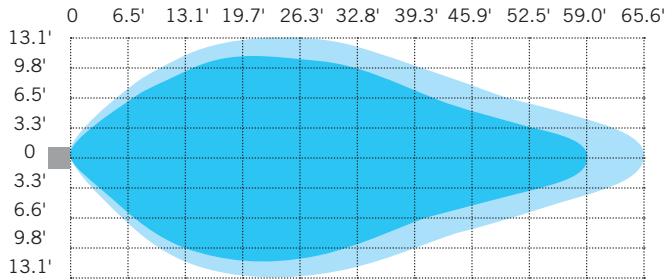
LED MICROWAVE OCCUPANCY/DAYLIGHT SENSOR

DETECTION COVERAGE

CEILING MOUNT (Top View)



WALL MOUNT (Top View)



Well-covered Covered

KTS-MW3-UV-KO-K2
LED MICROWAVE OCCUPANCY/DAYLIGHT SENSOR

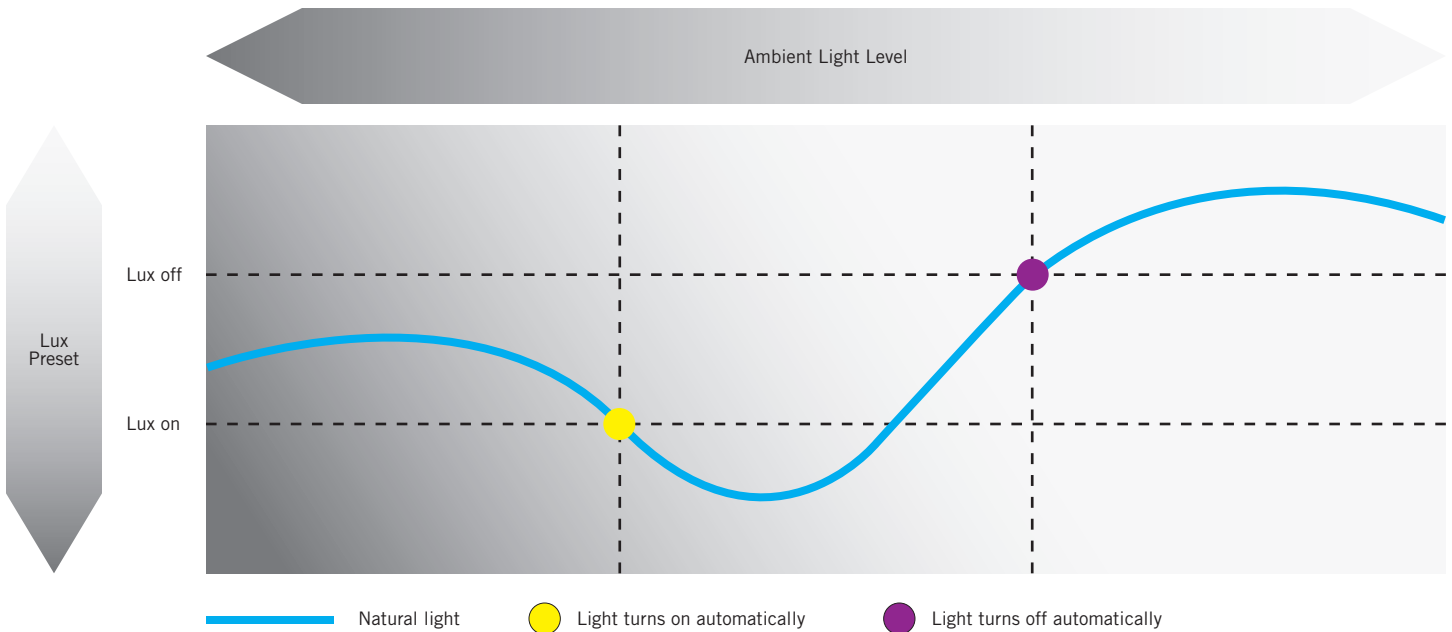
LUX ON/OFF SETTING

FUNCTION

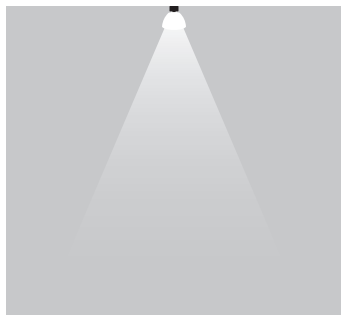
Partial discharge (PD) dual-technology differentiates artificial light brightness from natural light and automatically turns off light when ambient brightness exceeds preset lux level.

Lux-Off function preconditions:

- Stand-by period setting: ∞
- Stand-by dimming level setting: 10%, 20%, 30%, or 50%
- Daylight threshold setting: 10 Lux, 30 Lux, 50 Lux, or 100 Lux



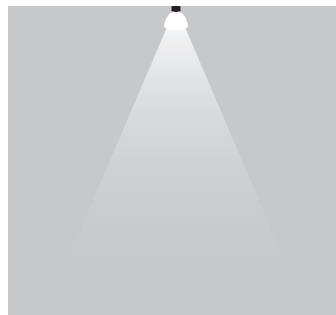
APPLICATION



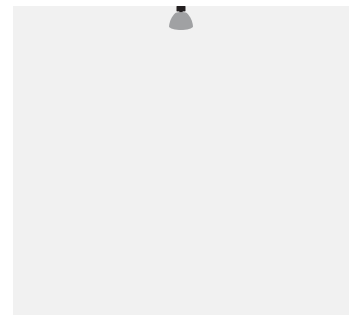
When ambient light is lower than preset lux level, lighting will turn on and remain at preset stand-by dimming level.



With insufficient ambient light, when motion is detected, lighting will turn on and remain at preset brightness level until motion is no longer detected for duration of preset hold time.



If no further motion is detected after duration of hold time, lighting will dim and remain at preset brightness level for duration of standby time or until ambient light level exceeds preset lux level.

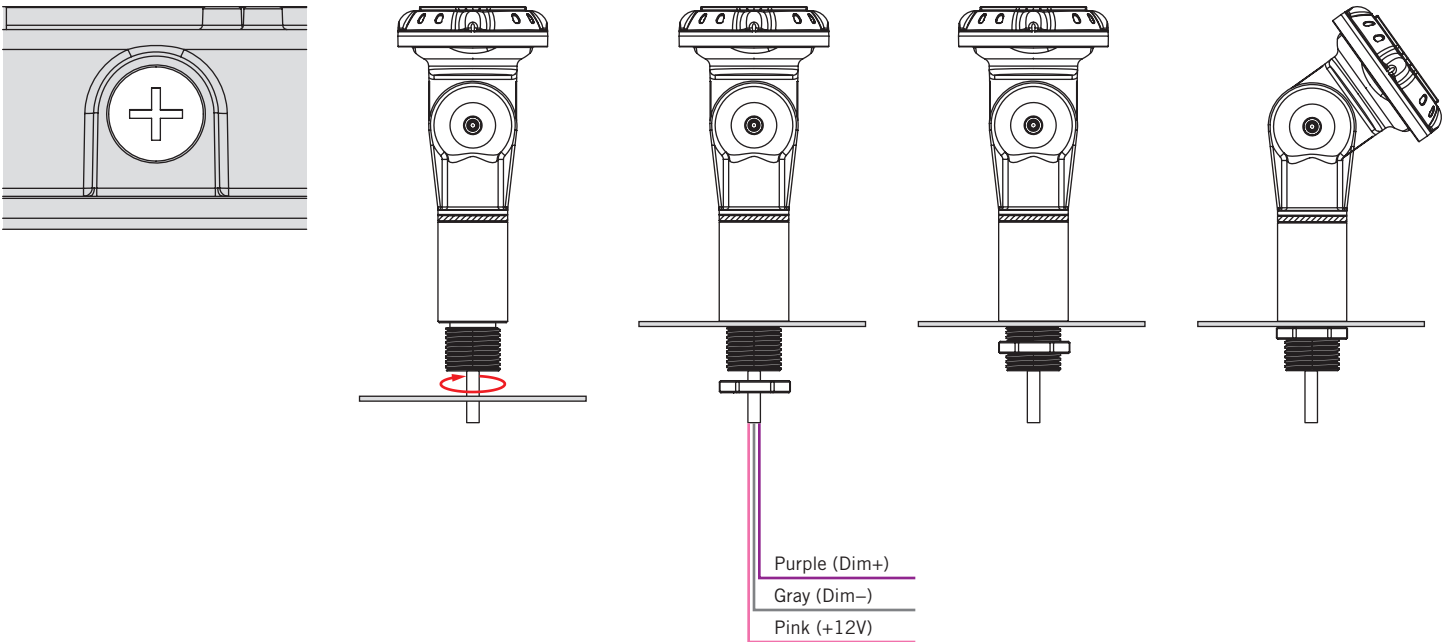


When ambient light reaches preset lux level, lighting will turn off and remain off until ambient light level falls below preset lux level.

KTS-MW3-UV-KO-K2
LED MICROWAVE OCCUPANCY/DAYLIGHT SENSOR

INSTALLATION

1. Ensure power is off to the fixture.
2. Remove 1/2" knock-out (KO) plug from applicable fixture.
3. Twist sensor into the KO plug hole.
4. Wire sensor to fixture.
5. Re-connect power when ready.
6. Adjust sensor angle to desired position.
7. Program desired settings as needed with Keystone Remote Control.



ACCESSORY (SOLD SEPARATELY)

REMOTE CONTROL

Catalog Number	Description	UPC	Easy Code
KTS-MW3-REMOTECONTROL	Remote Control for KTS-MW3-12V-XX Sensors, Sets/adjusts all sensor performance parameters	843654132020	XSR-61





KTS-MW3-UV-KO-K2

LED MICROWAVE OCCUPANCY/DAYLIGHT SENSOR

ORDERING INFORMATION

ORDER CODE	PACK QTY.	UPC	Easy Code
KTS-MW3-UV-KO-K2	1	843654134352	TBV-76

CATALOG NUMBER BREAKDOWN

KTS-MW3-UV-KO-K2

1

2

3

4

5

- 1 Keystone Technologies Sensor
- 2 Microwave Sensor Form Factor
- 3 0-10V
- 4 Knock Out
- 5 Kit 2