

KICHLER®

Instruction Manual
Model: 310065

65" SOLEN

Product images may vary slightly from actual product.



READ AND SAVE THESE INSTRUCTIONS

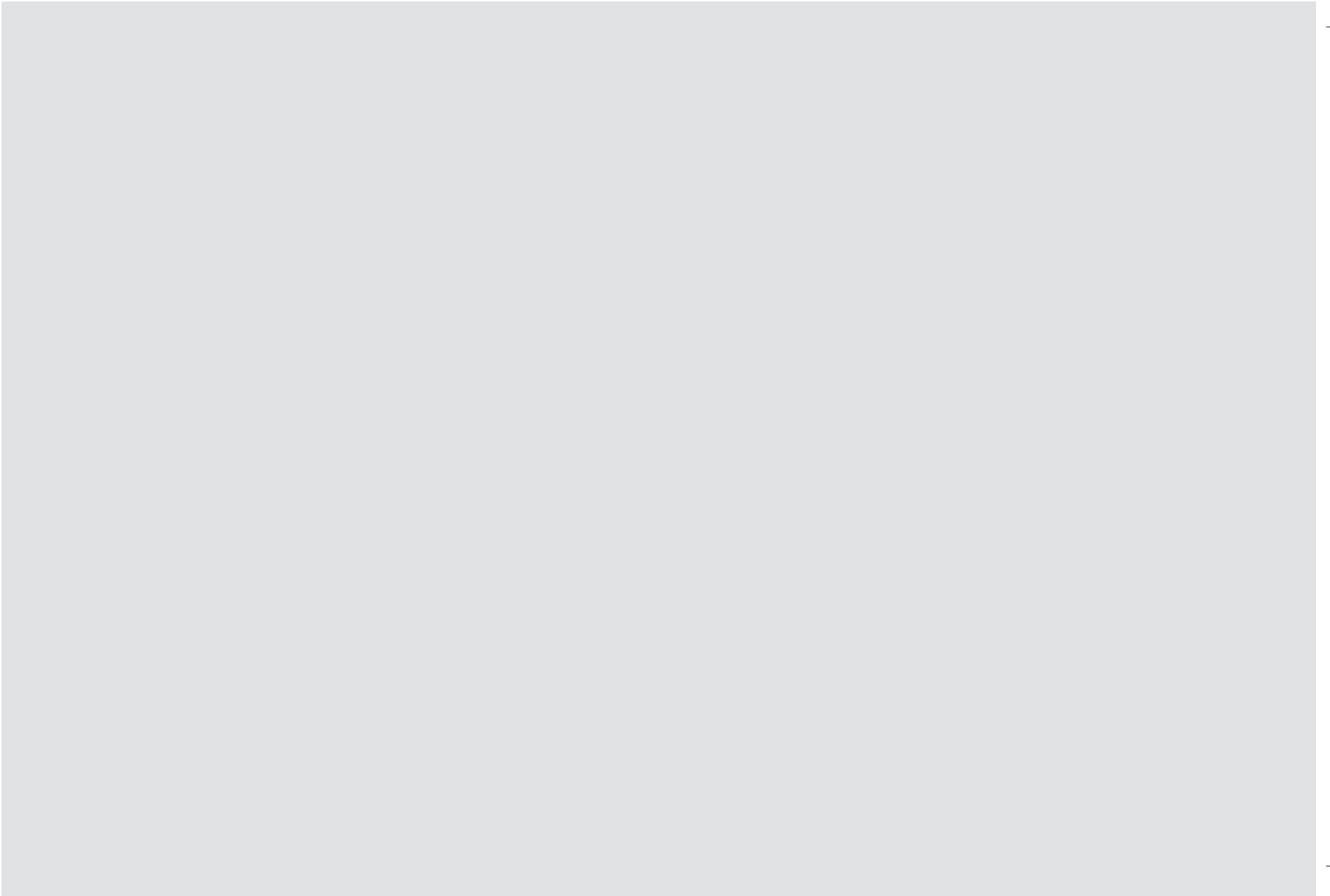


TABLE OF CONTENTS

SAFETY RULES.....	4	INSTALLING THE LED LIGHT KIT AND LIGHT COVER.....	14
TOOLS REQUIRED.....	6	OPERATING INSTRUCTIONS.....	15
PACKAGE CONTENTS.....	6	INSTALLING WALL BRACKET (HANDSET TRANSMITTER).....	16
MOUNTING OPTIONS.....	7	TROUBLESHOOTING.....	18
HANGING THE FAN.....	8	FCC INFORMATION.....	19
INSTALLING THE RECEIVER.....	10		
ELECTRICAL CONNECTIONS.....	11		
FINISHING THE INSTALLATION.....	12		
ATTACHING THE FAN BLADES.....	13		
INSTALLING THE LIGHT PLATE.....	13		

SAFETY RULES

READ AND SAVE THESE INSTRUCTIONS

1. **CAUTION – RISK OF SHOCK:** Disconnect Power at the main circuit breaker panel or main fusebox before starting and during the installation.
2. **WARNING:** All wiring must be in accordance with the National Electrical Code “ANSI/NFPA 70” and local electrical codes. Electrical installation should be performed by a qualified licensed electrician.
3. **WARNING:** To reduce the risk of electric shock, this fan must be installed with a general-use, isolating wall control/switch.
4. **WARNING:** Not suitable for use with solid-state speed controls.
5. **WARNING:** To reduce the risk of fire, electric shock, or personal injury, mount to outlet box marked “acceptable for fan support of 15.9 kg (35 lbs.) or less” and use mounting screws provided with the outlet box. Most outlet boxes commonly used for the support of light fixtures are not acceptable for fan support and may need to be replaced. Due to the complexity of the installation of this fan, a qualified licensed electrician is strongly recommended.
6. The outlet box and support structure must be securely mounted and capable of reliably supporting a minimum of 15.9 kg (35 pounds). Use only cULus Listed outlet boxes marked “Acceptable for Fan Support of 15.9 kg (35 lbs) or less”.
7. The fan must be mounted with a minimum of 2.1 m (7 feet) clearance from the trailing edge of the blades to the floor.
8. To operate the reverse function on this fan, press the reverse button while the fan is running.
9. Avoid placing objects in the path of the blades.
10. **WARNING:** make sure the power is disconnected before cleaning your fan.
11. To avoid personal injury or damage to the fan and other items, be cautious when working around or cleaning the fan.
12. Do not use water or detergents when cleaning the fan or fan blades. A dry dust cloth or lightly dampened cloth will be suitable for most cleaning.
13. After making electrical connections, spliced conductors should be turned upward and pushed carefully up into outlet box. The wires should be spread apart with the grounded conductor and the equipment-grounding conductor on one side of the outlet box and the ungrounded conductor on the other side of the outlet box.
14. Electrical diagrams are reference only. Light kits that are not packed with the fan must be cULus Listed and marked suitable for use with the model fan you are installing. Switches must be cULus General Use Switches. Refer to the Instructions packaged with the light kits and switches for proper assembly.
15. All set screws must be checked, and retightened where necessary, before installation.
16. N.W.: 10.5 kgs (23.15 LBS) / G.W.: 13.64 kgs (30.07 LBS).

WARNING
TO REDUCE THE RISK OF PERSONAL INJURY, DO NOT BEND THE BLADE BRACKETS DURING ASSEMBLY OR AFTER INSTALLATION. DO NOT INSERT OBJECTS IN THE PATH OF THE BLADES.

SAFETY RULES (continued)

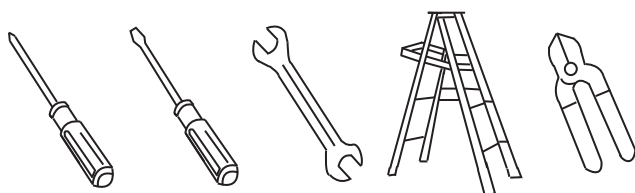
WARNING

- **INGESTION HAZARD:** This product contains a button cell or coin battery.
- **DEATH** or serious injury can occur if ingested.
- A swallowed button cell or coin battery can cause **Internal Chemical Burns** in as little as **2 hours**.
- **KEEP** new and used batteries **OUT OF REACH of CHILDREN**.
- **Seek immediate medical attention** if a battery is suspected to be swallowed or inserted inside any part of the body.
- Remove and immediately recycle or dispose of used batteries according to local regulations and keep away from children. Do NOT dispose of batteries in household trash or incinerate.
- Even used batteries may cause severe injury or death.
- Call a local poison control center for treatment information.
- Battery Type: CR2032 and Nominal Battery Voltage: 3V.
- Non-rechargeable batteries are not to be recharged.
- Do not force discharge, recharge, disassemble, heat above 40° C or incinerate. Doing so may result in injury due to venting, leakage or explosion resulting in chemical burns.
- Ensure the batteries are installed correctly according to polarity (+ and -).
- Do not mix old and new batteries, different brands or types of batteries, such as alkaline, carbon-zinc, or rechargeable batteries.
- Remove and immediately recycle or dispose of batteries from equipment not used for an extended period of time according to local regulations.
- Always completely secure the battery compartment. If the battery compartment does not close securely, stop using the product, remove the batteries, and keep them away from children.



TOOLS REQUIRED

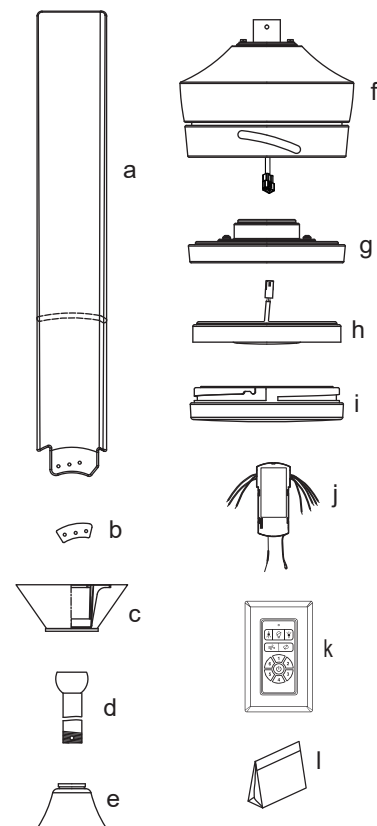
Philips screw driver
Blade screw driver
11 mm wrench
Step ladder
Wire cutters



PACKAGE CONTENTS

Unpack your fan and check the contents. You should have the following items:

- a. Fan blades (6)
- b. Blade support plates (6)
- c. Canopy & Ceiling mounting bracket
- d. Ball/downrod assembly
- e. Coupling cover
- f. Fan motor assembly
- g. Light plate
- h. 18W LED light kit
- i. Light cover
- j. Receiver
- k. Wall Transmitter
- l. Part bag contents
 - 1) Mounting hardware:
wood screws (2), flat washers (2),
star washers (2), wire nuts (3),
screws (2)
 - 2) Blade attachment hardware:
screws (18), lock washers (18)
 - 3) Balance Kit



MOUNTING OPTIONS

If there isn't an existing UL (cUL for Canadian Installation) listed mounting box, then read the following instructions. Disconnect the power by removing fuses or turning off circuit breakers.

Secure the outlet box directly to the building structure. Use appropriate fasteners and building materials. The outlet box and its support must be able to fully support the moving weight of the fan (at least 50 lbs). Do not use plastic outlet boxes.

Figures 1, 2 and 3 are examples of different ways to mount the outlet box.

NOTE: If you are installing the ceiling fan on a sloped (vaulted) ceiling, you may need a longer downrod to maintain proper clearance between the tip of the blade and the ceiling. A minimum clearance of 12" is suggested for optimal operation.

NOTE: Depending on the location you have selected for installation, you may need to purchase and install a "Joist Hanger" for the support of the outlet box. Make sure the joist hanger you purchase has been designed for use with ceiling fans. (Fig. 4)

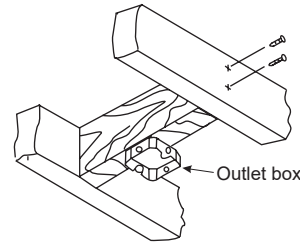


Fig. 1

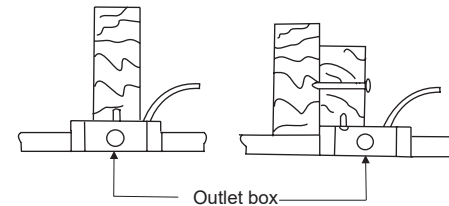


Fig. 2

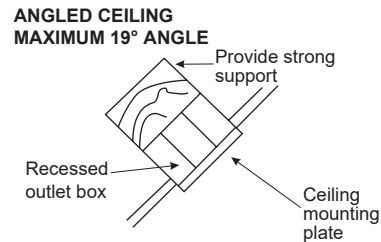
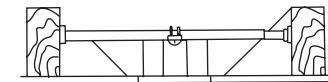


Fig. 3



Outlet box
Fig. 4

HANGING THE FAN

CAUTION: REMEMBER to turn off the power before you begin.

To properly install your ceiling fan, follow the steps below.

Step 1. Separate the canopy pre-assembly by removing the canopy cover and loosening the bracket screws. (Fig. 5)

Step 2. Pass the 120 volt supply wires from the ceiling outlet box through the center of the ceiling mounting bracket. (Fig. 6)

Step 3. Attach the mounting bracket on the outlet box by sliding the mounting bracket over the screws provided with the outlet box. Note that the flat side of the mounting bracket is toward the outlet box. (Fig. 6)

Step 4. Securely tighten the two mounting screws. (Fig. 6)

Step 5. Remove ball from downrod by loosening set screw in the side of the ball. Slide ball down and remove cross pin; remove ball. (Fig. 7)

Step 6. Loosen the two set screws and remove the hitch pin and retaining clip from the coupling on top of the motor assembly. (Fig. 8)

Step 7. Carefully feed the electrical lead wires from the fan through the downrod. Thread downrod into coupler until holes align. Insert downrod pin through holes in mounting collar and downrod; clip cotter pin through small hole in end of downrod pin to hold downrod in place. (Fig. 8)

Step 8. Tighten security set screws against downrod using a large flat blade screwdriver to ensure a tight fit against downrod. Tighten nuts against mounting collar. (Fig. 8)

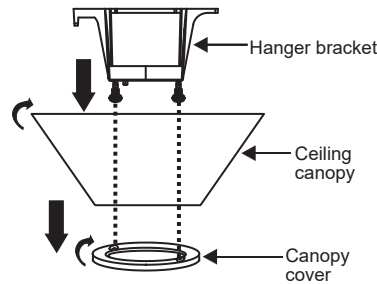
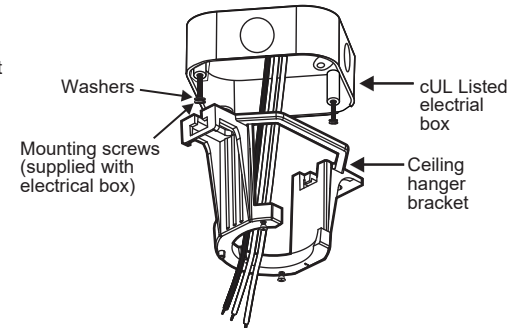


Fig. 5



120V Wires

Fig. 6

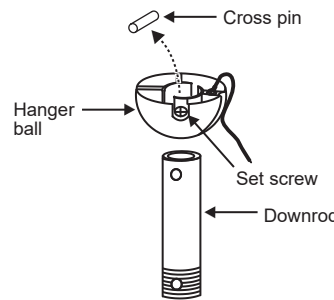


Fig. 7

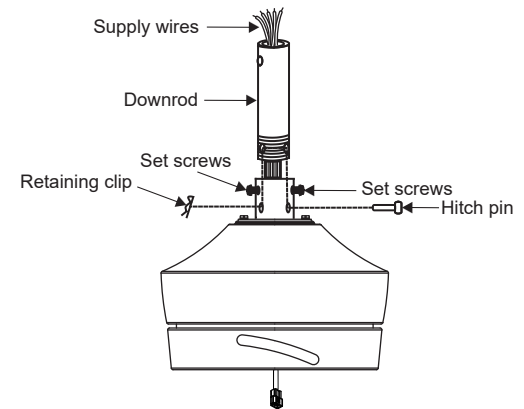


Fig. 8

HANGING THE FAN (continued)

CAUTION: To avoid possible electrical shock, be sure you have turned off the power at the main circuit panel.

Step 1. Slip the yoke cover, trim ring and canopy onto the downrod. (Fig. 9)

Step 2. Slide the hanger ball onto the downrod, insert the cross pin through the downrod and tighten. Tighten the set screw. (Fig. 9)

Step 3. Replace the hitch pin and retaining clip. Tighten both set screws. (Fig. 9)

Step 4. Lift the motor assembly into position and place the hanger ball into the ceiling mounting bracket. (Fig. 10)

Step 5. Rotate the entire assembly until the "Check Tab" has dropped into the "Registration Slot" and seats firmly. (Fig. 10)

The entire motor assembly should not rotate (left or right) when seated properly.

WARNING: Failure to reattach the cross pin and seat the "Check Tab" can cause the fan to fall from the ceiling during operation. Take special care to make sure this pin is reattached.

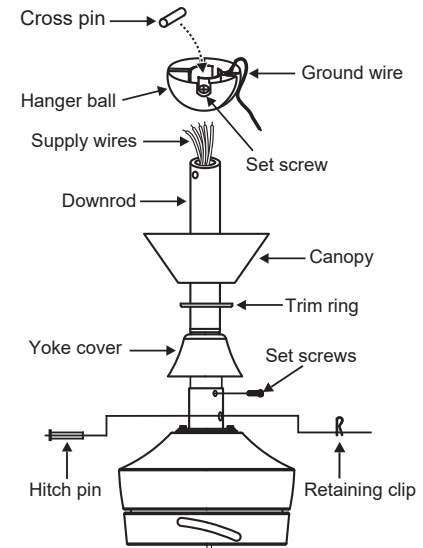


Fig. 9

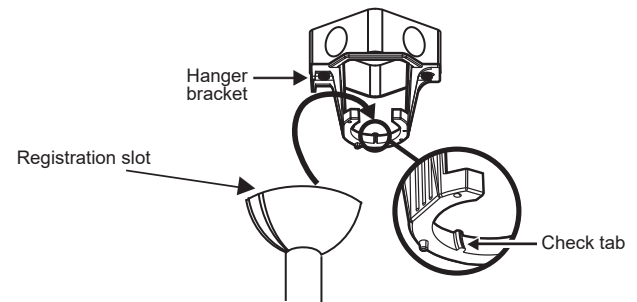


Fig. 10

INSTALLING THE RECEIVER

REMEMBER -Turn off the power! **NOTE** - Control must be installed within 30 feet of fan.

WARNINGS: Check to see that all connections are tight, including ground, and that no bare wire is visible at the wire nuts, except for the ground wire.

CAUTION: To reduce the risk of electric shock, this fan must be installed with an isolating wall control/switch. Turning off the isolating wall switch can override any smart enabled or remote operation commands.

Insert the controller into the ceiling mounting bracket with the flat side of the controller facing the ceiling (Fig. 11). For best performance, make sure the Black Antenna and WIFI Antenna, on the end of the controller, remains extended and not tangled with any of the electrical wires.

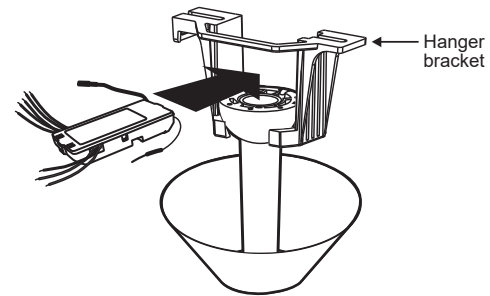


Fig. 11

ELECTRICAL CONNECTIONS

CAUTION: To avoid possible electrical shock, be sure you have turned off the power at the main circuit panel.

Step 1. Make wire connections from the fan to the controller unit. For this step use the bundle of 5 wires on the controller. (Fig. 12)

- Connect the WHITE lead wire extension neutral wire to the WHITE controller neutral wire.
- Connect the BLUE lead wire extension wire to the BLUE controller wire.
- Connect the GRAY lead wire extension wire to the GRAY controller wire.
- Connect the YELLOW lead wire extension wire to the YELLOW controller wire.
- Connect the RED lead wire extension wire to the RED controller wire.

Step 2. Connect the wiring from the ceiling to the controller unit. (Use the 2 wire bundle on the controller.) Secure with supplied wire nuts.

- Connect the BLACK building supply wire to the BLACK controller wire.
- Connect the WHITE building neutral wire to the WHITE controller neutral wire.
- Connect the COPPER building ground wire to the 3 YELLOW/ GREEN ground wires from the fan and controller.

Turn the wire nut connections upward, spreading them apart so the green (ground) and white wires will be on one side of the outlet box and the black wire will be on the other side.

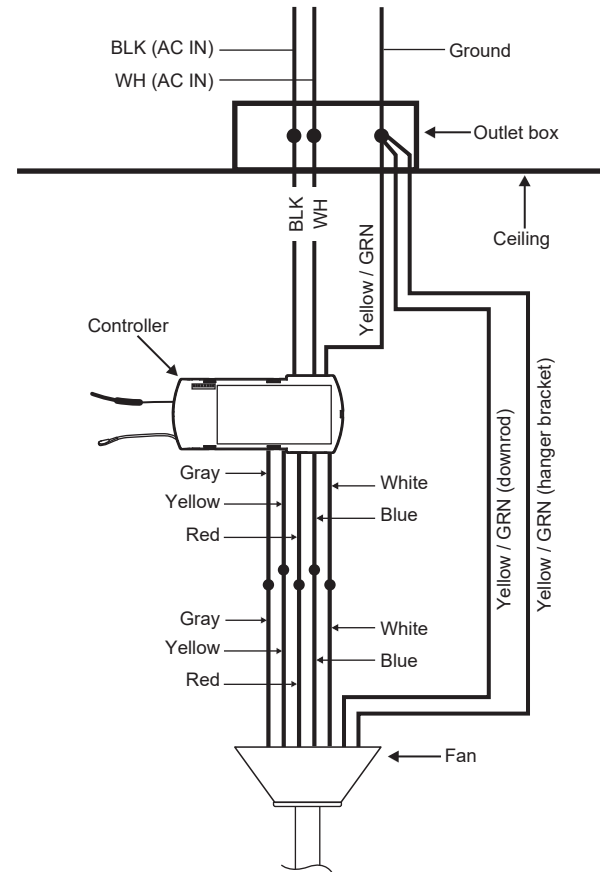


Fig. 12

FINISHING THE INSTALLATION

WARNINGS: Make sure the tab on the mounting bracket properly sits in the groove in the hanger ball/downrod assembly before attaching the canopy to the mounting bracket by turning the canopy until it drops into place.

NOTE: Adjust the canopy mounting screws as necessary until the canopy and canopy bottom cover are snug.

Step 1. Make sure connections are neatly tucked into the ceiling outlet box. (Fig. 13)

Step 2. Slide the canopy up to the mounting bracket aligned with the mounting screws. After placing over the loose canopy mounting screws, rotate the canopy clockwise until the screws engage to the narrow section of key slots and the alignment post engages to the round hole. Tighten screws into place.

Step 3. Fit the slots of the canopy cover over the visible canopy screw heads and rotate clockwise to complete canopy assembly.

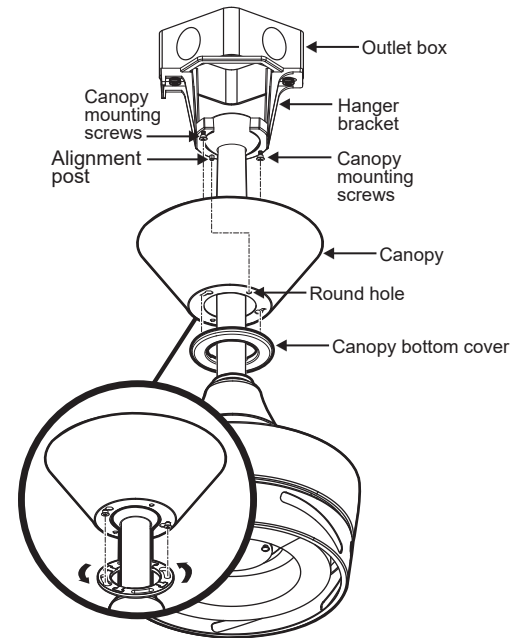


Fig. 13

ATTACHING THE FAN BLADES

WARNINGS: To reduce the risk of personal injury, do not bend the blades while installing, balancing the blades, or cleaning the fan.

Fasten blade to motor with provided blade support plates with screws and lock washers. Repeat procedure for remaining blades. Make sure screws are TIGHT! Loose motor screws can contribute to unnecessary hum during operation. (Fig. 14)

NOTE: Cordless power screwdrivers are **NOT** recommended, as they usually strip the heads of the screws and usually will not fully compress the lock washers on the motor screws. Use a large flat blade screwdriver for final tightening to fully compress the washers. This will help ensure proper alignment of the blades and noise-free, wobble-free running.

INSTALLING THE LIGHT PLATE

CAUTION: To avoid possible electrical shock, be sure you have turned off the power at the main circuit panel.

Step 1. Loosen the two screws on the mounting ring attached to the motor shaft and "remove" and save the third screw. (Fig. 15)

Step 2. Place the key hole slots on the light plate over the two screws previously loosened on the mounting ring.

Turn the light plate until it locks in place at the narrow section of the key hole slots.

Tighten both key hole screws and replace the third screw previously removed and tighten securely.

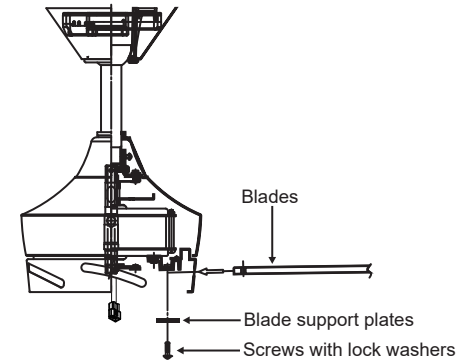


Fig. 14

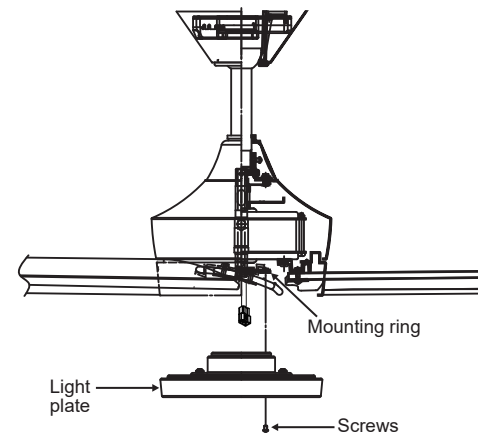


Fig. 15

INSTALLING THE LED LIGHT KIT AND LIGHT COVER

CAUTION: To reduce the risk of electric shock, disconnect the electrical supply circuit to the fan before installing light kit.

Step 1. While holding the LED light kit under your fan, make the polarized plug connections: (Fig. 16)

- White to white
- Black to black

Step 2. Tuck connections neatly into light plate. Place the key holes on the light kit over the 2 screws previously loosened, turn the light kit until it locks in place at the narrow section of the key holes. Secure by tightening the 2 screws previously loosened and the one previously removed.

Step 3. Raise the light cover against the LED light kit and turn clockwise until snug, DO NOT OVERTIGHTEN.

Step 4. Restore power and your light kit is ready for operation.

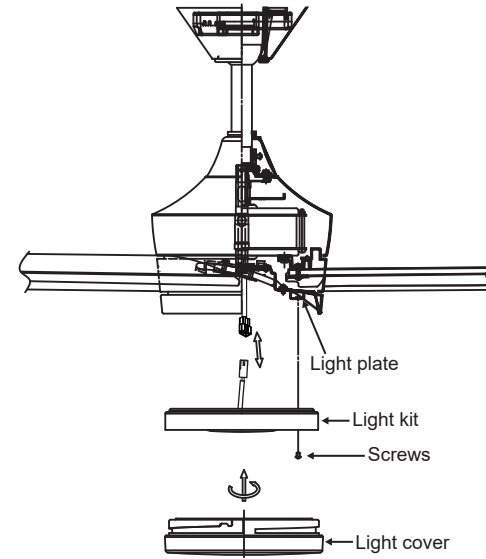


Fig. 16

OPERATING INSTRUCTIONS

Your DC brushless motor is equipped with an automatically learned type remote control. There is no frequency switches on the receiver or transmitter. The fan can start to use once the pairing process is done.

Remove the panel from the transmitter and then install one 2032 battery (included). You need to use a screwdriver to open or close the battery cover. To prevent damage to transmitter, remove the battery if not use for long periods of time (Fig. 17)

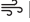
WARNING: Chemical Burn Hazard. Keep batteries away from children.

This product contains a lithium button/coin cell battery. If a new or used lithium button /coin cell battery is swallowed or enters the body, it can cause severe internal burns and can lead to death in as little as 2 hours. Always completely secure the battery compartment. If the battery compartment does not close securely, stop using the product, remove the batteries, and keep it away from children. IF you think batteries might have been swallowed or placed inside any part of the body, seek immediate medical attention.


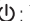
The batteries shall be disposed of properly, including keeping them away from children; Even used cells may cause injury.

A.  button:
Turn the light off.

B.  button:
ON/OFF-Turn the light on or off.
DIMMER-Press and hold to dim or brighten light to the desired level and release.

C.  button:
Fan speed will modulate to simulate a natural breeze.

D.  button:
Press this button for forward/reverse airflow of ceiling fan.

E.  button:
 : Turn off the ceiling fan.
1~6 : Press button to turn on and set speed. (6 for the highest speed.) (Fig. 18)

LEARNING PROCESS

NOTE: After the AC power is on, do not press any other button on the remote control before pressing the button. Doing so will cause the procedure to fail. (Fig. 17)

Should you desire to use another remote control unit with your new fan, install one using the steps below.

1. Activating the Learning process: Within 30 seconds of turning the fan's AC power ON, press and hold the LEARN button (on the back of the transmitter) for 3 seconds to enter the learning function. Refer to FIG. 17. Fan will turn on 30 seconds then off and down light (if installed) will blink three times. This confirms that the SMART SYNC setting is active and ok.
2. If user cannot finish the setting within the 30 seconds time frame, the main power must be turned off and re-started again. This will reset the unit. Repeat step 1 until the LEARNING feature is activated as indicated.
Transmitter use 1 pc CR2032 3V battery.

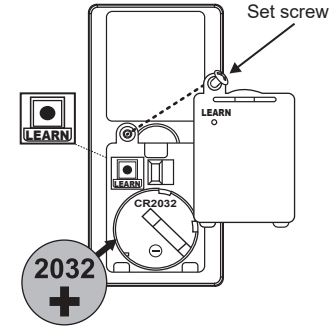


Fig. 17

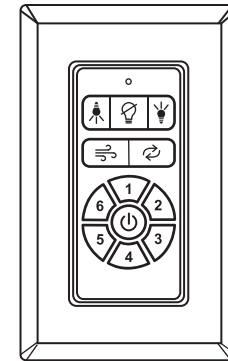


Fig. 18

INSTALLING WALL BRACKET (HANDSET TRANSMITTER)

WARNING: All wiring must be in accordance with the National Electrical Code and local electrical codes. Electrical installation should be performed by a qualified licensed electrician.

WARNING: Switch installation must comply with all local and national electric code.

CAUTION: Make sure the electrical power is **TURNED OFF** at the main panel before continuing.

Step 1. Remove the existing wall plate from the wall outlet box. Wire nut the BLACK leads (hot) together and push back inside the outlet box. (Fig. 19)

Step 2. Connect the wall plate to the wall outlet box using the supplied hardware.

Step 3. Snap the face plate cover onto the wall bracket.

Step 4. Remote transmitter will be held in place with built in magnets.

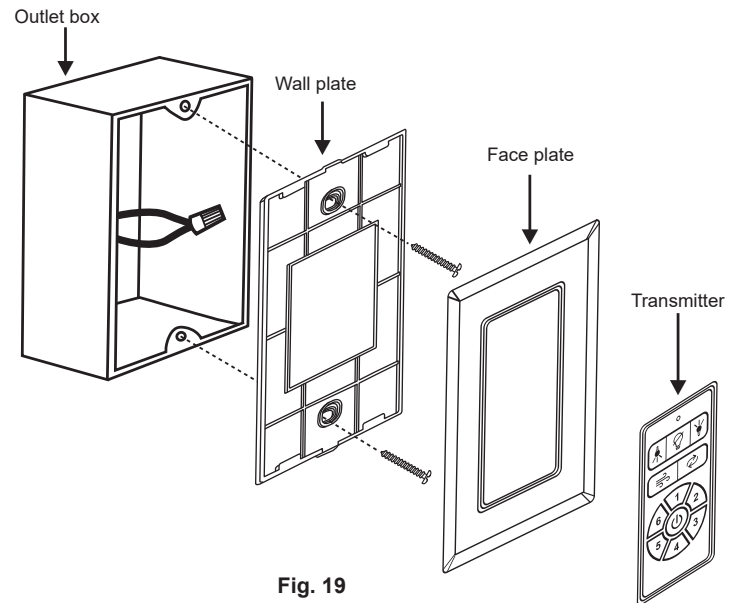


Fig. 19

OPERATING INSTRUCTIONS

NOTE: To operate the reverse function on this fan, press the reverse button while the fan is running.

Warm weather - Forward (counter clockwise) A downward airflow creates a cooling effect as shown in Fig. 20. This allows you to set your air conditioner on a warmer setting without affecting your comfort.

Cool weather - Reverse (clockwise) An upward airflow moves warm air off the ceiling area as shown in Fig. 21. This allows you to set your heating unit on a cooler setting without affecting your comfort.

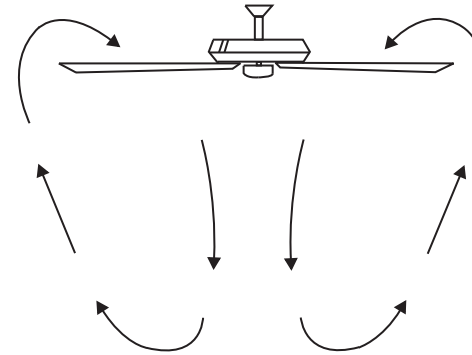


Fig. 20

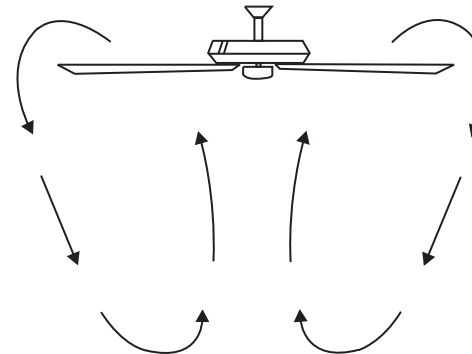


Fig. 21

TROUBLESHOOTING

Problem	Solution
Fan will not start.	<ol style="list-style-type: none">1. Check circuit fuses or breakers.2. Check all electrical connections to insure proper contact. CAUTION: Make sure the main power is OFF when checking any electrical connection.3. Make sure the transmitter batteries are installed properly. Positive (+) side facing out.4. Insure the batteries have a good charge.
Fan sounds noisy.	<ol style="list-style-type: none">1. Make sure all motor housing screws are snug.2. Make sure the screws that attach the fan blade support plates to the motor are tight.3. Make sure wire nut connections are not rubbing against each other or the interior wall of the switch housing. CAUTION: Make sure main power is off.4. Allow a 24-hour "breaking-in" period. Most noise associated with a new fan disappear during this time.5. If using an optional light kit, make sure the screws securing the glassware are tight. Make sure the light bulbs are not touching any other component.6. Do not connect this fan to wall mounted variable speed control(s). They are not compatible with ceiling fan motors or remote controls.7. Make sure the upper canopy is a short distance from the ceiling. It should not touch the ceiling.
Fan wobble.	<ol style="list-style-type: none">1. Check that all blade and blade support plates screws are secure.2. Most fan wobbling problems are caused when blade levels are unequal. Check this level by selecting a point on the ceiling above the tip of one of the blades. Measure this distance. Rotate the fan until the next blade is positioned for measurement. Repeat for each blade. The distance deviation should be equal within 1/8".3. Use the enclosed Blade Balancing Kit if the blade wobble is still noticeable.4. If the blade wobble is still noticeable, interchanging two adjacent (side by side) blades can redistribute the weight and possibly result in smoother operation. <p>WARNING: TO REDUCE THE RISK OF PERSONAL INJURY AND TO INSURE THE PROPER OPERATION OF YOUR CEILING FAN. NEVER ATTACH THE BLADE ASSEMBLIES UNTIL THE CEILING FAN HAS BEEN MOUNTING ON THE CEILING. DO NOT BEND THE BLADE ARMS WHILE INSTALLING, BALANCING OR CLEANING THE FAN. DO NOT INSERT FOREIGN OBJECTS BETWEEN ROTATING FAN BLADES.</p>
Remote control malfunction.	<ol style="list-style-type: none">1. Ceiling Fans with remote control systems CAN NOT be operated in conjunction with any other control system EXCEPT a basic On/Off wall switch, if desired.2. Make sure the Black Antenna on the receiver is NOT tangled with any other electrical wires and is extended around the inside of the ceiling canopy.

FCC INFORMATION

This device complies with part 15 of the FCC Rules. Operation is subject to the following two conditions:

- 1) This device may not cause harmful interference, and
- 2) This device must accept any interference received, including interference that may cause undesired operation.

Note: This equipment has been tested and found to comply with the limits for a Class B digital device, pursuant to part 15 of the FCC Rules. These limits are designed to provide reasonable protection against harmful interference in a residential installation. This equipment generates, uses and can radiate radio frequency energy and, if not installed and used in accordance with the instructions, may cause harmful interference to radio communications. However, there is no guarantee that interference will not occur in a particular installation. If this equipment does cause harmful interference to radio or television reception, which can be determined by turning the equipment off and on, the user is encouraged to try to correct the interference by one or more of the following measures:

- Reorient or relocate the receiving antenna
- Increase the separation between the equipment and receiver.
- Connect the equipment into an outlet on a circuit different from that to which the receiver is connected.
- Consult the dealer or an experienced radio/TV technician for help.

KICHLER®

www.kichler.com

**KICHLER LIGHTING LLC
30455 SOLON RD.
SOLON, OH 44139 USA**

**Customer Service
866.558.5706
8:00 AM to 5:00 PM EST,
Monday - Friday**

REV 11-JUL-2024

© Kichler Lighting LLC. All Rights Reserved.