
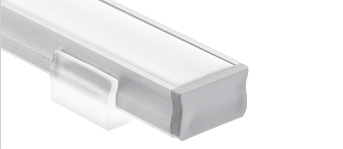
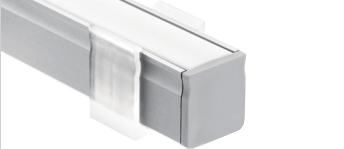
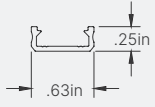
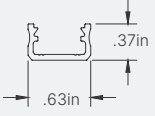
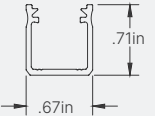


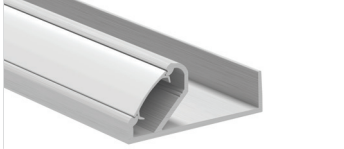
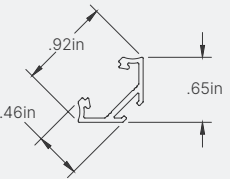
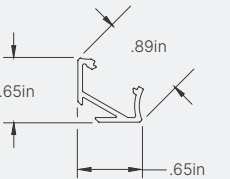
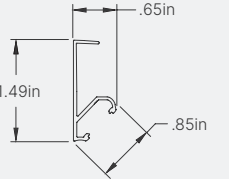


Surface Mount Channels




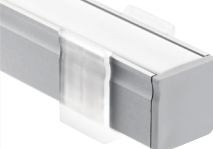
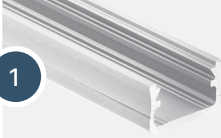


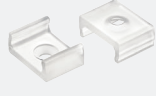
FULL KITS

Kit Models Include: Channel, Lens (White Opaque), End Caps (2) and Mounting Clips (3, 5 or 9 for 2', 4' and 8' Kits respectively). <i>Tape Light Sold Separately</i>	 <p style="text-align: center;">Shallow</p>	 <p style="text-align: center;">Standard</p>	 <p style="text-align: center;">Deep</p>
	2' - 1TEK1SWSF2SIL 4' - 1TEK1SWSF4SIL 8' - 1TEK1SWSF8SIL	2' - 1TEK1STSF2SIL 4' - 1TEK1STSF4SIL 8' - 1TEK1STSF8SIL	2' - 1TEK1DWSF2SIL 4' - 1TEK1DWSF4SIL 8' - 1TEK1DWSF8SIL
Channel Depth	Sleek, cost effective, and presents a light distribution that's true to its source	Common depth offers a light distribution that is gently diffused	Allows the light to blend within the channel, resulting in a greater diffused light
Installation	Install onto a surface to create sturdy under-cabinet, shelving or even step lighting. Miter cut and connect for custom shapes. Requires mounting clips and end caps.		
Location	Under cabinets, Above cabinets or along toe kicks, Shelves		
Dimensions			

Kit Models Include: Channel, Lens (White Opaque), End Caps (2) and Mounting Clips (3, 5 or 9 for 2', 4' and 8' Kits respectively). <i>Tape Light Sold Separately</i>	 <p style="text-align: center;">45-Degree</p>	 <p style="text-align: center;">30/60-Degree</p>	 <p style="text-align: center;">45-Degree Shelf</p>
	2' - 1TEK145SF2SIL 4' - 1TEK145SF4SIL 8' - 1TEK145SF8SIL	4' - 1TEK3060SF4SIL 8' - 1TEK3060SF8SIL	2' - 1TEKSLF75SF2SIL 4' - 1TEKSLF75SF4SIL 8' - 1TEKSLF75SF8SIL
Channel Depth	N/A		
Installation	Install onto a surface to create sturdy under-cabinet, shelving or even step lighting. Miter cut and connect for custom shapes. Requires mounting clips and end caps.		Install over exposed edge of shelf to create a finished look and add tape light without the need to route or recess channels. Cut to size, fits 3/4" and under shelving thickness. Attaches via double-sided tape or adhesive (not supplied).
Location	Under cabinets, Under steps, Drawers		3/4" shelves with no lip, Built-ins, Bookcases, Cabinets
Dimensions			



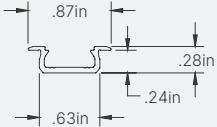
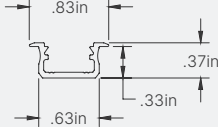
Surface Mount Channels



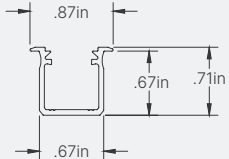
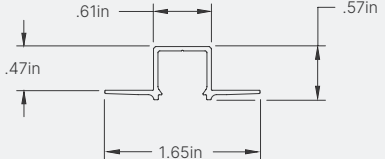
A LA CARTE

Build Your Channel <i>Tape Light Sold Separately</i>					
		45-Degree	Shallow	Standard	Deep
	Channels 8ft	1TEC145SF8SIL	1TEC1SWSF8SIL	1TEC1STSF8SIL	1TEC1DWSF8SIL
	Lenses 8ft	1TEL0018WHO Flat White Opaque			
		1TEL0018CLR Flat Clear			
		1TEL3018CLR Medium Beam Lens, Clear			
		N/A	1TELH018WHO High Diffusion, White Opaque		N/A
	End Caps 10 total: 5 with Wiring Hole, 5 without	1TEE145SFSSIL	1TEE1SWSFSSIL	1TEE1STSFSSIL	1TEE1DWSFSSIL
	1TEE1SWSFHSSIL Pairs with High Diffusion Lens		1TEE1STSFHSSIL Pairs with High Diffusion Lens		
	Mounting Clips 10 total	1TEM145SFCLR	1TEM1SWSFMCLR	1TEM1STSFMCLR	1TEM1DWSFCLR

Recessed Mount Channels




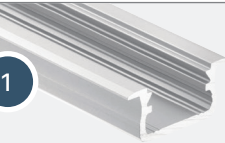


FULL KITS

<p>Kit Models Include: Channel, Lens (White Opaque), End Caps (2) and Mounting Clips (3, 5 or 9 for 2', 4' and 8' Kits respectively).</p> <p><i>Tape Light Sold Separately</i></p>	 <p style="text-align: center;">Shallow</p>	 <p style="text-align: center;">Standard</p>
	<p>2' - 1TEK1SWRC2SIL 4' - 1TEK1SWRC4SIL 8' - 1TEK1SWRC8SIL</p>	<p>2' - 1TEK1STRC2SIL 4' - 1TEK1STRC4SIL 8' - 1TEK1STRC8SIL</p>
Channel Depth	Sleek, cost effective, and presents a light distribution that's true to its source	Common depth offers a light distribution that is gently diffused
Installation	Recessed channels can then be inset for a seamless, built-in lighting effect. Miter cut and connect for custom shapes. Requires routing into wood or drywall.	
Location	Recessed under cabinets, Recessed into shelving or under a kitchen island, Wall or niche accent	
Dimensions		

<p>Kit Models Include: Channel, Lens (White Opaque), End Caps (2) and Mounting Clips (3, 5 or 9 for 2', 4' and 8' Kits respectively).</p> <p><i>Tape Light Sold Separately</i></p>	 <p style="text-align: center;">Deep</p>	 <p style="text-align: center;">Mud-In</p>
	<p>2' - 1TEK1DWRC2SIL 4' - 1TEK1DWRC4SIL 8' - 1TEK1DWRC8SIL</p>	<p>4' - 1TEKMUDSR4SIL 8' - 1TEKMUDSR8SIL</p>
Channel Depth	Allows the light to blend within the channel, resulting in a greater diffused light	Common depth offers a light distribution that is gently diffused
Installation	Recessed channels can then be inset for a seamless, built-in lighting effect. Miter cut and connect for custom shapes. Requires routing into wood or drywall.	Mud-in channels blend seamlessly into walls or ceilings. Recess into sheetrock and blend in with sheetrock mud.
Location	Recessed under cabinets, Recessed into shelving or under a kitchen island, Wall or niche accent	Recessed into walls, vertical or horizontal, or into ceilings
Dimensions		

Recessed Mount Channels

A LA CARTE

Build Your Channel <i>Tape Light Sold Separately</i>				
		Shallow	Standard	Deep
1 	Channels 8ft	1TEC1SWRC8SIL	1TEC1STRC8SIL	1TEC1DWRC8SIL
2 	Lenses 8ft	1TEL0018WHO Flat White Opaque		
		1TEL0018CLR Flat Clear		
		1TEL3018CLR Medium Beam Lens, Clear		
3 	End Caps 10—all with Wiring Hole	1TEE1SWSFSSIL	1TEE1STSFSSIL	1TEE1DWSFSSIL