

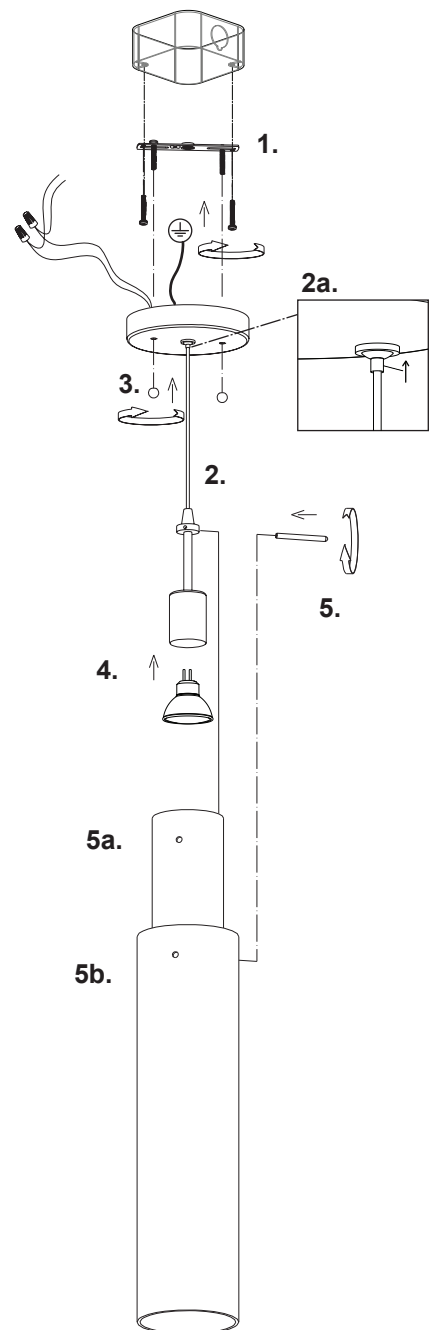
Pendant with clear cylinder glass and inner cylinder glass

- 1.** Remove the fixture from its original packaging. Remove the canopy mounting plate from within the canopy and attach it to the electrical junction box on the ceiling using the two screws provided in the hardware package.
- 2.** Select the desired length you would like the fixture to hang down from the ceiling (72" maximum). **(2a)** To set the fixture hanging height, simply push in the sleeve at the canopy where the wire comes out from. Once the sleeve is pushed in you can push the wire up to shorten, or pull the wire down to lengthen. When you have selected your desired length, just release the sleeve and the wire will be held tightly in place.
- 3.** Attach the canopy to the mounting plate, which is attached to the electrical junction box on the ceiling. First attach all wiring with the provided marrets (white to white "N", black to black "L", ground to ground "G"). Align the two holes from the canopy to the two screws pointing down from the mounting plate. Push the screws through the canopy plate so they are poking through, once this is complete you can screw on the decorative nuts until tight.
- 4.** Now that your fixture is installed to the ceiling you can install the PAR20 light bulb of the correct wattage.
- 5.** Locate the three pins from inside the hardware package. These pins are to hold the glass onto the pendant. **(5a)** Take the pendant lamp socket and guide it gently through the center of the smaller glass piece until one of the holes in the glass lines up with one of the holes in the metal disc above the lamp socket. Now insert a pin through the hole in the glass, and screw it in to the hole on the metal disc, until it is tight (do not over tighten). **(5b)** Take the smaller glass piece and guide it gently through the center of the bigger glass piece until one of the holes in the glass lines up with the pin, and then insert the pin into the hole. Now with both pieces of glass installed on the pendant, please proceed to line up the other two holes in the glass with the holes in the metal disc, insert the pins, and screw them in until they are tight (do not over tighten).
- 6.** You have now completed the installation of your fixture, please enjoy.

START FROM HERE

- Make sure power is completely off at the fuse box.
- Have your fixture installed by a qualified licensed electrician
- Prepare everything in clear area.
- Wear gloves at all times during this installation.
- Read instructions carefully before you start assembly.
- Keep this instruction sheet for future reference.

Technical Support: 1-855-855-8926



KUZCO

19054 28th Avenue Surrey, BC Canada V3Z 6M3
 T: 604 538 7162 TF: 1-855 85 KUZCO F: 604 538 7196
 W: kuzcolighting.com
 20191016