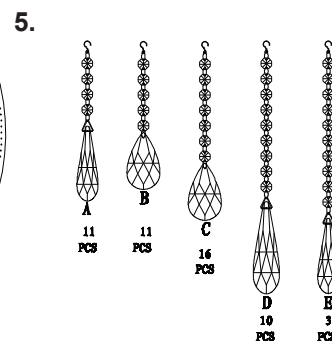
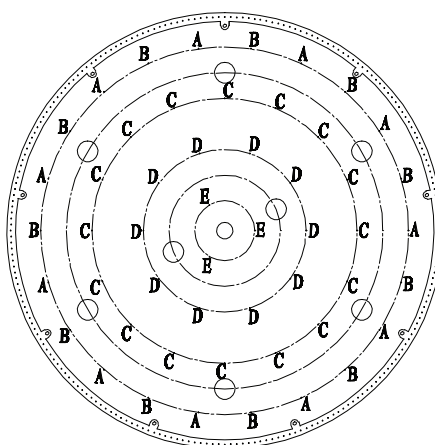
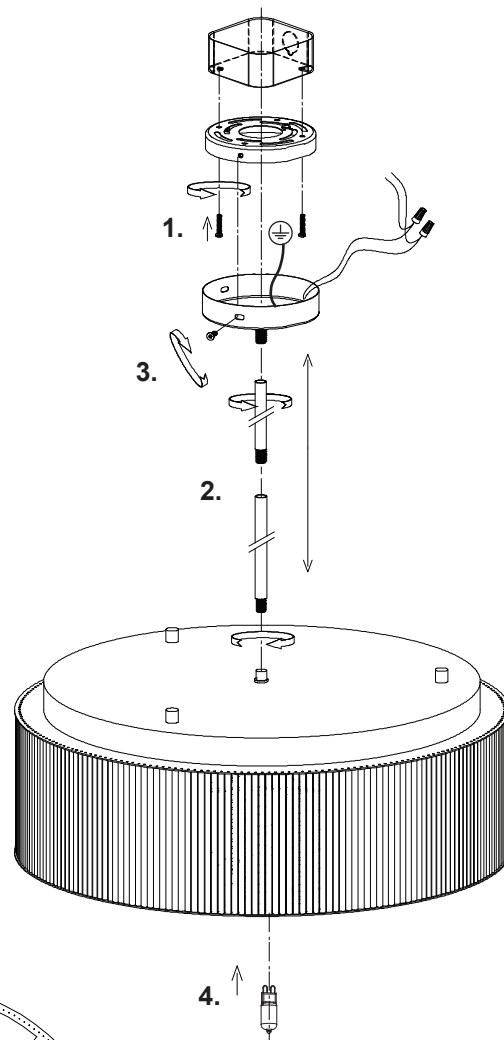


Pendant with clear ribbed glass rods shade and elegant hanging crystals

- 1.** Remove the fixture from its original packaging. Remove the canopy mounting plate from within the canopy and attach it to the electrical junction box on the ceiling using the two screws provided in the hardware package. (Please make sure that the electrical junction box you are using is capable of holding a static load of 18 kilograms / 40 pounds.)
- 2.** Select the desired length you would like the fixture to hang down from the ceiling (42" maximum). Assemble the 3 – 12" rods and the 1 – 6" rod in a combination that comes closest to your predetermined desired length. Assemble the rods by threading the male end of the rods into the female ends of the connecting rods. When all of the rods are connected make sure to feed the wires through the center of the male end of the connected rods until the wires come out the opposite female end. Then attach the rods to the fixture by screwing the male end of the rods into the female connector on the fixture. Now push the wires through the nipple on the canopy and attach the canopy by screwing the female end of the rods into the male connector on the canopy (do not over tighten).
- 3.** Once your fixture is completely together you can now attach the canopy to the mounting plate, which is attached to the electrical junction box on the ceiling. First attach all wiring with the provided marrets (white to white "N", black to black "L", ground to ground "G"). Push the canopy onto the mounting plate installed on the ceiling. Align the three holes on the side of the canopy to the holes on side of the mounting plate. Once aligned, screw in the three screws provided to secure the fixture to the ceiling. (It is recommended that two people complete this portion of the installation due to the size and weight of the fixture.)
- 4.** Now that your fixture is installed to the ceiling you can then install the G-9 light bulbs of the correct wattage.
- 5.** Now install all of the 51 crystal accents to your fixture, starting from the center of the fixture working out to the side. Please see the crystal map below for the correct installation pattern of the crystal accents.
- 6.** You have now completed the installation of your fixture, please enjoy.

START FROM HERE

- Make sure power is completely off at the fuse box.
- Have your fixture installed by a qualified licensed electrician
- Prepare everything in clear area.
- Wear gloves at all times during this installation.
- Read instructions carefully before you start assembly.
- Keep this instruction sheet for future reference.



KUZCO

L I G H T I N G

19054 28th Avenue Surrey, BC Canada V3S 6M3
 T: 604 538 7162 TF: 1-855 85 KUZCO F: 604 538 7196
 W: kuzcolighting.com