

Flush Mount

505102
INSTALLATION SHEET

START FROM HERE

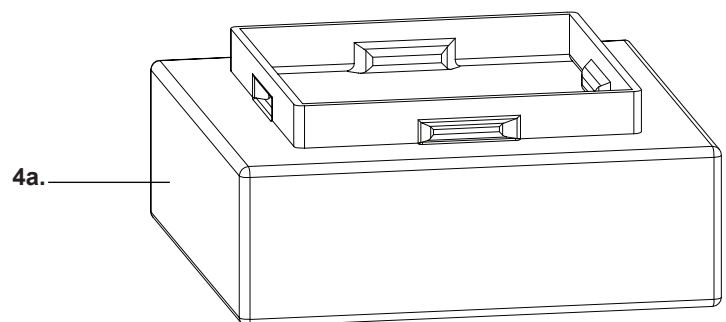
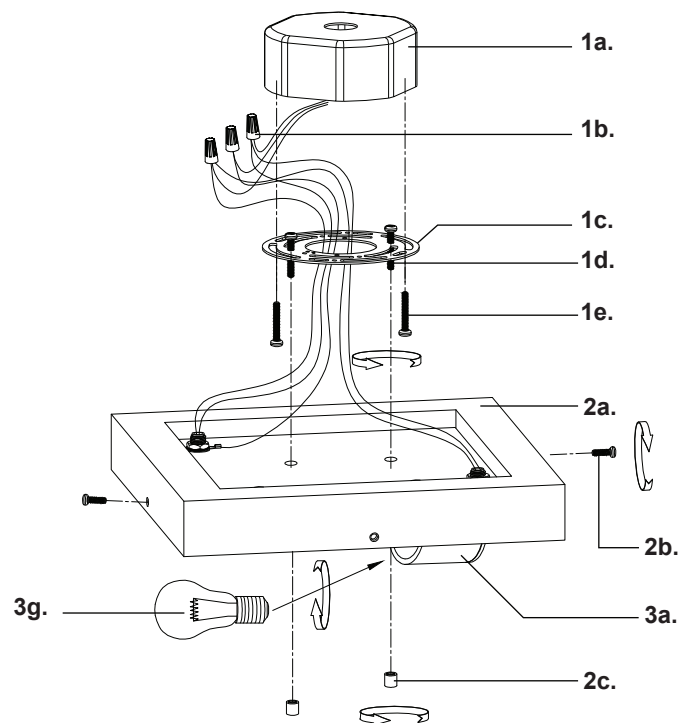
- Make sure **POWER** is **COMPLETELY OFF** at the fuse box
- Have your fixture installed by a qualified licensed electrician
- Prepare everything in a clear area
- Wear gloves at all time during this installation
- Read instructions carefully before you start assembly
- Keep this installation sheet for future reference

Technical Support: 1-855-855-8926

Please Note:

- This Kuzco LED fixtures come with pre-wired LED module(s)
- Unless instructed, Do Not touch any part of the LED module(s) as any unnecessary contact with the module could cause permanent damage

- 1.** Remove fixture from its original package
- 2.** Separate canopy (**2a**) from fixture body (**4a**) by removing canopy screws (**2b**)
- 3.** Separate mounting plate (**1c**) from canopy (**2a**) by removing decorative nuts (**2c**)
- 4.** Align mounting plate screws (**1d**) to desired orientation, and then attach mounting plate (**1c**) to electrical junction box (**1a**) using screws provided (**1e**) in hardware package
- 5.** Make proper electrical connections (black to hot "L", white to neutral "N", ground to "GND") with wire nuts (**1b**) provided in hardware package
- 6.** Align mounting plate screws (**1d**) through holes on canopy (**2a**), secure with decorative nuts (**2c**)
- 7.** Insert lamp (**3g**) into socket (**3a**)
- 8.** Attach fixture body (**4a**) to canopy (**2a**) with canopy screws (**2b**)



KUZCO

19054 28th Avenue Surrey, BC Canada V3Z 6M3
T: 604 538 7162 TF: 1-855 85 KUZCO F: 604 538 7196
W: kuzcolighting.com
20190806