

# Tiered LED Chandelier

**CH78220**  
INSTALLATION SHEET

## START FROM HERE

- Make sure power is completely off at the fuse box.
- Have your fixture installed by a qualified licensed electrician
- Prepare everything in a clear area.
- Wear gloves at all times during this installation.
- Read instructions carefully before you start assembly.
- Keep this instruction sheet for future reference.

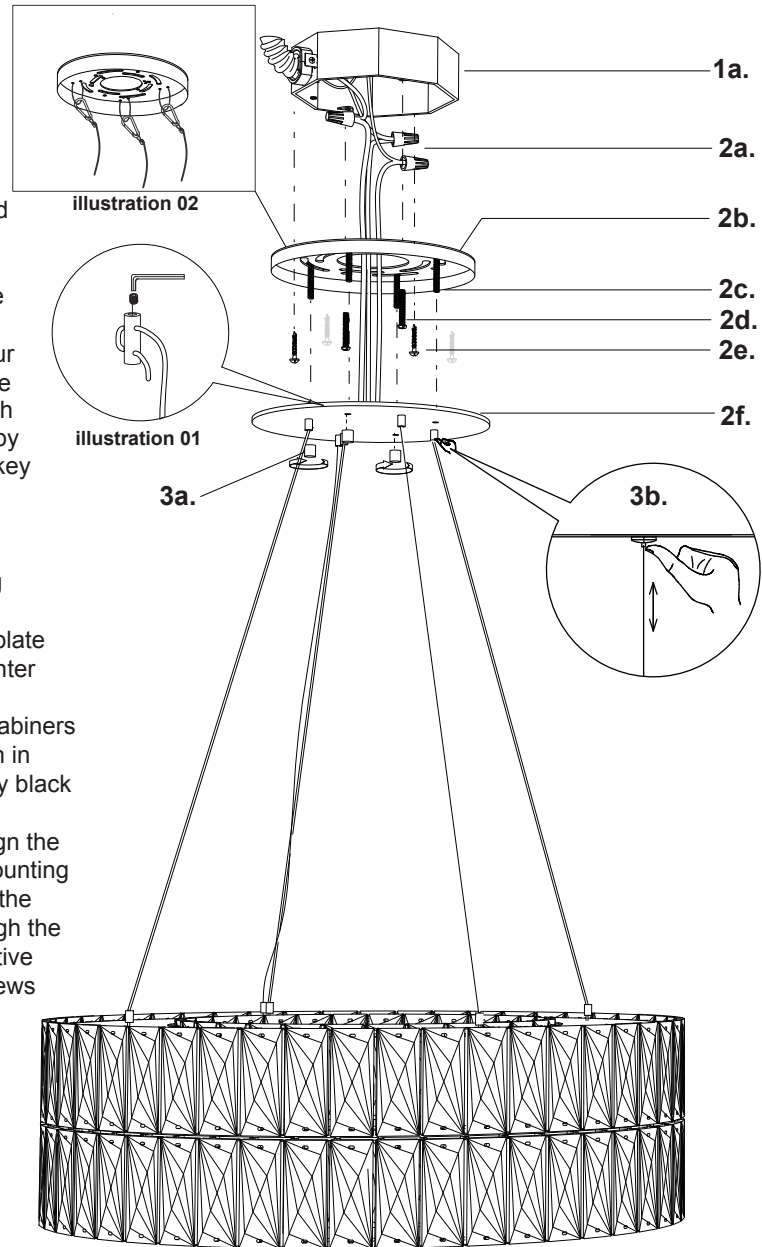
**Technical Support:** 1-877-452-6858

### Please Note:

- All Kuzco LED fixtures come with pre-wired LED module(s).
- Unless instructed to do so, please do not touch any part of the LED module(s) as any unnecessary contact with the module could cause permanent damage.
- For dimming, an ELV (Electronic Low Voltage) type of dimmer is required.

**CAUTION:** This fixture weighs in excess of 30 Lbs! Utilize appropriate anchors and junction box hardware to support the load. The installer should be aware of the weight and fully confirm that the junction box has been installed in a manner appropriate to supporting the load. Add additional suitably rated mounting provisions to the junction box if necessary! Additionally, we strongly recommend that the installer connects the provided fixture safety cables to the canopy - and preferably to an additional secondary roof member, or other suitable point that is separately capable of supporting the full load of the fixture. This in case of failure of the primary mounting means.

1. Remove the fixture from its original packaging. Next, remove the mounting plate (3a) from within the canopy (2f) by removing the four decorative nuts (3a).
2. Install the mounting plate to the junction box (1a) with screws (2d). Now secure the mounting plate (2b) to the ceiling with screws (2e), make sure to reinforce the wood behind the drywall. To set the fixture hanging height (120" maximum), simply push in the sleeve (3b) at the canopy where the wire comes out from. Once the sleeve is pushed in you can push the wire up to shorten, or pull the wire down to lengthen. When you have selected your desired length, just release the sleeve and the wire will be held tightly in place. Additionally secure all four wires with locking pins. Thread the wire in and back out followed by threading the set screw down to the wire using an allen key (illustration 01). Note that one of these wire will be longer than the rest, this is used as a failsafe restraint.
3. You are now ready to mount the canopy to the mounting plate. First use the long wire from (illustration 01) and weave it through the supporting cables in the mounting plate (2b) as shown in (illustration 02). Then through the center hole in the mounting plate (2b) and attach the wire to a suitable supporting member as a failsafe. Attach the carabiners to the supporting cables on the mounting plate as shown in (illustration 02). You may now connect all wires correctly black "L", white "N" and the ground wire with provided marrettes (2a) from the hardware package. Align the four threaded studs (2c) hanging downward from the mounting plate (2b) to the four holes inside the canopy (2f). Push the canopy up towards the ceiling so the screws point through the holes in the canopy (2f). Next, screw on the four decorative nuts (3a) onto the four screws pointing onto the four screws pointing through the canopy, this will secure the canopy to the mounting plate.
4. You have now completed the installation of your fixture, enjoy.



**KUZCO**  
LIGHTING

19054 28th Avenue Surrey, BC Canada V3S 6M3  
T: 604 538 7162 TF: 1-855 85 KUZCO F: 604 538 7196  
W: kuzcolighting.com  
20170411