

# Two Tiered LED Chandelier

**CH7824**  
INSTALLATION SHEET

## START FROM HERE

- Make sure power is completely off at the fuse box.
- Have your fixture installed by a qualified licensed electrician
- Prepare everything in a clear area.
- Wear gloves at all times during this installation.
- Read instructions carefully before you start assembly.
- Keep this instruction sheet for future reference.

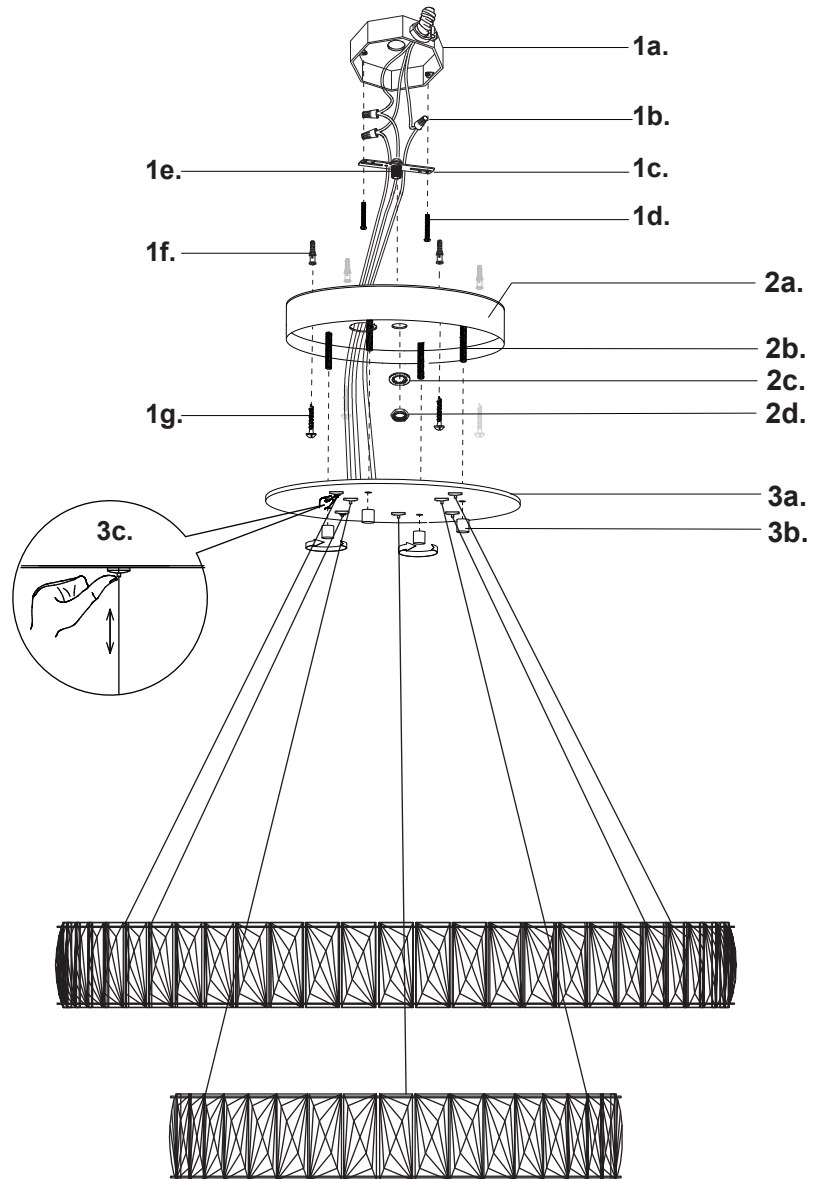
**Technical Support:** 1-855-855-8926

## Please Note:

- All Kuzco LED fixtures come with pre-wired LED module(s).
- Unless instructed to do so, please do not touch any part of the LED module(s) as any unnecessary contact with the module could cause permanent damage.
- For dimming, an ELV (Electronic Low Voltage) type of dimmer is required.

**CAUTION:** HEAVY FIXTURE, THE JUNCTION BOX NEEDS TO BE REINFORCED BEFORE INSTALLATION.

1. Remove the fixture from its original packaging. Next, remove the canopy (2a) from the metal plate (3a) by removing the four decorative nuts (3b).
2. Install the mounting plate (1c) provided in hardware package to the junction box (1a) with screws (1d). You are now ready to mount the canopy to the mounting plate. First connect all wires (1b) correctly black to black "L", white to white "N" and the ground wire with provided marrets from the hardware package. Now align the hole in the canopy (2a) to the threaded rod in mounting plate (1c) and push the canopy up towards the ceiling and secure with washer (2c) and nut (2d) on the threaded rod. For extra support, make sure to reinforce the wood behind the drywall and install wood screws (1g) and plastic anchors (1f) into the ceiling.
3. Select the desired length you would like the fixture to hang down from the ceiling (120" maximum). To set the fixture hanging height, simply push in the sleeve (3c) at the canopy where the wire comes out from. Once the sleeve is pushed in you can push the wire up to shorten, or pull the wire down to lengthen. When you have selected your desired length, just release the sleeve and the wire will be held tightly in place.
4. Now, align the four threaded rods (2b) hanging downward from the canopy (2a) to the four holes inside the canopy plate (3a). Push the canopy plate (3a) up towards the ceiling so the rods (2b) point through the holes in the canopy. Next, screw on the four decorative nuts (3b) onto the threaded rods (2b) pointing through the canopy, this will secure the fixture to the canopy.
5. You have now completed the installation of your fixture, enjoy.



KUZCO

19054 28th Avenue Surrey, BC Canada V3S 6M3  
T: 604 538 7162 TF: 1-855 85 KUZCO F: 604 538 7196  
W: kuzcolighting.com  
20190326