

# Tiered LED Chandelier

**CH78241**  
INSTALLATION SHEET

## START FROM HERE

- Make sure power is completely off at the fuse box.
- Have you fixture installed by a qualified licensed electrician only.
- Prepare everything in a clear area.
- Wear gloves at all times during the installation
- Read instructions and warnings fully & carefully before you start installation.
- Keep the instructions sheet for future reference.

### Please Note:

- All Kuzco Lighting fixtures come with pre-wired LED module(s).
- Do Not Touch any part of the LED module(s)
- For dimming, an ELV (Electronic Low Voltage) type of dimmer is required.

**CAUTION: EXTREMELY HEAVEY FIXTURE, THE JUNCTION BOX MUST TO BE REINFORCE BEFORE INSTALLATION. ALL MOUNTING SCREWS MUST SCREW INTO A MINIMUM OF 1" OF WOOD. DO NOT MOUNT THIS FIXTURE TO JUST DRYWALL.**

- ALL MOUNTING SCREWS MUST BE USED TO INSTALL THE MOUNTING PLATE INTO SECURED WOOD.
- Be sure all wood that you screw into to install this fixture is secured to the cross beams/ceiling joists of the building.
- Have the fixtures weight fully supported by a secure platform or other until all steps of the installation are completed.
- Installation will require two or more people

**Technical Support:** 1-877-452-6858

## See illustraions on second sheet.

### 1. Unpack your fixture

Remove the fixture from its original packaging. Remove the mounting plate **(2B)** from the canopy by removing all the decorative nuts **(3B)**.

### 2. Pre-Installation

Prep you fixtures cables lengths (**maximum of 120" from 2F to 3E**) before installing the fixture to the ceiling. To adjust each aircraft cable simply push in the sleeve **(3C)** where the aircraft cable is running through the canopy **(2F)**. When the sleeve is pushed in push the cable up to shorten or pull to lengthen. When you have set your desired length, just release the sleeve which will then lock the cable in place. You can now unlock the cable lock with the provided allen key (**see Illustration 03**) attached currently to the aircraft cable and slide all the way down the aircraft cable until resting against the inside of the canopy then relock the cable lock until tightly secured. Repeat these steps for each aircraft cable before moving to the next step. Make sure all aircraft cables are of equal length before proceeding.

You can then adjust the SVT Cable **(3D)** to match the aircraft cable length by feeding the wire up or down through the nipple, then slide the SVT plastic lock (**see illustration 02**) strain relief to the inside of the canopy to prevent the wire from moving.

### 3. Installation

To begin make sure you have enough room and the fixtures weight is on a flat secure safe surface holding the entire weight of the fixture.

You can now install the mounting plate **(2B)** to the junction box **(1A)** with the provided flat end screws **(2D)** inside the hardware pack, when installed you must secure the mounting plate to the reinforced junction box by using all the provided wood screws **(2E)**. **ALL MOUNTING SCREWS MUST BE DRILLED INTO A MINIMUM OF 1" OF WOOD, DO NOT DRILL INTO DRYWALL ONLY.** (Be sure all wood that you screw into is secured to the cross beams/ceiling joists of the building).

With the mounting plate securely mounted to the reinforced junction you are now ready to install and wire the fixture. Take note, from inside the mounting plate there are Installation Safety Cable hoops and within the canopy Carabiners, attach all of them to the install Safety Cable Loops (**see Illustration 01**) do not cross any of the cables. Once all carabiners are properly clipped, locked and hooked into place you can now wire the fixture. Connect all wires correctly black to black "L", white to white "N" and ground wire with the provided marrettes **(2A)** from the hardware package. Once wired align the canopy **(2F)** holes with the downward threaded screws **(2C)** from the mounting plate **(2B)**. When aligned push the canopy up towards the ceiling allowing the screws **(2C)** to point through the holes on the canopy **(2F)**. Next tightly screw on the decorative nuts **(3B)** onto the screws pointing through the canopy, this will secure the canopy to the mounting plate. You can now hang the fixture without the secure platform holding the weight of the fixture.

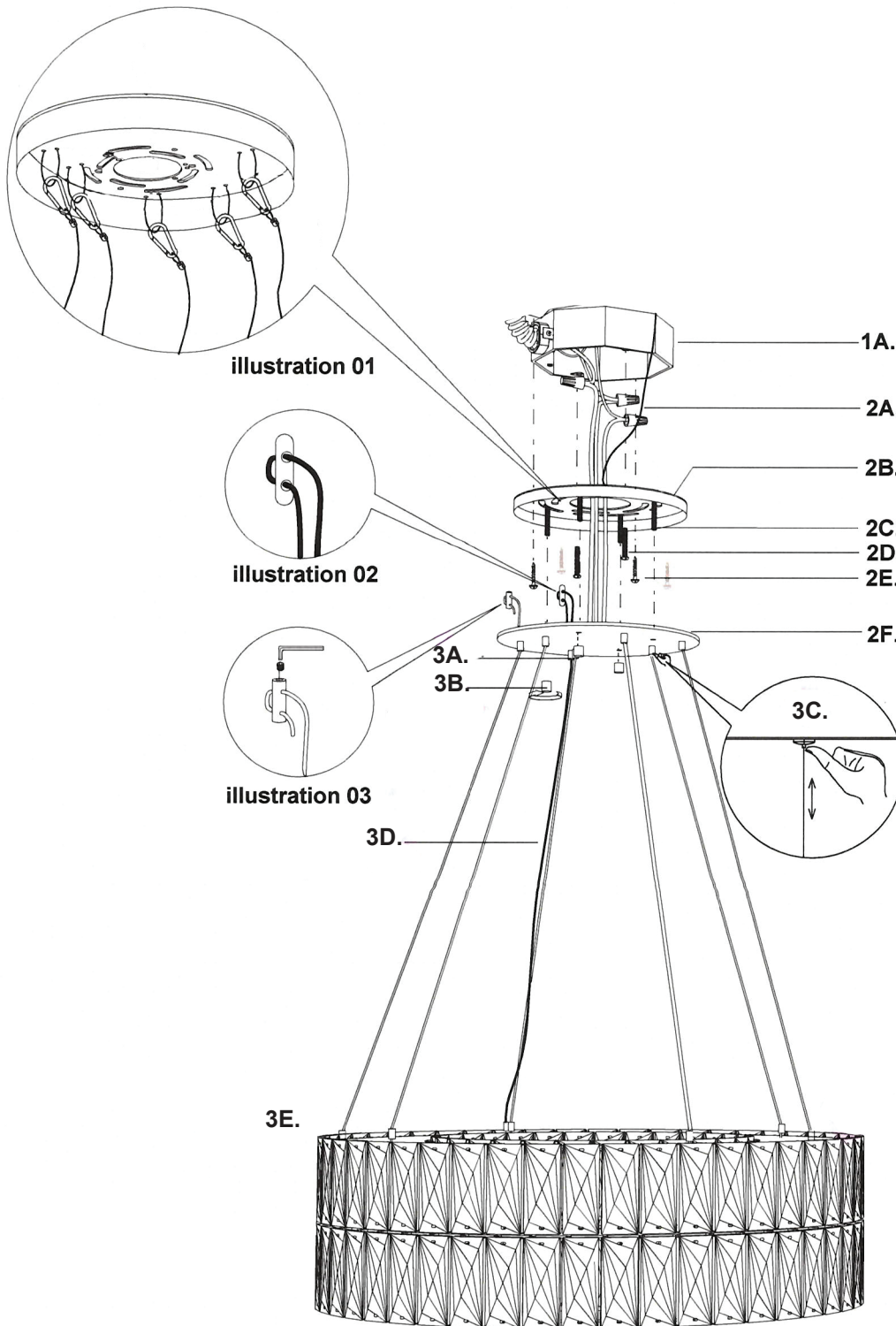
### 4. You have completed the installation; you can now reconnect power from the fuse box and enjoy your fixture.

**KUZCO**  
LIGHTING

19054 28th Avenue Surrey, BC Canada V3S 6M3  
T: 604 538 7162 TF: 1-855 85 KUZCO F: 604 538 7196  
W: kuzcolighting.com  
20170411

## Tiered LED Chandelier

### Illustration



**KUZCO**  
LIGHTING

19054 28th Avenue Surrey, BC Canada V3S 6M3  
T: 604 538 7162 TF: 1-855 85 KUZCO F: 604 538 7196  
W: kuzcolighting.com  
20170411