

Tiered LED Chandelier

CH78259

INSTALLATION SHEET

START FROM HERE

- Make sure power is completely off at the fuse box.
- Have your fixture installed by a qualified licensed electrician
- Prepare everything in a clear area.
- Wear gloves at all times during this installation.
- Read instructions carefully before you start assembly.
- Keep this instruction sheet for future reference.

Technical Support: 1-877-452-6858

Please Note:

- All Kuzco LED fixtures come with pre-wired LED module(s).
- Unless instructed to do so, please do not touch any part of the LED module(s) as any unnecessary contact with the module could cause permanent damage.
- For dimming, an ELV (Electronic Low Voltage) type of dimmer is required.

CAUTION: CAUTION: EXTREMELY HEAVY FIXTURE, THE JUNCTION BOX NEEDS TO BE REINFORCED BEFORE INSTALLATION. ALL MOUNTING SCREWS MUST SCREW INTO A MINIMUM OF 1" OF WOOD BEHIND THE DRYWALL. DO NOT MOUNT THIS FIXTURE JUST TO DRYWALL. (Be sure all wood that you screwed into, is secured to the cross beams/ceiling joists behind the drywall)
Prepare the mounting location with adequate access to joist or structural framing member.

1. Unpack your fixture

Remove the fixture from its original packaging. Remove the mounting plate (2b) from within the canopy (2f) by removing all decorative nuts (3a).

2. Pre Installation

With the fixture safely set on a platform set all wires with an equal distance from the canopy (2f) to the base (3c). To set this height (120" maximum), simply push in the sleeve (3b) at the canopy and push or pull the wires to shorten or lengthen. When you have selected your desired length, just release the sleeve this will now lock the wires in place. For further security, use locking pins as provided in the hardware package. Thread the wire in and back out followed by tightening set screw with Allen Key (see Illustration 02)

3. Installation

NOTE, you'll require adequate access to joist or structural framing members. Take notice, from the group of wires one is of greater length, this is your failsafe wire. Thread this wire through all upper wire hoops in the canopy and out the top of the canopy (illustration 01). Next secure this to a suitable supporting member as a failsafe restraint. For further security, use locking pins as provided in the hardware package. Thread the wire in and back out followed by tightening set screw with Allen Key (see Illustration 03).

ALL MOUNTING SCREWS MUST CONNECT INTO A MINIMUM OF 1" OF WOOD (2e). With the canopy securely mounted to the junction box and structural framing members attach all carabiners from the canopy to the upper mounting plate hoops (see illustration_01) You are now ready to mount the canopy to the mounting plate. Connect all wires correctly black to black "L", white to white "N" and the ground wire with provided marrettes (2a) from the hardware package. Align the threaded studs (2c) hanging downward from the mounting plate (2b) to the holes inside the canopy (2f). Push the canopy up towards the ceiling allowing the screws point through the holes in the canopy (2f). Next, screw on the decorative nuts (3a) onto the screws pointing through the canopy, this will secure the canopy to the mounting plate.

4. You have now completed the installation of your, enjoy.

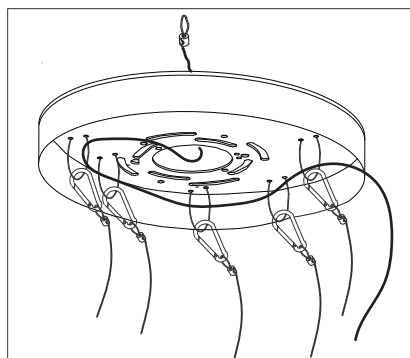


illustration 01

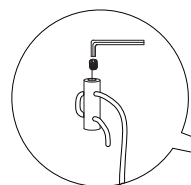


illustration 02

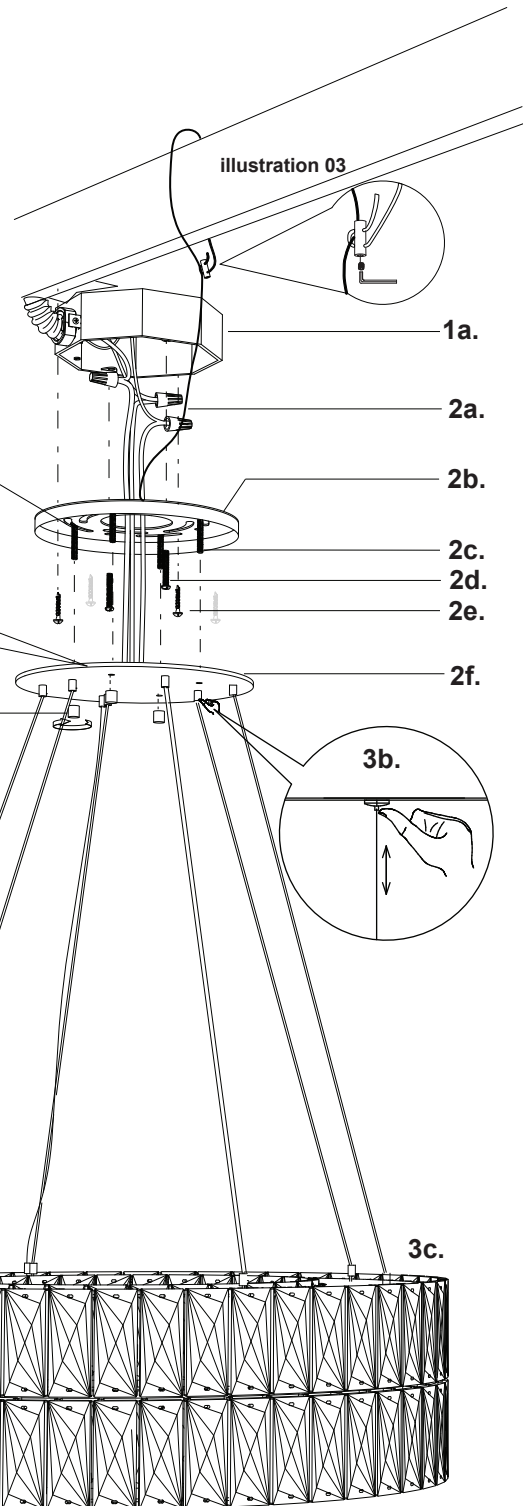


illustration 03

3c.

KUZCO
LIGHTING

19054 28th Avenue Surrey, BC Canada V3S 6M3
T: 604 538 7162 TF: 1-855 85 KUZCO F: 604 538 7196
W: kuzcolighting.com
20170411