

LED Chandelier

CH7898
INSTALLATION SHEET

START FROM HERE

- Make sure power is completely off at the fuse box.
- Prepare everything in a clear area.
- Wear gloves at all times during this installation.
- Read instructions carefully before you start assembly.
- Keep this instruction sheet for future reference.

General Notes:

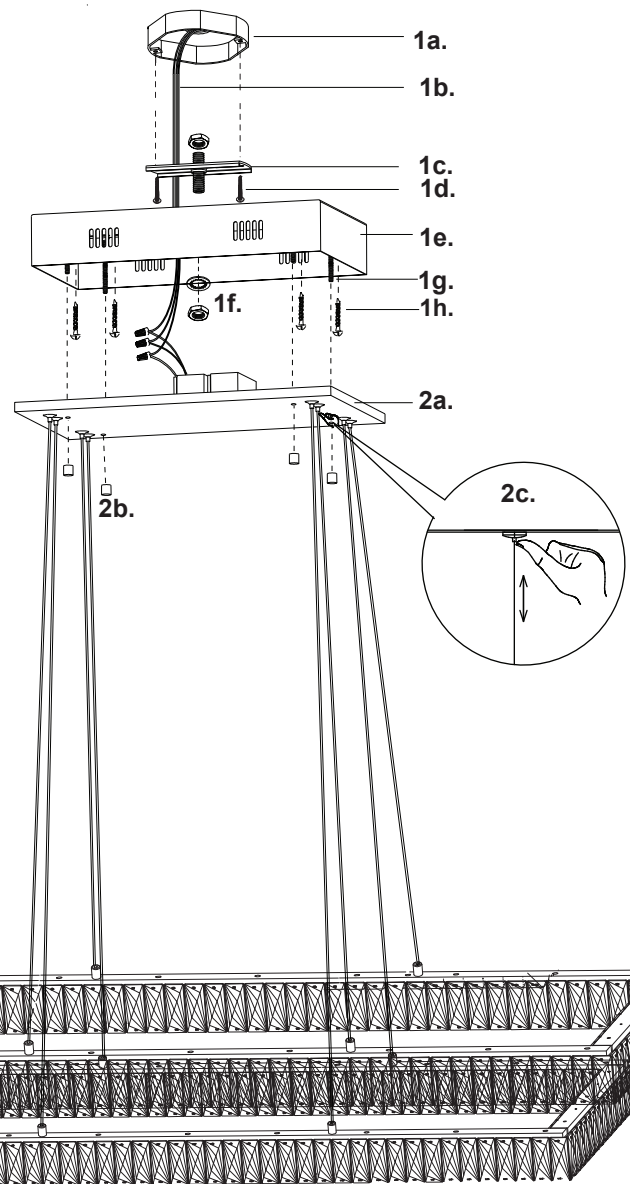
- To avoid the risk of fire or shock, fixture must be installed in compliance with all applicable national and local electrical/building codes
- This fixture weighs more than 50lbs. It must be mounted on an approved heavy duty outlet suitable for heavy light fixture, a field of constructed support system, or attached to a structural member.
- Installation and maintenance of this unit requires an electrician or certified factory trained technician.
- For dimming, an ELV (Electronic Low Voltage) or a TRIAC type of dimmer, UL listed or equivalent is required.

Technical Support: 1-855-855-8926

CAUTION: THIS LUMINAIRE MUST BE MOUNTED OR SUPPORTED INDEPENDENTLY OF AN OUTLET BOX

- Be sure all wood that you screw in to install this fixture is secured to the cross beams/ceiling joists of the building.
- Have the fixture weight fully supported by a secure platform or other structure until all steps of the installation are completed.
- Installation will require two or more people

1. Remove the fixture from its original packaging. Next, remove the backplate (1e) within the canopy (2a) by removing the decorative nuts (2b). Select the desired length you would like the fixture to hang down from the ceiling (120" maximum). To set the fixture hanging height, simply push in the sleeve (2c) at the canopy where the wire comes out from. Push the wire up to shorten, or pull the wire down to lengthen. Release the sleeve and the wire will be held tightly in place.
2. Install a nut to secure the threaded rod to the crossbar then attach the crossbar (1c) to the electrical junction box (1a) with screws (1d). Make sure the wires (1b) from the junction box pass through the hole in the backplate (1e). Attach the backplate (1e) to the crossbar by using the threaded rod, nut and washer (1f). Make sure to reinforce the wood behind the drywall for extra support and use the woodscrews (1h *not included*) to secure the backplate (1e) to the ceiling. Connect all wires (1b) correctly black to black "L", white to white "N" and the ground wire with provided marrets from the hardware package.
3. You are now ready to mount the canopy to the backplate. Align the threaded studs (1g) hanging downward from the backplate (1e) to the holes inside the canopy (2a). Push the canopy up towards the ceiling so the studs clear through the holes in the canopy. Next, screw on the decorative nuts (2b) to the canopy, this will secure the canopy to the backplate. For final wire length adjustments refer back to step 1.
4. You have now completed the installation of your fixture, enjoy.



Parts Listing for Hardware Kit

No.	Description	QTY
1.	Round Head Screw 8-32x1"	2
2.	Marrette	3
3.	Crossbar 1/2" Thread rod	1
4.	1/2" Nut	2
5.	1/2" Washer	1

Fixture Weight: 69 lb

KUZCO

19054 28th Avenue Surrey, BC Canada V3S 6M3
T: 604 538 7162 TF: 1-855 85 KUZCO F: 604 538 7196
W: kuzcolighting.com
20190628