

Ceiling LED Pendants

LP52128
INSTALLATION SHEET

START FROM HERE

- Make sure power is completely off at the fuse box.
- Have your fixture installed by a qualified licensed electrician
- Prepare everything in a clear area.
- Wear gloves at all times during this installation.
- Read instructions carefully before you start assembly.
- Keep this instruction sheet for future reference.

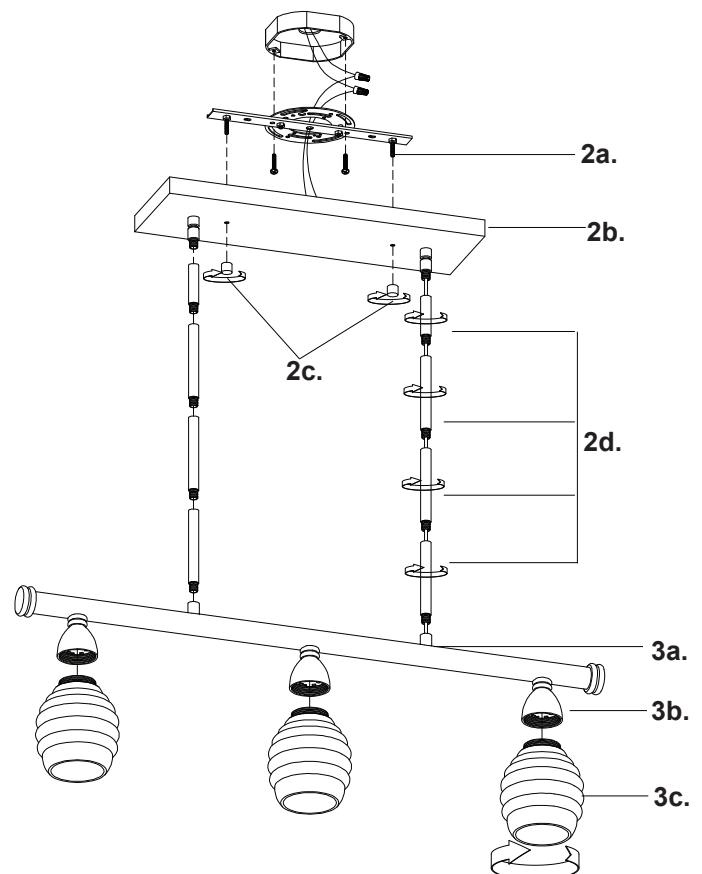
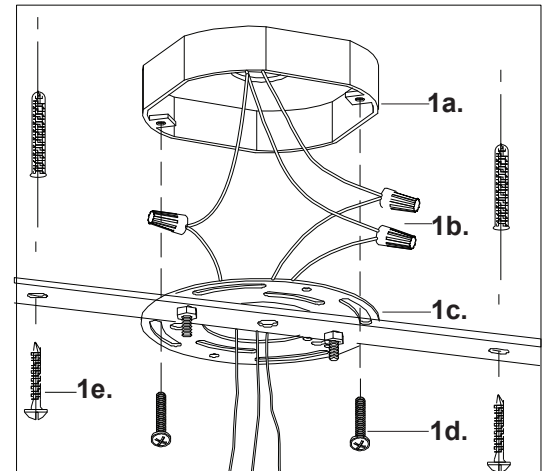
Technical Support: 1-877-452-6858

Please Note:

- All Kuzco LED fixtures come with pre-wired LED module(s).
- Unless instructed to do so, please do not touch any part of the LED module(s) as any unnecessary contact with the module could cause permanent damage.
- For dimming, an ELV (Electronic Low Voltage) type of dimmer is required.

CAUTION: HEAVEY FIXTURE, THE JUNCTION BOX NEEDS TO BE REINFORCED BEFORE INSTALLATION.

- 1.** Remove the fixture from it's original packaging. Remove the canopy mounting plate (1c) from within the canopy (2b) by removing the decorative nuts (2c). Secure the mount plate (1c) (with canopy screws facing downward) to the reinforced junction box (1a). Secure the mounting plate (1c) to the ceiling with screws (1e), make sure to reinforce the wood behind the drywall. Now install the two screws (1d) provided to secure the mounting plate to the junction box (1a).
- 2.** To shorten the conduit just leave out sections of conduit (2d). To connect the conduit sections thread each conduit (2d) clockwise. Next, pass the electrical wire (1b) up through the conduit (2d) and through the canopy (2b). Next, thread the fixture (3a) to the conduit (2d).
- 3.** You are now ready to mount the canopy (2b) to the mounting plate (1c). First connect all wires (1b) correctly, black to black "L", white to white "N" and the ground to ground with the provided marrets from the hardware package. Align the threaded screws (2a) hanging downward from the mounting plate (1c) to the holes inside the canopy (2b). Push the canopy up towards the ceiling so the two screws (2a) point through the holes in the canopy. You can then screw on the decorative nuts (2c) onto the threaded studs pointing through the canopy. This will secure the canopy to the mounting plate.
- 4.** LED Engines are built in. Push the glasses (3c) to the LED engines (3b) and thread turning clockwise.
- 5.** You have now completed the installation of your fixture, enjoy.



KUZCO
LIGHTING

19054 28th Avenue Surrey, BC Canada V3S 6M3
T: 604 538 7162 TF: 1-855 85 KUZCO F: 604 538 7196
W: kuzcolighting.com
20160416