

# Ceiling LED Pendants

**MP7713**  
INSTALLATION SHEET

## START FROM HERE

- Make sure power is completely off at the fuse box.
- Have your fixture installed by a qualified licensed electrician
- Prepare everything in a clear area.
- Wear gloves at all times during this installation.
- Read instructions carefully before you start assembly.
- Keep this instruction sheet for future reference.

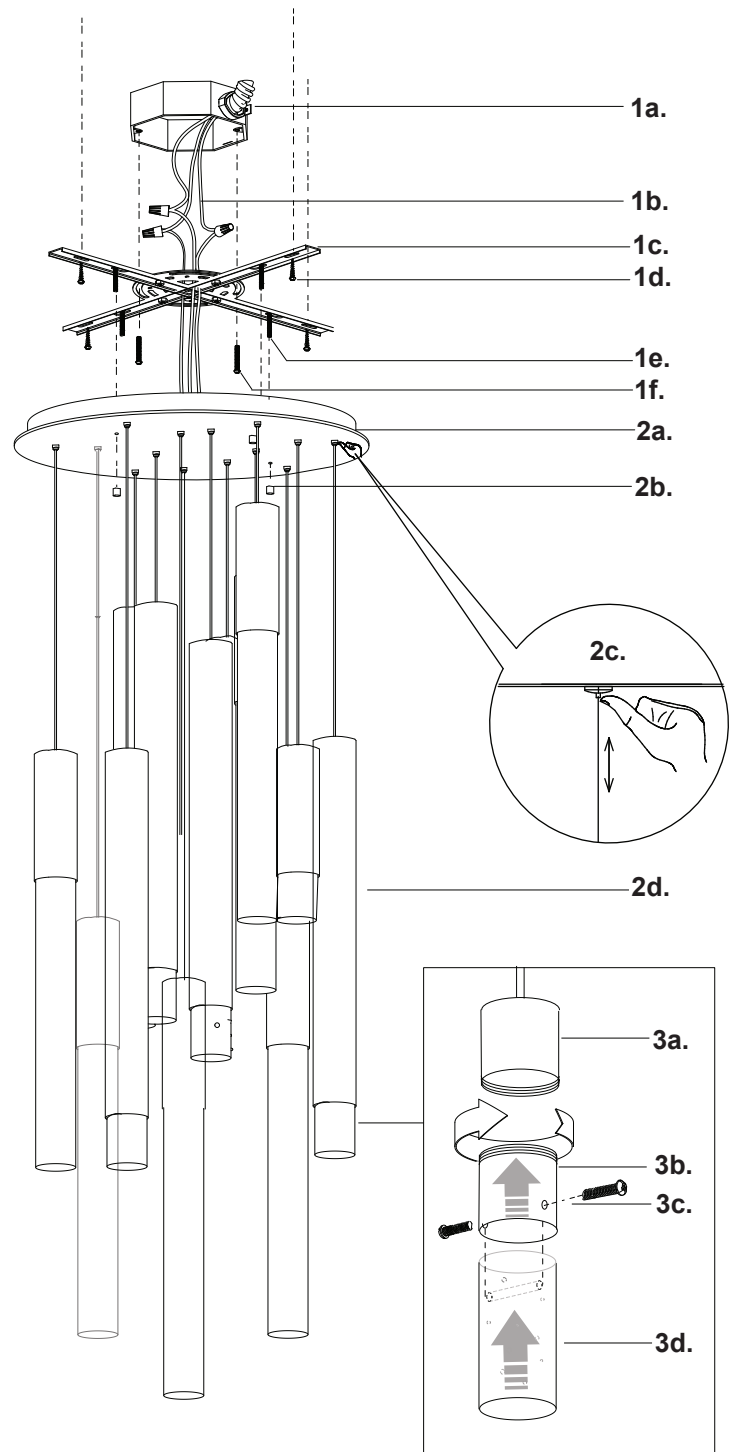
**Technical Support:** 1-877-452-6858

## Please Note:

- All Kuzco LED fixtures come with pre-wired LED module(s).
- Unless instructed to do so, please do not touch any part of the LED module(s) as any unnecessary contact with the module could cause permanent damage.
- For dimming, an ELV (Electronic Low Voltage) type of dimmer is required.

**CAUTION:** CAUTION: EXTREMELY HEAVY FIXTURE, THE JUNCTION BOX NEEDS TO BE REINFORCED BEFORE INSTALLATION. ALL MOUNTING SCREWS MUST SCREW INTO A MINIMUM OF 1" OF WOOD BEHIND THE DRYWALL. DO NOT MOUNT THIS FIXTURE JUST TO DRYWALL. (Be sure all wood that you screwed into, is secured to the cross beams/ceiling joists behind the drywall)

- 1.** Remove the fixture from it's original packaging. Remove the canopy mounting plate (1c) from within the canopy (2a) by removing the four decorative nuts (2b). Secure the mounting plate (1c) to the ceiling with screws (1d), make sure to reinforce the wood behind the drywall. Now install the two screws (1f) provided to secure the mounting plate to the junction box (1a).
- 2.** Select the desired length you would like the fixture to hang down from the ceiling (120" maximum). To set the fixture hanging height, simply push in the sleeve (2c) at the canopy where the wire comes out from. Once the sleeve is pushed in you can push the wire up to shorten, or pull the wire down to lengthen. When you have selected your desired length, just release the sleeve and the wire will be held tightly in place.
- 3.** You are now ready to mount the canopy (2a) to the mounting plate (1c). First connect all wires (1b) correctly, black to black "L", white to white "N" and the ground to ground with the provided marrets from the hardware package. Align the threaded screws (1e) hanging downward from the mounting plate (1c) to the holes inside the canopy (2a). Push the canopy up towards the ceiling so the four screws (1e) point through the holes in the canopy. You can then screw on the decorative four nuts (2b) onto the threaded studs pointing through the canopy. This will secure the canopy to the mounting plate.
- 4.** If the crystals (3d) are not connected to the sleeve couplings (3b), complete this next step. Connect the crystals (3d) to the sleeve couplings (3b) by threading screws (3c) clockwise. Next, thread the sleeve couplings to the LED engines (3a). Now, let the cowling (2d) slide down over the LED engines (3a).
- 5.** You have now completed the installation of your fixture, enjoy.



**KUZCO**  
LIGHTING

19054 28th Avenue Surrey, BC Canada V3S 6M3  
T: 604 538 7162 TF: 1-855 85 KUZCO F: 604 538 7196  
W: kuzcolighting.com  
20160416