

# Two Tiered LED Semi-Flush.

**SF7830**  
INSTALLATION SHEET

## START FROM HERE

- Make sure power is completely off at the fuse box.
- Have your fixture installed by a qualified licensed electrician
- Prepare everything in a clear area.
- Wear gloves at all times during this installation.
- Read instructions carefully before you start assembly.
- Keep this instruction sheet for future reference.

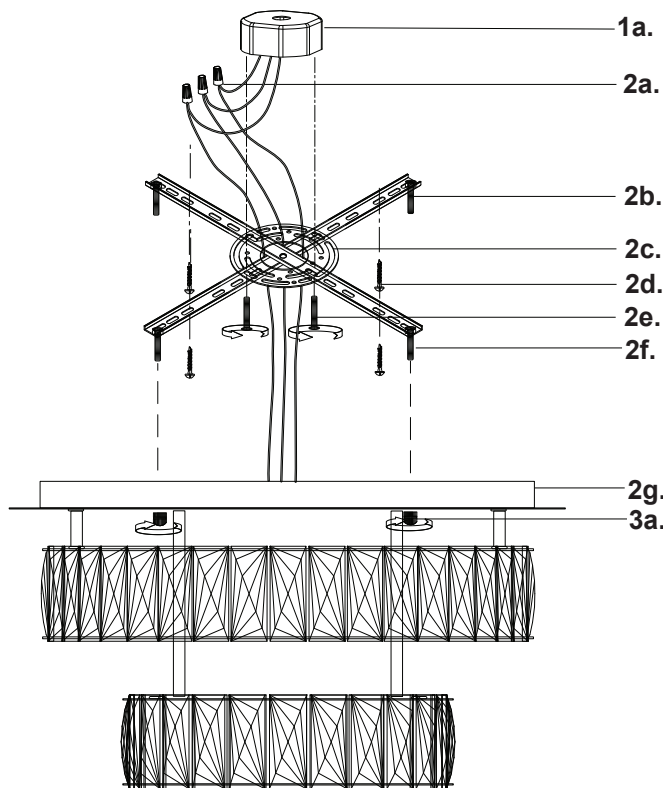
**Technical Support:** 1-877-452-6858

### Please Note:

- All Kuzco LED fixtures come with pre-wired LED module(s).
- Unless instructed to do so, please do not touch any part of the LED module(s) as any unnecessary contact with the module could cause permanent damage.
- For dimming, an ELV (Electronic Low Voltage) type of dimmer is required.

**CAUTION:** CAUTION: EXTREMELY HEAVEY FIXTURE, THE JUNCTION BOX NEEDS TO BE REINFORCED BEFORE INSTALLATION. ALL MOUNTING SCREWS MUST SCREW INTO A MINIMUM OF 1" OF WOOD BEHIND THE DRYWALL. DO NOT MOUNT THIS FIXTURE JUST TO DRYWALL. (Be sure all wood that you screwed into, is secured to the cross beams/ceiling joists behind the drywall)

- 1.** Remove the fixture from its original packaging. Next, remove the canopy mounting plate from within the canopy by removing the four decorative nuts **(3a)**.
- 2.** Secure the mounting plate **(2c)** to the ceiling with screws **(2d)**, make sure to reinforce the wood behind the drywall. Now install the two screws **(2e)** provided to secure the mounting plate to the junction box **(1a)**.
- 3.** Connect all wires **(2a)** correctly black to black "L", white to white "N" and the ground to ground wire with provided marrets from the hardware package. Align the four screws **(2f)** hanging downward from the mounting plate **(2c)** to the four holes inside the canopy **(2g)**. Push the canopy up towards the ceiling so the screws point through the holes in the canopy **(2g)**. Next, screw on the four decorative nuts **(3a)** onto the four screws pointing through the canopy **(2g)**, this will secure the canopy to the mounting plate.
- 4.** You have now completed the installation of your fixture, please enjoy.



**KUZCO**  
LIGHTING

19054 28th Avenue Surrey, BC Canada V3S 6M3  
T: 604 538 7162 TF: 1-855 85 KUZCO F: 604 538 7196  
W: kuzcolighting.com  
20160420