

**BASILICA
41911
PENDANTS**

PROJECT



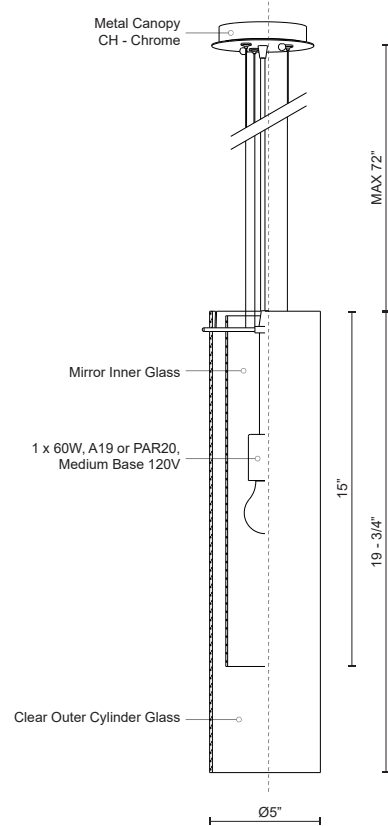
DESCRIPTION

Single lamp pendant with clear cylinder glass and inner cylinder glass in two colors options, chrome metal details.

SPECIFICATION DETAILS

* For custom options, consult factory for details.

Fixture Dimensions	D5" x H19-3/4"
Lamp Type	Incandescent, A19 or PAR20, Medium Base
Bulbs Included	No
Wattage	1 x 60W
Voltage	120V
Glass Details	Clear Outer Glass, Mirror Inner Glass
Adjustable	Yes
Wire Length	72" Max
Wire Type	Clear SVT Cord, Aircraft Cable
Location	Dry
Warranty	5 Years
Canopy Dimensions	D5-5/8" x H1"



KUZCO

19054 28TH AVENUE
SURREY - BC V3Z 6M3
CANADA

WWW.KUZCOLIGHTING.COM

COMMENT

