

**BELFAST
88291BN**

TRACK

PROJECT

DESCRIPTION

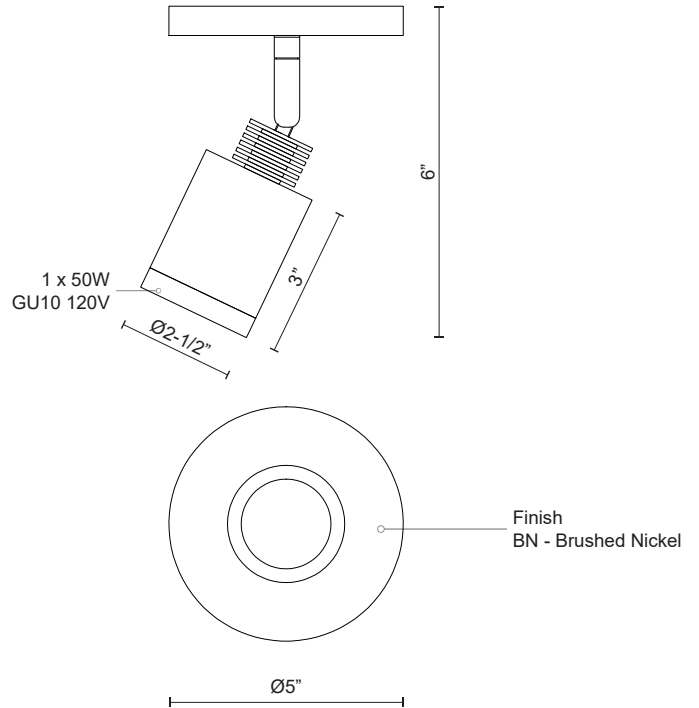
Single lamp monopoint with heavy gauge steel head and brushed nickel finish.



SPECIFICATION DETAILS

* For custom options, consult factory for details.

Fixture Dimensions	D5" x H6"
Lamp Type	Halogen, GU10
Bulbs Included	No
Wattage	1 x 50W
Voltage	120V
Diffuser Details	Clear Glass
Location	Dry
Warranty	5 Years
Canopy Dimensions	D4-3/4" x H5/8"



KUZCO

19054 28TH AVENUE
SURREY - BC V3Z 6M3
CANADA

WWW.KUZCOLIGHTING.COM

COMMENT

