

**SOLARIS
CH7898**
CHANDELIERS

PROJECT



CH7898 (4000K)
4000K



CH7898 (3000K)
3000K

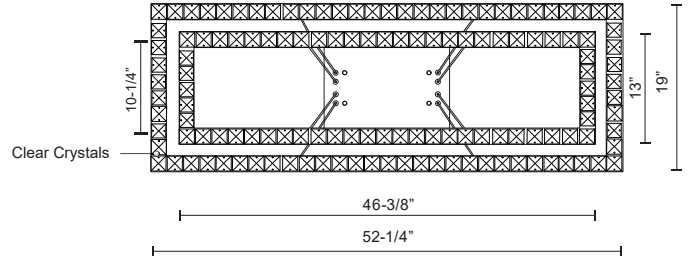
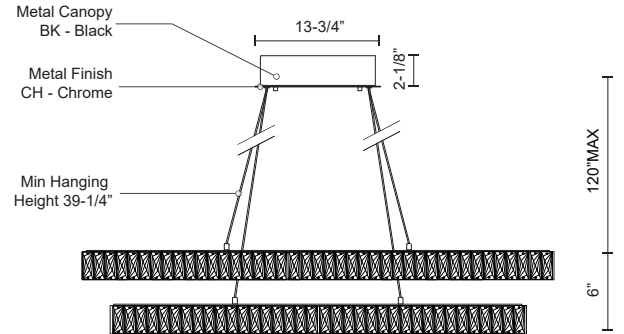
SPECIFICATION DETAILS

* For custom options, consult factory for details.

Fixture Dimensions	L52-1/4" x W19" x H6"
Light Source	LED
Wattage	204W*
Total Lumens	16000lm
Delivered Lumens	CH-9100lm*
Voltage	120V
Color Temperature	3000K; 4000K;
CRI (Ra)	>90
Optional Color Temps	2700K - 5000K Available, Minimum Order Quantities Apply
LED Rated Life	50,000 hours
Dimming	100% - 10%, ELV Dimmer (Not Included)
Crystal Details	Diamond Cut Clear Crystals
Adjustable	Yes
Wire Length	120" Max
Wire Type	Clear SVT Cord, Aircraft Cable
Location	Dry
Warranty	5 Years
Canopy Dimensions	L13-3/4" x W10-1/4" x H2-1/8"

DESCRIPTION

Aircraft cable suspended chandelier with a nested pair of diamond cut clear crystal glass rectangular fixtures with matching and rectangular chrome canopy. The two element's heights are individually adjustable in height and angle. The inner chrome chassis combines with the crystal glass and concealed LED arrays to form a crisp, elegant appearance bridging classic old-world and modern minimal design elements.



KUZCO

19054 28TH AVENUE
SURREY - BC V3Z 6M3
CANADA

WWW.KUZCOLIGHTING.COM

COMMENT

