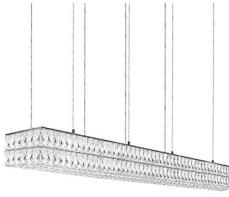


SOLARIS LP78260

PENDANTS

PROJECT



DESCRIPTION

Aircraft cable suspended linear pendant with linear diamond cut clear crystal glass and rectangular Chrome canopy. The inner chrome chassis combines with the double-layer crystals and concealed LED arrays to form a crisp, elegant appearance bridging classic old-world and modern minimal design elements. The second in a series of three sizes.



LP78260 (3000K)
3000K

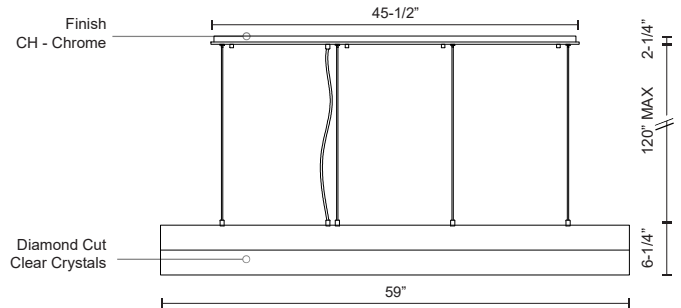


LP78260 (4000K)
4000K

SPECIFICATION DETAILS

* For custom options, consult factory for details.

Fixture Dimensions	L59" x W8-1/4" x H6-1/4"
Light Source	LED
Wattage	204W*
Total Lumens	16000lm
Delivered Lumens	CH-9100lm*
Voltage	120V
Color Temperature	3000K; 4000K;
CRI (Ra)	>90
Optional Color Temps	2700K - 5000K Available, Minimum Order Quantities Apply
LED Rated Life	50,000 hours
Dimming	100% - 10%, ELV Dimmer (Not Included)
Crystal Details	Diamond Cut Clear Crystals
Adjustable	Yes
Wire Length	120" Max
Wire Type	Clear SVT Cord, Aircraft Cable
Location	Dry
Warranty	5 Years
Canopy Dimensions	L45-1/2" x W7-3/4" x H2-1/4"



KUZCO

19054 28TH AVENUE
SURREY - BC V3Z 6M3
CANADA

WWW.KUZCOLIGHTING.COM

COMMENT