

**JAX**  
**PD51007-CH**  
**PENDANTS**

PROJECT



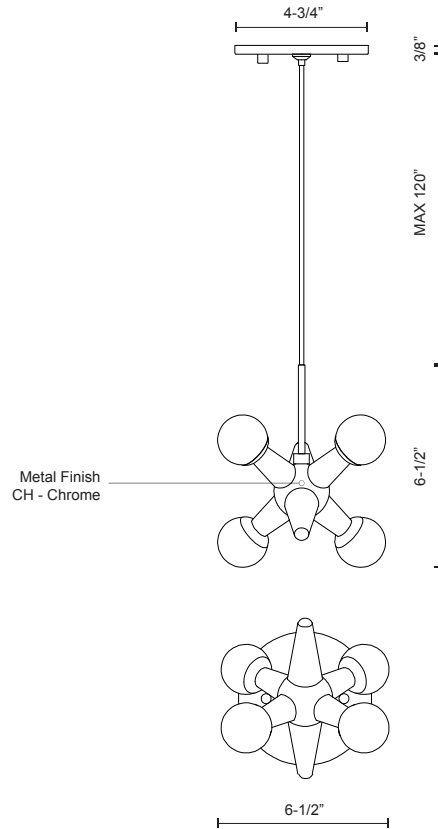
**DESCRIPTION**

Unique in design this single LED pendant is a new addition to our Jax's Collection. Polished chrome metal finish with a total of four LED lights, each covered by an elegant round white opal glass. Maximum adjustable wire length of 120", and is provided with our powerful 120V AC LED technology. Available in multi-pendants and chandeliers see series for full family details.

**SPECIFICATION DETAILS**

\* For custom options, consult factory for details.

<b>Fixture Dimensions</b>	H126-7/8" x L6-1/2" x W6-1/2"
<b>Light Source</b>	LED
<b>Wattage</b>	11W
<b>Total Lumens</b>	720lm
<b>Delivered Lumens</b>	CH-499lm
<b>Voltage</b>	120V
<b>Color Temperature</b>	3000K
<b>CRI (Ra)</b>	>90
<b>Optional Color Temps</b>	2700K - 5000K Available, Minimum Order Quantities Apply
<b>LED Rated Life</b>	50,000 hours
<b>Dimming</b>	100% - 10%, ELV Dimmer (Not Included)
<b>Glass Details</b>	White Opal Glass
<b>Adjustable</b>	Yes
<b>Wire Length</b>	120" Max
<b>Wire Type</b>	Clear SSL Wire
<b>Location</b>	Dry
<b>Warranty</b>	5 Years
<b>Canopy Dimensions</b>	D4-3/4" x H3/8"



**KUZCO**

19054 28TH AVENUE  
 SURREY - BC V3Z 6M3  
 CANADA

WWW.KUZCOLIGHTING.COM

COMMENT

