

**SOLARIS
PD7852
PENDANTS**

PROJECT



DESCRIPTION

Rectangular Pendant with Diamond Cut Clear Crystals



PD7852 (3000K)
3000K

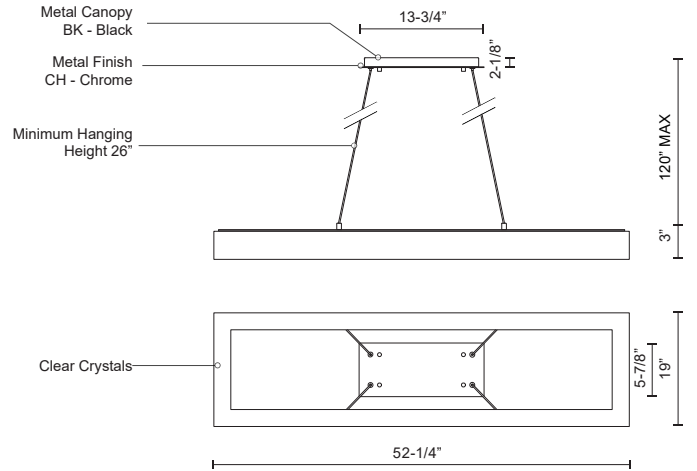


PD7852 (4000K)
4000K

SPECIFICATION DETAILS

* For custom options, consult factory for details.

Fixture Dimensions	L52-1/4" x W19" x H3"
Light Source	LED
Wattage	110W
Total Lumens	8800lm
Delivered Lumens	CH-5050lm*
Voltage	120V
Color Temperature	3000K; 4000K;
CRI (Ra)	>90
Optional Color Temps	2700K - 5000K Available, Minimum Order Quantities Apply
LED Rated Life	50,000 hours
Dimming	100% - 10%, ELV Dimmer (Not Included)
Crystal Details	Diamond Cut Clear Crystals
Adjustable	Yes
Wire Length	120" Max
Wire Type	Clear SVT Cord, Aircraft Cable
Minimum Hang Height	26"
Location	Dry
Warranty	5 Years
Canopy Dimensions	L13-3/4" x W5-7/8" x H2-1/8"



KUZCO

19054 28TH AVENUE
SURREY - BC V3Z 6M3
CANADA

WWW.KUZCOLIGHTING.COM

COMMENT

