

SOLARIS SF7842

SEMI FLUSH

PROJECT



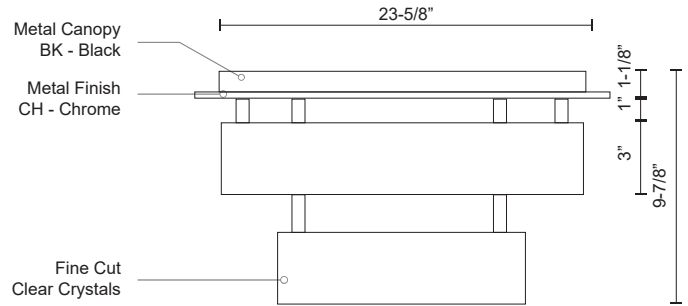
SF7842 (3000K)
3000K



SF7842 (4000K)
4000K

DESCRIPTION

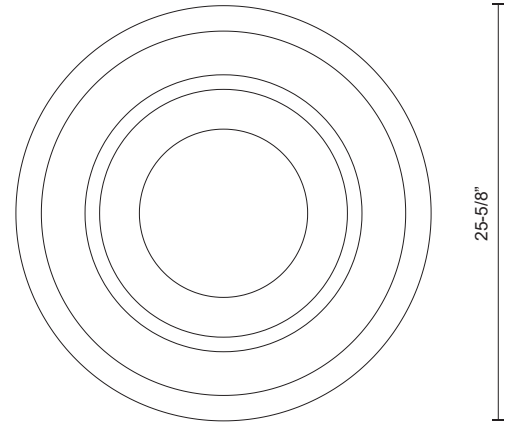
Two tiered LED semi-flush mount with two different sized rings. Each crystal ring has exquisite diamond cut clear crystals which reflects the light beautifully within the fixture and around the surrounding room. Equipped with our powerful 120V AC LED technology, 54W, Available in two different sizes, view series for full family details on a variety of semi-flush, vanity, single pendant and multi-pendant arrangements.



SPECIFICATION DETAILS

* For custom options, consult factory for details.

Fixture Dimensions	D25-5/8" x H9-7/8"
Light Source	LED
Wattage	60W
Total Lumens	4800lm
Delivered Lumens	CH-2700lm*
Voltage	120V
Color Temperature	3000K; 4000K;
CRI (Ra)	>90
Optional Color Temps	2700K - 5000K Available, Minimum Order Quantities Apply
LED Rated Life	50,000 hours
Dimming	100% - 10%, ELV Dimmer (Not Included)
Crystal Details	Diamond Cut Clear Crystals
Location	Dry
Warranty	5 Years
Canopy Dimensions	D25-5/8" x H1-1/8"



KUZCO

19054 28TH AVENUE
SURREY - BC V3Z 6M3
CANADA

WWW.KUZCOLIGHTING.COM

COMMENT

