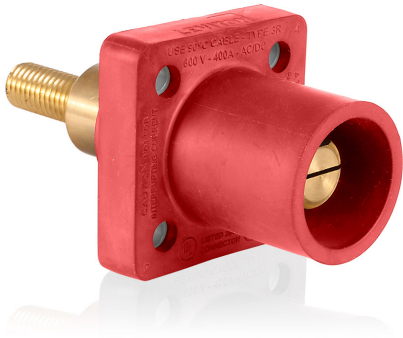


16R32-MXR



16 Series Female Receptacle, 90-Degree, #2-4/0 AWG, 1.25" Threaded Stud, 0.75" Ext Shoulder, Bulk Pack

16 Series Taper Nose Cam-Type Female Panel Mount Receptacle, 90-Degree, #2 - 4/0 AWG, 1.25" Threaded Stud, 0.75" Extended Shoulder, 400 Amp Max, 600VAC/DC, Red, Bulk Pack (15)

Leviton's Rhino-Hide Single Pole Cam-Type Connectors supply temporary electrical power for both indoor and outdoor applications. These devices are designed for easy assembly and disassembly, without special tools.

UPC Code : 078477939321

Country Of Origin : Mexico

Available Colors :

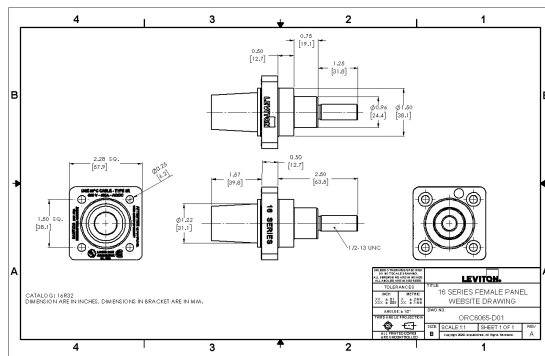


Black



- 15, 16/18, and 17 Series devices are NEMA 3R-Rated for use in outside locations
- Shatter and crack proof – high durometer thermoplastic vulcanizate (TPV - Santoprene)
- Color-coding provides fast and easy phase identification
- Common applications: entertainment, oil and gas, mining operations, power distribution, construction sites, and other temporary power applications

Dimensional Drawing



SPECIFICATION SUBMITTAL

JOB NAME: <input style="width: 95%; height: 20px;" type="text"/>	CATALOG NUMBERS: <input style="width: 95%; height: 20px;" type="text"/>
JOB NUMBER: <input style="width: 95%; height: 20px;" type="text"/>	<input style="width: 95%; height: 20px;" type="text"/>

Leviton Manufacturing Co., Inc

201 North Service Road, Melville, NY 11747

Telephone: +1-800-323-8920 · FAX: +1-800-832-9538 · Tech Line (8:30AM-7:30PM E.S.

T. Monday-Friday): +1-800-824-3005

Leviton Manufacturing of Canada, Ltd.

165 Hymus Boulevard, Pointe Claire, Quebec H9R 1E9 · Telephone: +1-800-461-2002 ·

FAX: +1-800-824-3005 ·

Leviton S. de R.L. de C.V.

Lago Tana 43, Mexico DF, Mexico CP 11290 · Tel.: (+52)55-5082-1040 · FAX: (+52) 5386- 1797 ·

Visit our Website at: www.leviton.com

© 2026 Leviton Manufacturing Co., Inc. All Rights Reserved. Subject to change without notice.

Leviton has a global presence.

If you would like to know where your local Leviton office is located please go to:

www.leviton.com/company/about-leviton/locations

© 2026 Leviton Manufacturing Co., Inc.