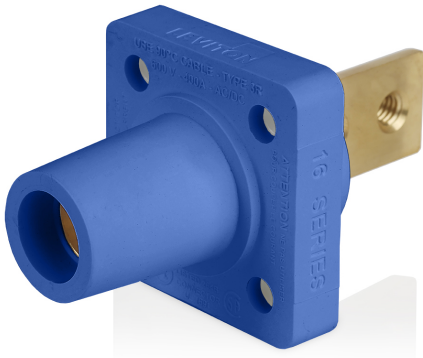


# 16R34-B



16 Series Female Receptacle, 90-Degree, #2-4/0 AWG, Double Hole Bus Bar

16 Series Taper Nose Cam-Type Female Panel Mount Receptacle, 90-Degree, #2-4/0 AWG, Double Hole Bus Bar, 400 Amp Max, 600 VAC/DC, Blue

**ROHS Compliant** : Yes

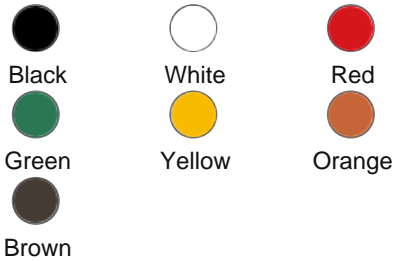
- NEMA 3R rated for outdoor use when mated
- Color-coding provides fast and easy phase identification
- Common applications: entertainment, data centers, power distribution, backup power, construction sites, disaster recovery and other temporary power applications

**Color** :  Blue

**UPC Code** : 078477026083

**Country Of Origin** : Mexico

**Available Colors :**



## Technical Information

Electrical Specifications

**Max. Amperage** : 400A

**Max. Voltage** : 651 VAC/DC

**Short Circuit Current Rating** : 35kA

Mechanical Specifications

**Cable Size Range** : #2-4/0 AWG

**Connection Type** : Bus Bar-Double Hole

**Gender** : Female

**Termination Type** : Taper-Nose

Standards & Certifications

**CSA** : 1691

**NEMA Rating** : Type 3R

**UL** : 1691

Material Specifications

**Contact** : Brass

**Insulators** : Santoprene TPV

Product Features

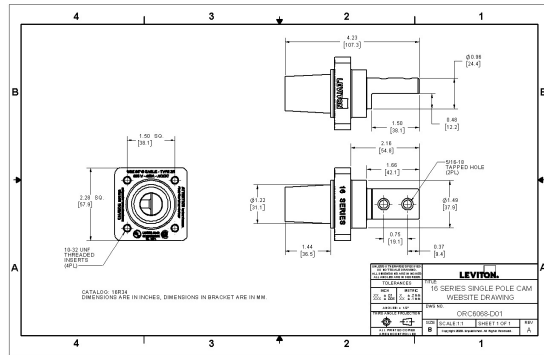
**Color** : Blue

**Series** : 16 Series

Warranty

**Warranty** : 2-Year Limited

## Dimensional Drawing



**SPECIFICATION SUBMITTAL**

<p><b>JOB NAME:</b></p> <input style="width: 100%; height: 20px;" type="text"/> <p><b>JOB NUMBER:</b></p> <input style="width: 100%; height: 20px;" type="text"/>	<p><b>CATALOG NUMBERS:</b></p> <table border="1" style="width: 100%; height: 40px;"> <tr> <td style="width: 50%;"></td> <td style="width: 50%;"></td> </tr> </table> <table border="1" style="width: 100%; height: 40px;"> <tr> <td style="width: 50%;"></td> <td style="width: 50%;"></td> </tr> </table>				

**Leviton Manufacturing Co., Inc**

201 North Service Road, Melville, NY 11747

Telephone: +1-800-323-8920 · FAX: +1-800-832-9538 · Tech Line (8:30AM-7:30PM E.S. T. Monday-Friday): +1-800-824-3005

**Leviton Manufacturing of Canada, Ltd.**

165 Hymus Boulevard, Pointe Claire, Quebec H9R 1E9 · Telephone: +1-800-461-2002 · FAX: +1-800-824-3005 ·

**Leviton S. de R.L. de C.V.**

Lago Tana 43, Mexico DF, Mexico CP 11290 · Tel.: (+52)55-5082-1040 · FAX: (+52) 5386- 1797 ·

Visit our Website at: [www.leviton.com](http://www.leviton.com)

© 2026 Leviton Manufacturing Co., Inc. All Rights Reserved. Subject to change without notice.

**Leviton has a global presence.**

If you would like to know where your local Leviton office is located please go to: [www.leviton.com/company/about-leviton/locations](http://www.leviton.com/company/about-leviton/locations)

© 2026 Leviton Manufacturing Co., Inc.