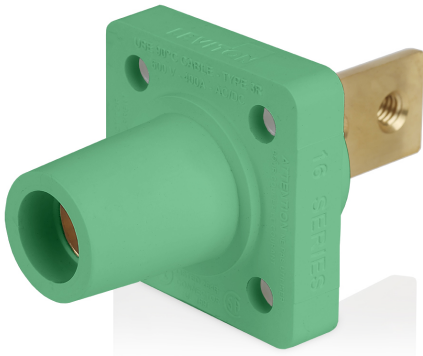


16R34-G



16 Series Female Receptacle, 90-Degree, #2-4/0 AWG, Double Hole Bus Bar

16 Series Taper Nose Cam-Type Female Panel Mount Receptacle, 90-Degree, #2-4/0 AWG, Double Hole Bus Bar, 400 Amp Max, 600 VAC/DC, Green

ROHS Compliant : Yes

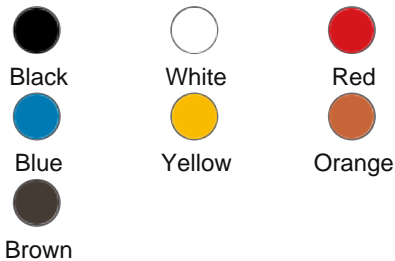
- NEMA 3R rated for outdoor use when mated
- Color-coding provides fast and easy phase identification
- Common applications: entertainment, data centers, power distribution, backup power, construction sites, disaster recovery and other temporary power applications

Color :  Green

UPC Code : 078477026090

Country Of Origin : Mexico

Available Colors :



Technical Information

Electrical Specifications

Max. Amperage : 400A

Max. Voltage : 652 VAC/DC

Short Circuit Current Rating : 35kA

Mechanical Specifications

Cable Size Range : #2-4/0 AWG

Connection Type : Bus Bar-Double Hole

Gender : Female

Termination Type : Taper-Nose

Standards & Certifications

CSA : 1691

NEMA Rating : Type 3R

UL : 1691

Material Specifications

Contact : Brass

Insulators : Santoprene TPV

Product Features

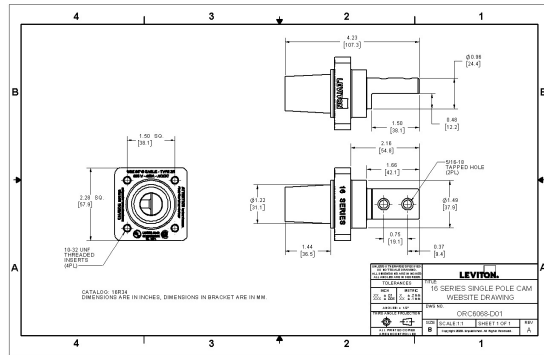
Color : Green

Series : 16 Series

Warranty

Warranty : 2-Year Limited

Dimensional Drawing



SPECIFICATION SUBMITTAL

<p>JOB NAME:</p> <input style="width: 100%; height: 20px;" type="text"/> <p>JOB NUMBER:</p> <input style="width: 100%; height: 20px;" type="text"/>	<p>CATALOG NUMBERS:</p> <table border="1" style="width: 100%; height: 40px;"> <tr> <td style="width: 50%;"></td> <td style="width: 50%;"></td> </tr> </table> <table border="1" style="width: 100%; height: 40px;"> <tr> <td style="width: 50%;"></td> <td style="width: 50%;"></td> </tr> </table>				

Leviton Manufacturing Co., Inc

201 North Service Road, Melville, NY 11747

Telephone: +1-800-323-8920 · FAX: +1-800-832-9538 · Tech Line (8:30AM-7:30PM E.S. T. Monday-Friday): +1-800-824-3005

Leviton Manufacturing of Canada, Ltd.

165 Hymus Boulevard, Pointe Claire, Quebec H9R 1E9 · Telephone: +1-800-461-2002 · FAX: +1-800-824-3005 ·

Leviton S. de R.L. de C.V.

Lago Tana 43, Mexico DF, Mexico CP 11290 · Tel.: (+52)55-5082-1040 · FAX: (+52) 5386- 1797 ·

Visit our Website at: www.leviton.com

© 2026 Leviton Manufacturing Co., Inc. All Rights Reserved. Subject to change without notice.

Leviton has a global presence.

If you would like to know where your local Leviton office is located please go to: www.leviton.com/company/about-leviton/locations

© 2026 Leviton Manufacturing Co., Inc.