

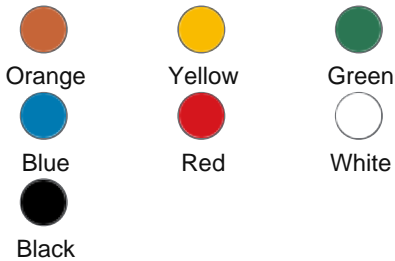
# 16R36-H

**Color :**  Brown

**UPC Code :** 078477026557

**Country Of Origin :** Mexico

**Available Colors :**



16 Series Female Receptacle, 45-Degree, #2-4/0 AWG, Double Hole Bus Bar

16 Series Taper Nose Cam-Type Female Panel Mount Receptacle, 45-Degree, #2-4/0 AWG, Double Hole Bus Bar, 400 Amp Max, 600 VAC/DC, Self-Clinching Nuts, Blue

- Color-coding provides fast and easy phase identification
- Common applications: entertainment, data centers, power distribution, backup power, construction sites, disaster recovery and other temporary power applications

## Technical Information

### Product Features

**Color :** Brown

**Series :** 16 Series

### Standards & Certifications

**CSA :** 1691

**NEMA Rating :** Type 3R

**UL :** 1691

### Material Specifications

**Contact :** Brass

**Insulators :** Santoprene TPV

### Electrical Specifications

**Max. Amperage :** 400A

**Max. Voltage :** 600 VAC/DC

**Short Circuit Current Rating :**  
35kA

### Warranty

**Warranty :** 2-Year Limited

### Mechanical Specifications

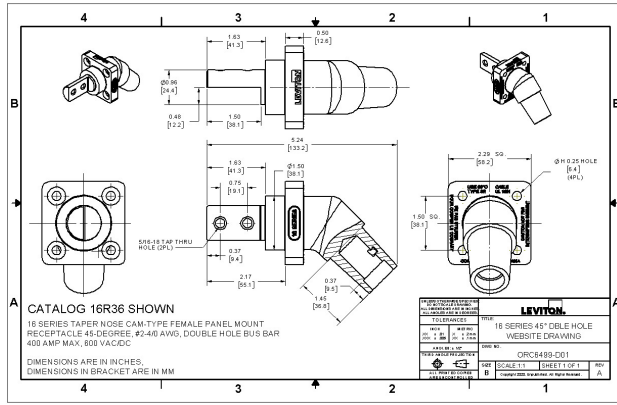
**Cable Size Range :** #2-4/0  
AWG

**Connection Type :** Bus Bar-  
Double Hole

**Gender :** Female

**Termination Type :** Taper-  
Nose

## Dimensional Drawing



**SPECIFICATION SUBMITTAL**

<p><b>JOB NAME:</b></p> <input style="width: 100%; height: 20px;" type="text"/> <p><b>JOB NUMBER:</b></p> <input style="width: 100%; height: 20px;" type="text"/>	<p><b>CATALOG NUMBERS:</b></p> <table border="1" style="width: 100%; height: 40px;"> <tr> <td style="width: 50%;"></td> <td style="width: 50%;"></td> </tr> </table> <table border="1" style="width: 100%; height: 40px;"> <tr> <td style="width: 50%;"></td> <td style="width: 50%;"></td> </tr> </table>				

**Leviton Manufacturing Co., Inc**

201 North Service Road, Melville, NY 11747

Telephone: +1-800-323-8920 · FAX: +1-800-832-9538 · Tech Line (8:30AM-7:30PM E.S.

T. Monday-Friday): +1-800-824-3005

**Leviton Manufacturing of Canada, Ltd.**

165 Hymus Boulevard, Pointe Claire, Quebec H9R 1E9 · Telephone: +1-800-461-2002 ·

FAX: +1-800-824-3005 ·

**Leviton S. de R.L. de C.V.**

Lago Tana 43, Mexico DF, Mexico CP 11290 · Tel.: (+52)55-5082-1040 · FAX: (+52)

5386- 1797 ·

**Visit our Website at: [www.leviton.com](http://www.leviton.com)**

© 2026 Leviton Manufacturing Co., Inc. All Rights Reserved. Subject to change without notice.

**Leviton has a global presence.**

If you would like to know where your local Leviton office is located please go to:

[www.leviton.com/company/about-leviton/locations](http://www.leviton.com/company/about-leviton/locations)

© 2026 Leviton Manufacturing Co., Inc.