

# 23L25-SH



23 Series Female Plug, 350-500 MCM, Crimp Tube Termination

23 Series Taper Nose Cam-Type Female Plug, Contact & Insulator, Detachable, Latching, 350-500 MCM, Crimp Tube Termination, 600 Amp Max, 600VAC/DC, Brown

Leviton's Rhino-Hide Single Pole Cam-Type Connectors supply temporary electrical power for both indoor and outdoor applications. These devices are designed for easy assembly and disassembly, without special tools.

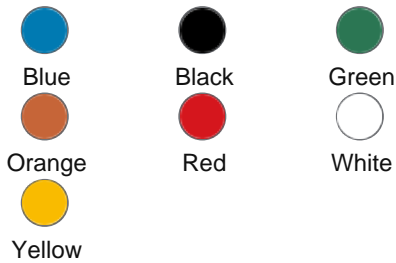
- Shatter and crack proof – high durometer thermoplastic vulcanizate (TPV - Santoprene)
- Color-coding provides fast and easy phase identification
- Common applications: entertainment, oil and gas, mining operations, power distribution, construction sites, and other temporary power applications

Color :  Brown

UPC Code : 078477993415

Country Of Origin : Mexico

**Available Colors :**



## Technical Information

Electrical Specifications

**Max. Amperage :** 600 Amp

**Max. Voltage :** 600 Volt

Mechanical Specifications

**Cable Range :** 350-500MCM  
AWG

**Connection Type :** Crimp Tube

**Gender :** Female

Material Specifications

**Contact Material :** Brass

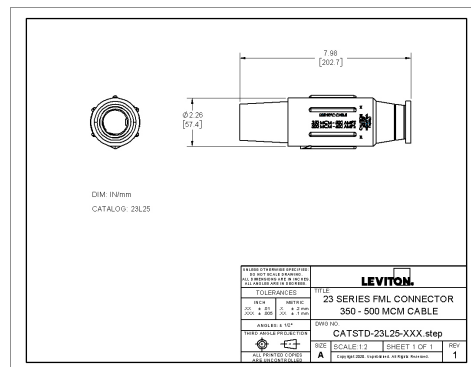
**Sleeve Material :** Santoprene

Product Features

**Color :** Brown

**Series :** 23 Series

## Dimensional Drawing



### SPECIFICATION SUBMITTAL

<p><b>JOB NAME:</b></p> <input style="width: 90%; height: 20px;" type="text"/> <p><b>JOB NUMBER:</b></p> <input style="width: 90%; height: 20px;" type="text"/>	<p><b>CATALOG NUMBERS:</b></p> <table border="1" style="width: 100%; height: 40px;"> <tr> <td style="width: 50%;"></td> <td style="width: 50%;"></td> </tr> </table> <table border="1" style="width: 100%; height: 40px;"> <tr> <td style="width: 50%;"></td> <td style="width: 50%;"></td> </tr> </table>				

**Leviton Manufacturing Co., Inc**

201 North Service Road, Melville, NY 11747

Telephone: +1-800-323-8920 · FAX: +1-800-832-9538 · Tech Line (8:30AM-7:30PM E.S.  
T. Monday-Friday): +1-800-824-3005

**Leviton Manufacturing of Canada, Ltd.**

165 Hymus Boulevard, Pointe Claire, Quebec H9R 1E9 · Telephone: +1-800-461-2002 ·  
FAX: +1-800-824-3005 ·

**Leviton S. de R.L. de C.V.**

Lago Tana 43, Mexico DF, Mexico CP 11290 · Tel.: (+52)55-5082-1040 · FAX: (+52)  
5386- 1797 ·

**Visit our Website at: [www.leviton.com](http://www.leviton.com)**

© 2026 Leviton Manufacturing Co., Inc. All Rights Reserved. Subject to change without  
notice.

**Leviton has a global presence.**

If you would like to know where your local Leviton office is located please go to:  
[www.leviton.com/company/about-leviton/locations](http://www.leviton.com/company/about-leviton/locations)

**© 2026 Leviton Manufacturing Co., Inc.**