

23L25-SO



23 Series Female Plug, 350-500 MCM, Crimp Tube Termination

23 Series Taper Nose Cam-Type Female Plug, Contact & Insulator, Detachable, Latching, 350-500 MCM, Crimp Tube Termination, 600 Amp Max, 600VAC/DC, Orange

Leviton's Rhino-Hide Single Pole Cam-Type Connectors supply temporary electrical power for both indoor and outdoor applications. These devices are designed for easy assembly and disassembly, without special tools.

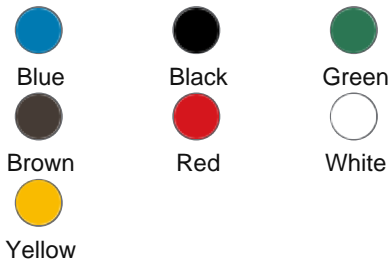
- Shatter and crack proof – high durometer thermoplastic vulcanizate (TPV - Santoprene)
- Color-coding provides fast and easy phase identification
- Common applications: entertainment, oil and gas, mining operations, power distribution, construction sites, and other temporary power applications

Color :  Orange

UPC Code : 078477993408

Country Of Origin : Mexico

Available Colors :



Technical Information

Electrical Specifications

Max. Amperage : 600 Amp

Max. Voltage : 600 Volt

Mechanical Specifications

Cable Range : 350-500MCM
AWG

Connection Type : Crimp Tube

Gender : Female

Material Specifications

Contact Material : Brass

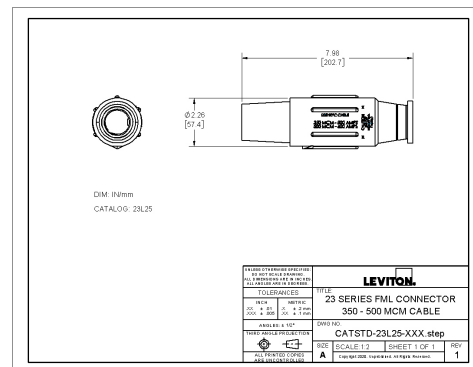
Sleeve Material : Santoprene

Product Features

Color : Orange

Series : 23 Series

Dimensional Drawing



SPECIFICATION SUBMITTAL

JOB NAME: <input style="width: 90%; height: 20px;" type="text"/> JOB NUMBER: <input style="width: 90%; height: 20px;" type="text"/>	CATALOG NUMBERS: <table border="1" style="width: 100%; height: 40px;"> <tr> <td style="width: 50%;"></td> <td style="width: 50%;"></td> </tr> </table> <table border="1" style="width: 100%; height: 40px;"> <tr> <td style="width: 50%;"></td> <td style="width: 50%;"></td> </tr> </table>				

Leviton Manufacturing Co., Inc

201 North Service Road, Melville, NY 11747

Telephone: +1-800-323-8920 · FAX: +1-800-832-9538 · Tech Line (8:30AM-7:30PM E.S.
T. Monday-Friday): +1-800-824-3005

Leviton Manufacturing of Canada, Ltd.

165 Hymus Boulevard, Pointe Claire, Quebec H9R 1E9 · Telephone: +1-800-461-2002 ·
FAX: +1-800-824-3005 ·

Leviton S. de R.L. de C.V.

Lago Tana 43, Mexico DF, Mexico CP 11290 · Tel.: (+52)55-5082-1040 · FAX: (+52)
5386- 1797 ·

Visit our Website at: www.leviton.com

© 2026 Leviton Manufacturing Co., Inc. All Rights Reserved. Subject to change without
notice.

Leviton has a global presence.

If you would like to know where your local Leviton office is located please go to:
www.leviton.com/company/about-leviton/locations

© 2026 Leviton Manufacturing Co., Inc.