

# 23R23-SW



23 Series Male Receptacle, 30-Degree, 250-777 MCM, 1" Threaded Stud

23 Series Taper Nose Cam-Type Male Panel Mount Receptacle, 30-Degree, 250-750 MCM, 1" Threaded Stud, 690 Amp Max, 600 VAC/DC, White

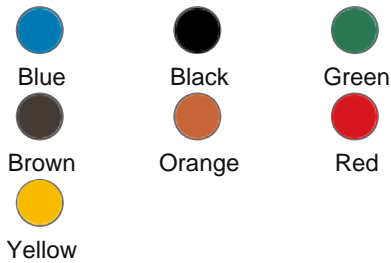
Leviton's Rhino-Hide Single Pole Cam-Type Connectors supply temporary electrical power for both indoor and outdoor applications. These devices are designed for easy assembly and disassembly, without special tools.

Color :  White

UPC Code : 078477186749

Country Of Origin : Mexico

**Available Colors :**



- Shatter and crack proof – high durometer thermoplastic vulcanizate (TPV - Santoprene)
- Color-coding provides fast and easy phase identification
- Common applications: entertainment, oil and gas, mining operations, power distribution, construction sites, and other temporary power applications

## Technical Information

Electrical Specifications

**Max. Amperage :** 690 Amp

**Max. Voltage :** 600 Volt

Mechanical Specifications

**Cable Range :** 250-777MCM

**Connection Type :** Threaded Stud

**Gender :** Male

Material Specifications

**Contact Material :** Brass

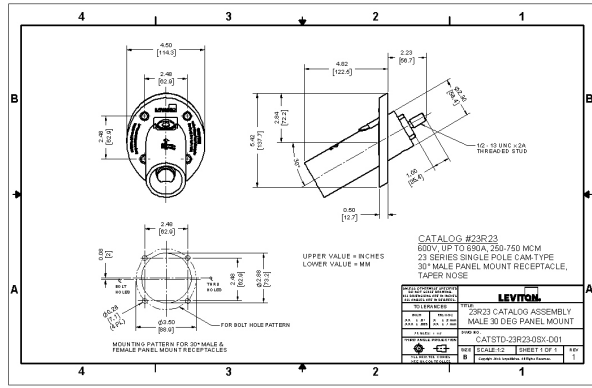
**Sleeve Material :** Santoprene TPV

**Strain Relief :** Copper Wire

Product Features

**Color :** White

## Dimensional Drawing



**SPECIFICATION SUBMITTAL**

|   |  |  |  |  |  |
|---|--|--|--|--|--|
| <p><b>JOB NAME:</b></p> <input style="width: 100%; height: 20px;" type="text"/> <p><b>JOB NUMBER:</b></p> <input style="width: 100%; height: 20px;" type="text"/> | <p><b>CATALOG NUMBERS:</b></p> <table border="1" style="width: 100%; height: 40px;"> <tr> <td style="width: 50%;"></td> <td style="width: 50%;"></td> </tr> </table> <table border="1" style="width: 100%; height: 40px;"> <tr> <td style="width: 50%;"></td> <td style="width: 50%;"></td> </tr> </table> |  |  |  |  |
|   |  |  |  |  |  |
|   |  |  |  |  |  |

**Leviton Manufacturing Co., Inc**

201 North Service Road, Melville, NY 11747

Telephone: +1-800-323-8920 · FAX: +1-800-832-9538 · Tech Line (8:30AM-7:30PM E.S. T. Monday-Friday): +1-800-824-3005

**Leviton Manufacturing of Canada, Ltd.**

165 Hymus Boulevard, Pointe Claire, Quebec H9R 1E9 · Telephone: +1-800-461-2002 · FAX: +1-800-824-3005 ·

**Leviton S. de R.L. de C.V.**

Lago Tana 43, Mexico DF, Mexico CP 11290 · Tel.: (+52)55-5082-1040 · FAX: (+52) 5386- 1797 ·

**Visit our Website at: [www.leviton.com](http://www.leviton.com)**

© 2026 Leviton Manufacturing Co., Inc. All Rights Reserved. Subject to change without notice.

**Leviton has a global presence.**

If you would like to know where your local Leviton office is located please go to:

[www.leviton.com/company/about-leviton/locations](http://www.leviton.com/company/about-leviton/locations)

© 2026 Leviton Manufacturing Co., Inc.