

29W76-B

Wetguard Watertight Locking Connector

30 Amp, 480 Volt 3-Phase, NEMA L16-30R, 3P, 4W, Locking Connector, Industrial Grade, Grounding, Wetguard - BLACK

ROHS Compliant : Yes

- BATTLE THE ELEMENTS- Resistant to water, acids, alkalis, and many automotive and industrial lubricants and solvents
- WATERTIGHT- When mated or caps are on, feature IP69K ratings for high-temperature, high-pressure washdowns
- UNIQUE DESIGN- Exclusive “tongue and groove” design provides superior ingress protection from water, dirt and debris
- HIGH PERFORMANCE- Heavy-duty, one-piece contacts for maximum conductivity electrical performance
- THE BRAND YOU TRUST- Backed by a lifetime warranty



Color :  Black

UPC Code : 078477053843

Country Of Origin : Mexico

NEMA :  L16-30R

Available Colors :


Yellow

Technical Information

Electrical Specifications

Amperage : 30 A

Current Limiting : Full Rated Current

Dielectric Voltage :
Withstands 2000V per UL498

Grounding : Grounding

Phase : 3-Phase

Pole : 3

Temperature Rise : Max 30C
after 250 cycles OL at 200
percent rated current

Voltage : 480 VAC

Wire : 4

Environmental Specifications

Environment : Wet

Flammability : Rated V-2 per
UL 94

Operating Temperature : -40°
C to 60°C

Material Specifications

Assembly Screws : Stainless
Steel, Non-Magnetic

Blades/Contacts : Electroless
Nickel-coated Brass

Body Interior : Nylon

Body Material : Santoprene
TPV

Bushing : Santoprene TPV

**Compression Nut, Strain
Relief :** Nylon

Mechanical Specifications

Cord Grip Range (in) : .625-
1.125

Product ID : Ratings and
NEMA I.D. permanently marked
on device

Terminal Accom. : #12 to #8

Terminal ID : Brass-Hot,
Green-Ground, Silver-Neutral

Terminal Screws : Electroless
Nickel-coated Brass

Wire Module : Nylon

Product Features

Brand : Wetguard

Color : Black

Device Type : Locking
Connector

NEMA : L16-30R

Standards and Certifications

ANSI : C-73

CSA C22.2 No. 42 : File LR-406

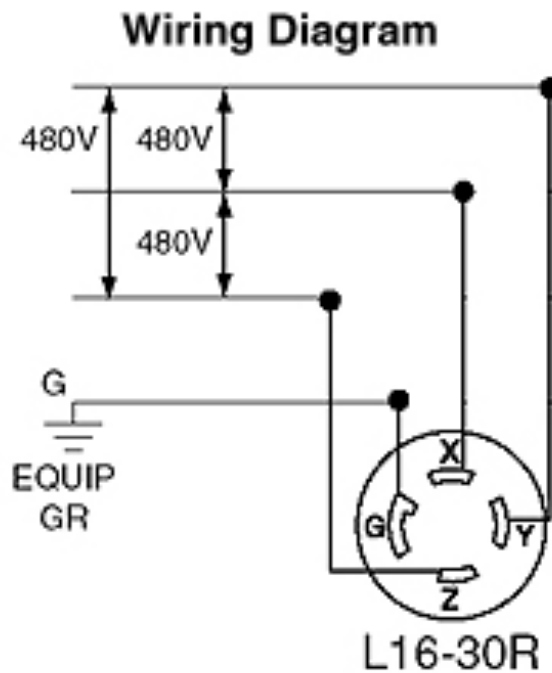
NEMA : WD-6

NOM : 057

UL : 498

Warranty : Limited Lifetime
Warranty Warranty

Wiring Diagram



SPECIFICATION SUBMITTAL

JOB NAME: <input type="text"/>	CATALOG NUMBERS: <input type="text"/>	<input type="text"/>
JOB NUMBER: <input type="text"/>	<input type="text"/>	<input type="text"/>

Leviton Manufacturing Co., Inc

201 North Service Road, Melville, NY 11747

Telephone: +1-800-323-8920 · FAX: +1-800-832-9538 · Tech Line (8:30AM-7:30PM E.S.

T. Monday-Friday): +1-800-824-3005

Leviton Manufacturing of Canada, Ltd.

165 Hymus Boulevard, Pointe Claire, Quebec H9R 1E9 · Telephone: +1-800-461-2002 ·

FAX: +1-800-824-3005 ·

Leviton S. de R.L. de C.V.

Lago Tana 43, Mexico DF, Mexico CP 11290 · Tel.: (+52)55-5082-1040 · FAX: (+52) 5386- 1797 ·

Visit our Website at: www.leviton.com

© 2026 Leviton Manufacturing Co., Inc. All Rights Reserved. Subject to change without notice.

Leviton has a global presence.

If you would like to know where your local Leviton office is located please go to:
www.leviton.com/company/about-leviton/locations

© 2026 Leviton Manufacturing Co., Inc.