

# ARC30CD072



Color :  Gray

UPC Code : 078477031117

Country Of Origin : Mexico

ArcArrest® Switch-Rated Pin & Sleeve Connector with Drawplate

30 Amp, 250 Volt, 2P+G, ArcArrest Switch-Rated Pin & Sleeve Connector with Drawplate, NEMA Type 4X, IP69K Rated, UL2682 - Gray

ArcArrest Switch-Rated Pin & Sleeve devices provide a safe, efficient way to de-energize industrial equipment – providing a local means of disconnect as required by NEC and OSHA. These devices are also rated as both branch circuit disconnect switches and motor circuit disconnect switches, ensuring compliance for a wide range of industrial applications.

- No exposure to live electrical components or arc flash, even when operating under load
- Lockout/tagout provisions in both plug and receptacle allow for fast compliance with OSHA
- Integrates both a wall-mounted disconnect and plug and connector, providing you more flexibility and portable applications
- Eliminates ingress of dust, water, and high-temperature, high-pressure washdowns with Type 4X and IP69K ratings
- Maintains a watertight seal whether connected or disconnected - when unmated, devices remain protected with receptacle lid or plug cap

## Technical Information

### Environmental Specifications

**Corrosion Resistance :**  
Ferrous parts immersed in 20° C, 10 percent ammonium chloride solution for 10 min

**Flammability :** Rated V-0 per UL 94

**IP Rating :** IP67/IP69K

**NEMA Enclosure Type :** 4X

**Operating Temperature :** -20° C to 60°C

**UV Resistance :** Exposed plastic materials are UV stabilized

### Material Specifications

**Assembly Screws :** Stainless Steel

**Body Material :** PC/PBT

**Contact Carrier :** PC/PBT

**Contacts :** Unplated or Silver-Plated Copper Alloy

**Gasket Material :** EPDM or Silicone

**Gland Cap :** PC/PBT

**Grommet/Gasket :** NBR/PVC

**Housing :** PC/PBT

**Phase and Ground Pins :** Copper Alloy

**Phase and Ground Sleeves :** Stainless Steel

**Terminal Screws :** Stainless Steel

**Washer :** HDPE

### Mechanical Specifications

### Product Features

**Cold Impact :** Drop from 30" 8 times after conditioning to -25° C, for 6 hours

**Color :** Gray

**Cord Grip Range (in) :** 0.500-0.875

**Connector :** Device Type

**Hardware Head Type :** Hex Style socket screw for terminals, philips head for all others

**Lockout/Tagout Provision :** Lockout hole on housing

**Terminal Accom. :** #12AWG - #8AWG

**Product Markings :** Brand, UL and environmental ratings molded in. Item number, ampacity, voltage, phases, HP on label

**Series :** ArcArrest

Standards and Certifications

Warranty

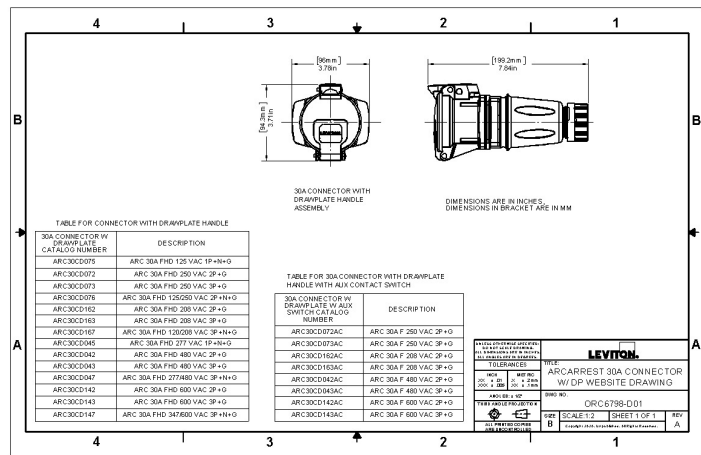
**CSA :** CSA 22.2 182.1-17 (Harmonized with UL1682)

**Warranty :** 1-Year Limited

**RoHS :** RoHS compliant components

**UL :** UL1682|UL2682

## Dimensional Drawing



### SPECIFICATION SUBMITTAL

JOB NAME:	CATALOG NUMBERS:	
<input type="text"/>	<input type="text"/>	<input type="text"/>
JOB NUMBER:	<input type="text"/>	<input type="text"/>
<input type="text"/>	<input type="text"/>	<input type="text"/>

### Leviton Manufacturing Co., Inc

201 North Service Road, Melville, NY 11747

Telephone: +1-800-323-8920 · FAX: +1-800-832-9538 · Tech Line (8:30AM-7:30PM E.S.

T. Monday-Friday): +1-800-824-3005

### Leviton Manufacturing of Canada, Ltd.

165 Hymus Boulevard, Pointe Claire, Quebec H9R 1E9 · Telephone: +1-800-461-2002 ·

FAX: +1-800-824-3005 ·

### Leviton S. de R.L. de C.V.

Lago Tana 43, Mexico DF, Mexico CP 11290 · Tel.: (+52)55-5082-1040 · FAX: (+52)

5386- 1797 ·

**Visit our Website at: [www.leviton.com](http://www.leviton.com)**

© 2026 Leviton Manufacturing Co., Inc. All Rights Reserved. Subject to change without notice.

**Leviton has a global presence.**

If you would like to know where your local Leviton office is located please go to:

[www.leviton.com/company/about-leviton/locations](http://www.leviton.com/company/about-leviton/locations)

**© 2026 Leviton Manufacturing Co., Inc.**