

# ARC30CD143



ArcArrest® Switch-Rated Pin & Sleeve Connector with Drawplate

30 Amp, 3Ø 600 Volt, 3P+G, ArcArrest Switch-Rated Pin & Sleeve Connector with Drawplate, NEMA Type 4X, IP69K Rated, UL2682 - Gray

ArcArrest Switch-Rated Pin & Sleeve devices provide a safe, efficient way to de-energize industrial equipment – providing a local means of disconnect as required by NEC and OSHA. These devices are also rated as both branch circuit disconnect switches and motor circuit disconnect switches, ensuring compliance for a wide range of industrial applications.

Color :  Gray

UPC Code : 078477031490

Country Of Origin : Mexico

- No exposure to live electrical components or arc flash, even when operating under load
- Lockout tagout provisions in both plug and receptacle allow for fast compliance with OSHA
- Integrates both a wall-mounted disconnect and plug and connector, providing you more flexibility and portable applications
- Eliminates ingress of dust, water, and high-temperature, high-pressure washdowns with Type 4X and IP69K ratings
- Maintains a watertight seal whether connected or disconnected - when unmated, devices remain protected with receptacle lid or plug cap

## Technical Information

### Electrical Specifications

**Phase** : 3 Phase

**Amperage** : 30A

**Pole** : 3P+G

**Voltage** : 600V

**Wire** : 4

### Environmental Specifications

**Corrosion Resistance** :

Ferrous parts immersed in 20° C, 10 percent ammonium chloride solution for 10 min

**Flammability** : Rated V-0 per UL 94

**IP Rating** : IP67/IP69K

**NEMA Enclosure Type** : 4X

**Operating Temperature** : -20° C to 60° C

**UV Resistance** : Exposed plastic materials are UV stabilized

### Material Specifications

**Assembly Screws** : Stainless Steel

**Body Material** : PC/PBT

**Contact Carrier** : PC/PBT

**Contacts** : Unplated or Silver-Plated Copper Alloy

### Mechanical Specifications

**Cold Impact** : Drop from 30" 8 times after conditioning to -25° C, for 6 hours

**Cord Grip Range (in)** : 0.500-0.875

**Hardware Head Type** : Hex Style socket screw for

**Gasket Material :** EPDM or Silicone

terminals, philips head for all others

**Gland Cap :** PC/PBT

**Terminal Accom. :** #12AWG - #8AWG

**Grommet/Gasket :** NBR/PVC

**Housing :** PC/PBT

**Phase and Ground Pins :**  
Copper Alloy

**Phase and Ground Sleeves :**  
Stainless Steel

**Terminal Screws :** Stainless Steel

**Washer :** HDPE

Product Features

Standards and Certifications

**Color :** Gray

**CSA :** CSA 22.2 182.1-17 (Harmonized with UL1682)

**Device Type :** Connector

**RoHS :** RoHS compliant components

**Lockout/Tagout Provision :**  
Lockout hole on housing

**UL :** UL1682|UL2682

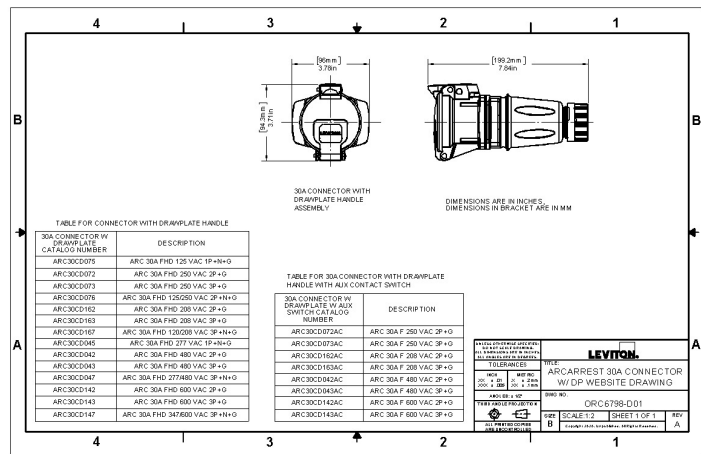
**Product Markings :** Brand, UL and environmental ratings molded in. Item number, ampacity, voltage, phases, HP on label

**Series :** ArcArrest

Warranty

**Warranty :** 1-Year Limited

## Dimensional Drawing



### SPECIFICATION SUBMITTAL

<b>JOB NAME:</b> <input type="text"/>	<b>CATALOG NUMBERS:</b> <input type="text"/>
<b>JOB NUMBER:</b> <input type="text"/>	<input type="text"/>

201 North Service Road, Melville, NY 11747

Telephone: +1-800-323-8920 · FAX: +1-800-832-9538 · Tech Line (8:30AM-7:30PM E.S.  
T. Monday-Friday): +1-800-824-3005

**Leviton Manufacturing of Canada, Ltd.**

165 Hymus Boulevard, Pointe Claire, Quebec H9R 1E9 · Telephone: +1-800-461-2002 ·  
FAX: +1-800-824-3005 ·

**Leviton S. de R.L. de C.V.**

Lago Tana 43, Mexico DF, Mexico CP 11290 · Tel.: (+52)55-5082-1040 · FAX: (+52)  
5386- 1797 ·

**Visit our Website at: [www.leviton.com](http://www.leviton.com)**

© 2026 Leviton Manufacturing Co., Inc. All Rights Reserved. Subject to change without  
notice.

**Leviton has a global presence.**

If you would like to know where your local Leviton office is located please go to:  
[www.leviton.com/company/about-leviton/locations](http://www.leviton.com/company/about-leviton/locations)

**© 2026 Leviton Manufacturing Co., Inc.**