



CSB3-15T

20 Amp, Toggle Switch, 3-Way, Quiet Switch, Commercial Spec Grade

15 Amp, 120/277 Volt, Toggle 3-Way AC Quiet Switch, Commercial Grade, Grounding, Back & Side Wired, - Light Almond

Leviton's Commercial Specification Grade switches are designed to offer outstanding reliability and top performance in commercial settings. Ideal applications include municipal facilities, government buildings, malls, department stores, hospital and health care facilities, office buildings, schools, colleges, universities, houses of worship and cultural institutions. Leviton offers a large selection of 15 and 20 Amp Commercial switches, available in a wide variety of colors, wiring options and other features.

UPC Code : 078477301661

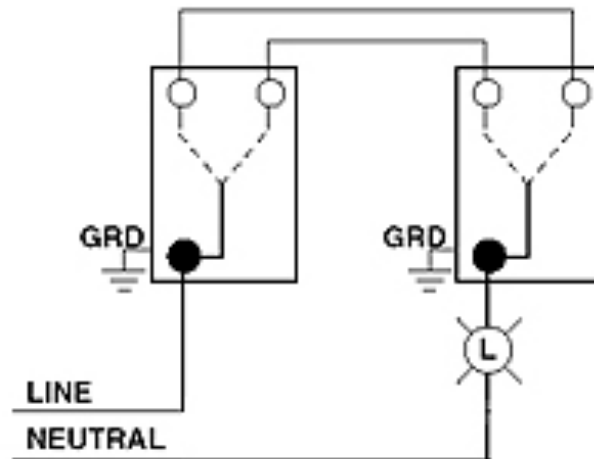
Country Of Origin : Mexico

Available Colors :



Wiring Diagram

Wiring Diagram 3-Way to 3-Way



SPECIFICATION SUBMITTAL

JOB NAME: <input type="text"/>	CATALOG NUMBERS: <input type="text"/> <input type="text"/>	
JOB NUMBER: <input type="text"/>	<input type="text"/> <input type="text"/>	

201 North Service Road, Melville, NY 11747

Telephone: +1-800-323-8920 · FAX: +1-800-832-9538 · Tech Line (8:30AM-7:30PM E.S.
T. Monday-Friday): +1-800-824-3005

Leviton Manufacturing of Canada, Ltd.

165 Hymus Boulevard, Pointe Claire, Quebec H9R 1E9 · Telephone: +1-800-461-2002 ·
FAX: +1-800-824-3005 ·

Leviton S. de R.L. de C.V.

Lago Tana 43, Mexico DF, Mexico CP 11290 · Tel.: (+52)55-5082-1040 · FAX: (+52)
5386- 1797 ·

Visit our Website at: www.leviton.com

© 2026 Leviton Manufacturing Co., Inc. All Rights Reserved. Subject to change without
notice.

Leviton has a global presence.

If you would like to know where your local Leviton office is located please go to:
www.leviton.com/company/about-leviton/locations

© 2026 Leviton Manufacturing Co., Inc.