

# 2516

20 Amp, Flanged Outlet Locking Receptacle, Industrial Grade

20 Amp, 120/208 Volt 3-Phase Y, NEMA L21-20R, 4P, 5W, Flanged Outlet Locking Receptacle, Industrial Grade, Grounding - WHITE

**ROHS Compliant :** Yes

- One piece contacts reduce friction and overheating
- Rugged nylon construction resists impact, sunlight, chemicals, and rough use
- Ratings and NEMA I.D. permanently marked on device
- Industry exclusive limited lifetime warranty



**UPC Code :** 078477806531

**Country Of Origin :** Mexico

**NEMA :**  L21-20R

## Technical Information

### AC Horsepower Ratings

**At Rated Voltage :** 2 HP

### Electrical Specifications

**Amperage :** 20 A

**Current Limiting :** Full Rated Current

**Dielectric Voltage :**  
Withstands 2000V per UL498

**Grounding :** Grounding

**Phase :** 3-Phase WYE

**Pole :** 4

**Temperature Rise :** Max 30C after 250 cycles OL at 200 percent rated current

**Voltage :** 120/208 VAC

**Wire :** 5

### Environmental Specifications

**Environment :** Dry

**Flammability :** Rated V-2 per UL 94

**Operating Temperature :** -40° C to 60°C

### Material Specifications

**Body Material :** Nylon

**Color :** White

**Face Material :** Nylon

**Grounding Screw :** Brass 8-32

**Line Contacts :** Brass .035 Thick

**Strap Material :** Thermoplastic Nylon

**Terminal Screws :** Brass 10-32

### Mechanical Specifications

**Product ID :** Ratings and NEMA I.D. permanently marked on device

### Product Features

**Brand :** Black and White

**Color :** White

**Screw Terminal Torque :** 10-14 in-lbs

**Device Type :** Locking Flanged Outlet

**Terminal Accom. :** 18-10 AWG **NEMA :** L21-20R

**Terminal ID :** Brass-Hot, Green-Ground, Silver-Neutral

**Termination :** Back

**Torque Range :** 10-14 in-lbs

Standards and Certifications

**ANSI :** C-73

**CSA C22.2 No. 42 :** File LR-406

**NOM :** 057

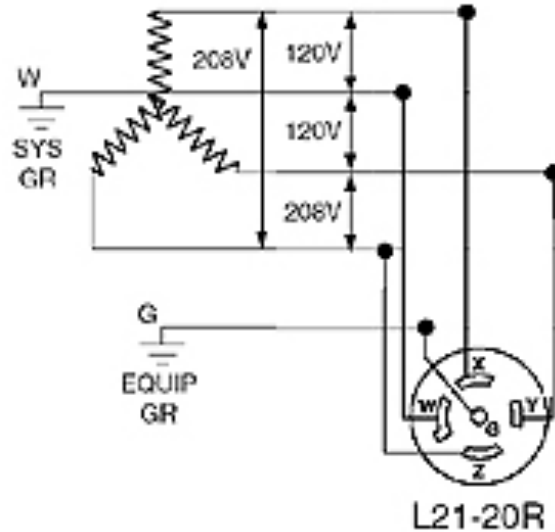
**UL Fed Spec WC-596 :** File E13399

**UL498 :** File E13399

**Warranty :** Limited Lifetime Warranty

### Wiring Diagram

### Wiring Diagram



#### SPECIFICATION SUBMITTAL

JOB NAME: <input type="text"/>	CATALOG NUMBERS: <input type="text"/>	
JOB NUMBER: <input type="text"/>	<input type="text"/>	<input type="text"/>

Telephone: +1-800-323-8920 · FAX: +1-800-832-9538 · Tech Line (8:30AM-7:30PM E.S.  
T. Monday-Friday): +1-800-824-3005

**Leviton Manufacturing of Canada, Ltd.**

165 Hymus Boulevard, Pointe Claire, Quebec H9R 1E9 · Telephone: +1-800-461-2002 ·  
FAX: +1-800-824-3005 ·

**Leviton S. de R.L. de C.V.**

Lago Tana 43, Mexico DF, Mexico CP 11290 · Tel.: (+52)55-5082-1040 · FAX: (+52)  
5386- 1797 ·

**Visit our Website at: [www.leviton.com](http://www.leviton.com)**

© 2026 Leviton Manufacturing Co., Inc. All Rights Reserved. Subject to change without  
notice.

**Leviton has a global presence.**

If you would like to know where your local Leviton office is located please go to:  
[www.leviton.com/company/about-leviton/locations](http://www.leviton.com/company/about-leviton/locations)

**© 2026 Leviton Manufacturing Co., Inc.**