



M8200-HB

Lev-Lok Duplex Receptacle

Lev-Lok Duplex Receptacle Outlet, Heavy-Duty Hospital Grade, Smooth Face, 15 Amp, 125 Volt, Modular, NEMA 5-15R, 2-Pole, 3-Wire, Self-Grounding - Blue **Mating Lev-Lok Wiring Module Required for Use**

[Lev-Lok Savings Calculator](#)

Technical Information

[AC Horsepower Ratings](#)

Horsepower Rating : 1/2 HP

[Electrical Specifications](#)

Amperage : 15 A

Current Interrupting : Certified for current interrupting at full rated current

Dielectric Voltage : Withstands 2000V per UL498

Grounding : Self-Grounding

Maximum Working Voltage : 125V as rated

Pole : 2

Temperature Rise : Max 30C after 250 cycles OL at 200 percent rated current

Voltage : 125 VAC

Wire : 3

[Environmental Specifications](#)

Flammability : Rated V-2 per UL94

Operating Temperature : -40° C to 60°C

[Material Specifications](#)

Base Material : Nylon

Bushing : Solid Brass

Cover Material : Nylon

Ground Clips : Brass

Line Contacts : 0.040" Thick Solid Brass

Locking Pins : Solid Brass

Mounting Screws : Triple Combination Head, Steel

Mounting Strap : Galvanized Steel with Riveted Ground Contacts

[Mechanical Specifications](#)

Product ID : Ratings are permanently marked on device

Termination : Modular

[Product Features](#)

Brand : Lev-Lok

Color : Blue

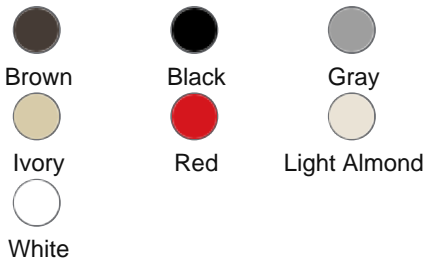
Color :  Blue

UPC Code : 078477456187

Country Of Origin : Mexico

NEMA :  5-15R

Available Colors :



Device Type : Duplex
Receptacle Outlet

Feature 4 : Smooth Face

Grade : Heavy-Duty Hospital
Grade

NEMA : 5-15R

Standards and Certifications

ANSI : C-73

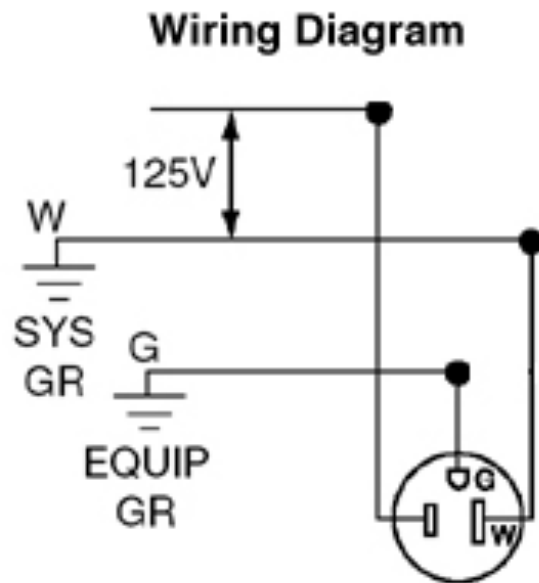
NEMA : WD-1 & WD-6

NOM Certified : 057

Warranty : 10-Year Limited

cULus : Listed

Wiring Diagram



5-15R

SPECIFICATION SUBMITTAL

JOB NAME: <input type="text"/>	CATALOG NUMBERS: <input type="text"/>	<input type="text"/>
JOB NUMBER: <input type="text"/>	<input type="text"/>	<input type="text"/>

Leviton Manufacturing Co., Inc

201 North Service Road, Melville, NY 11747

Telephone: +1-800-323-8920 · FAX: +1-800-832-9538 · Tech Line (8:30AM-7:30PM E.S.

T. Monday-Friday): +1-800-824-3005

Leviton Manufacturing of Canada, Ltd.

165 Hymus Boulevard, Pointe Claire, Quebec H9R 1E9 · Telephone: +1-800-461-2002 ·

FAX: +1-800-824-3005 ·

Leviton S. de R.L. de C.V.

Lago Tana 43, Mexico DF, Mexico CP 11290 · Tel.: (+52)55-5082-1040 · FAX: (+52) 5386- 1797 ·

Visit our Website at: www.leviton.com

© 2026 Leviton Manufacturing Co., Inc. All Rights Reserved. Subject to change without notice.

Leviton has a global presence.

If you would like to know where your local Leviton office is located please go to:

www.leviton.com/company/about-leviton/locations

© 2026 Leviton Manufacturing Co., Inc.