

MT163-B

Lev-Lok Tamper-Resistant Duplex Receptacle

Lev-Lok Decora Plus Duplex Receptacle Outlet, Heavy-Duty Industrial Specification Grade, Tamper-Resistant, Smooth Face, 20 Amp, 125 Volt, Modular, NEMA 5-20R, 2-Pole, 3-Wire, Self-Grounding - BlueMating Lev-Lok Wiring Module Required for Use

The Lev-Lok® Modular Wiring Device System is engineered for fast and easy installation. These devices employ a simple twist and lock wiring module that ensures a safe, reliable connection while at the same time providing for extremely fast and easy installation. Lev-Lok brand wiring devices address the reliability and performance concerns of specification engineers without sacrificing the contractor's need for fast, easy installation. Available in extra heavy duty hospital and industrial grades, and heavy duty commercial grade platforms.



Color :  Blue

UPC Code : 078477425244

Country Of Origin : Mexico

NEMA :  5-20R

Available Colors :



[Calculate Time & Money Saved with the Lev-Lok Savings Calculator!](#)

Technical Information

AC Horsepower Ratings

Horsepower Rating : 1 HP

Electrical Specifications

Amperage : 20 A

Current Interrupting : Certified for current interrupting at full rated current

Dielectric Voltage : Withstands 2000V per UL498

Grounding : Self-Grounding

Maximum Working Voltage : 125V as rated

Pole : 2

Temperature Rise : Max 30C after 250 cycles OL at 200 percent rated current

Voltage : 125 VAC

Wire : 3

Environmental Specifications

Operating Temperature : -40° C to 60°C

Material Specifications

Base Material : Nylon

Cover Material : Nylon

Ground Clips : Brass

Line Contacts : 0.040" Thick
Solid Brass

Locking Pins : Solid Brass

Mounting Screws : Triple
Combination Head, Steel

Mounting Strap : Galvanized
Steel with Riveted Ground
Contacts

Shutter Mechanism : Delrin®
Acetal

Mechanical Specifications

Product ID : Ratings are
permanently marked on device

Termination : Modular

Product Features

Brand : Lev-Lok Decora Plus

Color : Blue

Device Type : Duplex
Receptacle Outlet

Feature : Tamper-
Resistant|Smooth Face

Grade : Heavy-Duty Industrial
Specification Grade

NEMA : 5-20R

Standards and Certifications

ANSI : C-73

NEMA : WD-1 & WD-6

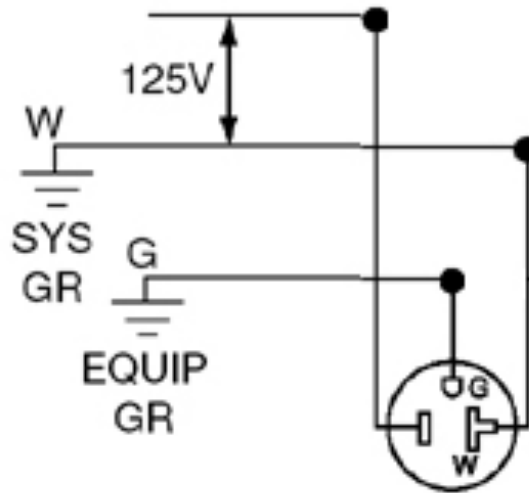
NOM Certified : 057

Warranty : 10-Year Limited

cULus : Listed

Wiring Diagram

Wiring Diagram



5-20R

SPECIFICATION SUBMITTAL

JOB NAME: <input type="text"/>	CATALOG NUMBERS: <input type="text"/>	<input type="text"/>
JOB NUMBER: <input type="text"/>	<input type="text"/>	<input type="text"/>

Leviton Manufacturing Co., Inc

201 North Service Road, Melville, NY 11747

Telephone: +1-800-323-8920 · FAX: +1-800-832-9538 · Tech Line (8:30AM-7:30PM E.S.

T. Monday-Friday): +1-800-824-3005

Leviton Manufacturing of Canada, Ltd.

165 Hymus Boulevard, Pointe Claire, Quebec H9R 1E9 · Telephone: +1-800-461-2002 ·

FAX: +1-800-824-3005 ·

Leviton S. de R.L. de C.V.

Lago Tana 43, Mexico DF, Mexico CP 11290 · Tel.: (+52)55-5082-1040 · FAX: (+52)

5386- 1797 ·

Visit our Website at: www.leviton.com

© 2026 Leviton Manufacturing Co., Inc. All Rights Reserved. Subject to change without notice.

Leviton has a global presence.

If you would like to know where your local Leviton office is located please go to:

www.leviton.com/company/about-leviton/locations

© 2026 Leviton Manufacturing Co., Inc.