

MT163-IGE



Color :  Black

UPC Code : 078477501948

Country Of Origin : Mexico

NEMA :  5-20R

Available Colors :



Lev-Lok Isolated Ground Tamper-Resistant Duplex Receptacle

Lev-Lok Decora Plus Isolated Ground Duplex Receptacle Outlet, Heavy-Duty Industrial Specification Grade, Tamper-Resistant, Smooth Face, 20 Amp, 125 Volt, Modular, NEMA 5-20R, 2-Pole, 3-Wire, Self-Grounding - Black **Mating Lev-Lok Wiring Module Required for Use**

The Lev-Lok® Modular Wiring Device System is engineered for fast and easy installation. These devices employ a simple twist and lock wiring module that ensures a safe, reliable connection while at the same time providing for extremely fast and easy installation. Lev-Lok brand wiring devices address the reliability and performance concerns of specification engineers without sacrificing the contractor's need for fast, easy installation. Available in extra heavy duty hospital and industrial grades, and heavy duty commercial grade platforms.

Calculate Time & Money Saved with the Lev-Lok Savings Calculator!

Technical Information

AC Horsepower Ratings

Horsepower Rating : 1 HP

Electrical Specifications

Amperage : 20 A

Current Limiting : Full Rated Current

Dielectric Voltage : Withstands 2000V per UL498

Grounding : Self-Grounding

Pole : 2

Temperature Rise : Max 30C after 250 cycles OL at 200 percent rated current

Voltage : 125 VAC

Wire : 3

Environmental Specifications

Operating Temperature : -40° C to 60°C

Material Specifications

Body Material : Nylon

Color : Black

Face Material : Nylon

Ground Clips : Brass

Isolated Ground System : Brass

Line Contacts : 0.040" Thick
Solid Brass

Locking Pins : Solid Brass

Shutter Mechanism : Delrin®
Acetal

Strap Material : Galvanized
Steel

Mechanical Specifications

Lead Identification : Leads
identified in accordance with UL
498 (black, white & green)

Product ID : Markings are
permanently marked on device

Termination : Modular

Product Features

Brand : Lev-Lok Decora Plus

Color : Black

Device Type : Duplex
Receptacle Outlet

Feature : Tamper-
Resistant|Smooth Face

Function : Isolated Ground

Grade : Heavy-Duty Industrial
Specification Grade

NEMA : 5-20R

Standards and Certifications

ANSI : C-73

CSA C22.2 No. 42 : File
152105

NEMA : WD-6

NOM : 057

RoHS : Compliant

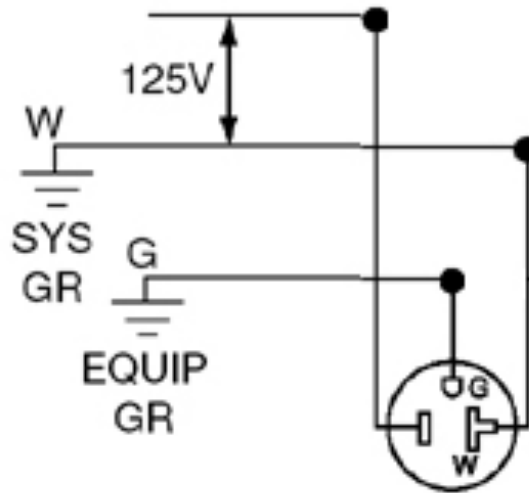
UL 498 : File E13399

UL Fed Spec WC-596 : File
E13399

Warranty : 10-Year Limited

Wiring Diagram

Wiring Diagram



5-20R

SPECIFICATION SUBMITTAL

JOB NAME: <input style="width: 90%; height: 20px;" type="text"/>	CATALOG NUMBERS: <input style="width: 45%; height: 20px;" type="text"/> <input style="width: 45%; height: 20px;" type="text"/>
JOB NUMBER: <input style="width: 90%; height: 20px;" type="text"/>	<input style="width: 45%; height: 20px;" type="text"/> <input style="width: 45%; height: 20px;" type="text"/>

Leviton Manufacturing Co., Inc

201 North Service Road, Melville, NY 11747

Telephone: +1-800-323-8920 · FAX: +1-800-832-9538 · Tech Line (8:30AM-7:30PM E.S.

T. Monday-Friday): +1-800-824-3005

Leviton Manufacturing of Canada, Ltd.

165 Hymus Boulevard, Pointe Claire, Quebec H9R 1E9 · Telephone: +1-800-461-2002 ·

FAX: +1-800-824-3005 ·

Leviton S. de R.L. de C.V.

Lago Tana 43, Mexico DF, Mexico CP 11290 · Tel.: (+52)55-5082-1040 · FAX: (+52)

5386- 1797 ·

Visit our Website at: www.leviton.com

© 2026 Leviton Manufacturing Co., Inc. All Rights Reserved. Subject to change without notice.

Leviton has a global presence.

If you would like to know where your local Leviton office is located please go to:

www.leviton.com/company/about-leviton/locations

© 2026 Leviton Manufacturing Co., Inc.