

# Wireless Companion Switch, Dimmer, Keypads, and Glass Mounting Plate



SBK00-CSW



SBK00-CDW



SBK00-4DW



SBK00-4PW



WPN01-00W

## Description

The Wireless Companion Switch, Dimmer, and Keypads pair wirelessly with the Smart Ceiling Mount Sensor (CMS) to provide a simple to install solution for wireless manual lighting control. The Wireless Companion Devices can be mounted directly on wall surfaces or at an existing single or multi-gang wallbox, no wiring required. The Wireless Companion Devices are the perfect solution for locations where a wallbox may not be located or locations where there is no wiring present.

## Applications

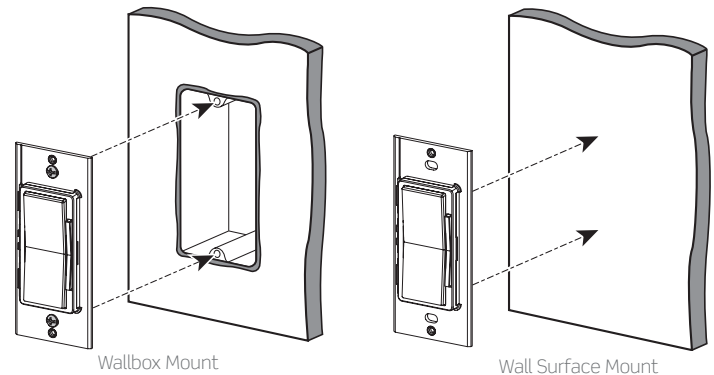
The Wireless Companion Devices work in conjunction with the CMS product line which offer occupancy/vacancy sensing, dimming (certain models only), and daylight harvesting capabilities.

- The SBK00-CSW is a rocker switch that provides ON/OFF control
- The SBK00-CDW is a rocker dimmer that provides ON/OFF control with a dimming bar for dimming control
- The SBK00-4DW is a 4-button pre-engraved (ON, OFF, Raise, Lower) keypad
- The SBK00-4PW is a 4-button pre-engraved keypad with preset dim levels (MAX, MID, LOW, OFF)
- WPN01-00W is a glass-surface mounting plate for Wireless Companion Devices

## Features

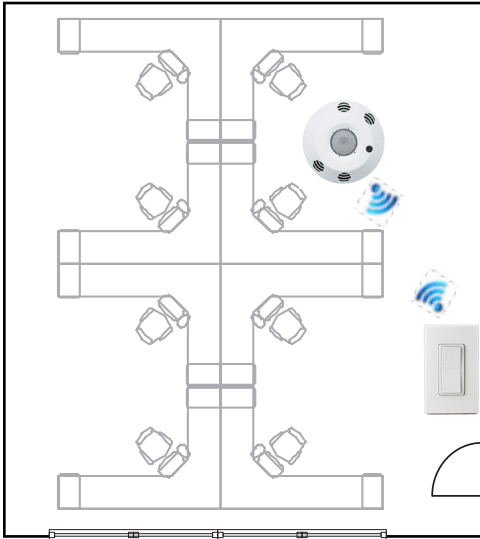
- Provides wireless switching or dimming control for Smart Ceiling Mount Sensors
- Place in any location near CMS (within 50 ft wireless RF range)
- Mounts directly to wall surface, existing wallbox (single or multi-gang), or glass surfaces (with WPN01 glass mounting plate); no wiring required.
- Easy to pair to CMS using Leviton's Smart Sensor App
- Multiple control options including primary load, secondary load (if applicable), 3-way (if applicable), and full network (if applicable)
- Use with standard Decora wallplates (single and multi-gang)
- Replaceable CR2025 batteries, with estimated 5-year battery life
- Easy battery replacement - no need to remove the device from the wall or wallbox
- Designer styling complements any interior for sleek aesthetics

## Installation



NOTE: These devices do not connect directly to the load or lights. Control of the load or lights is through the Leviton Smart Ceiling Mount Sensor, which are line voltage devices (sold separately).

## Application



## Specifications

### Electrical

Batteries	CR2025 x2, 3 V
-----------	----------------

### Wireless

Network	2.4GHz
Range	50 ft

### Environmental

Operating Temperature	32°F - 104°F (0°C - 40°C)
Storage Temperature	14°F - 185°F (-10°C - 85°C)
Relative Humidity	0-90% non-condensing

### Physical

Color	White
-------	-------

### Other

IP Rating	IP20
Listing	UL 1472, CSA C22.2 No. 184.1-15, FCC Part 15, Class B
Warranty	Limited 5-Year Warranty

## Ordering Information

### Wireless Companion Switch, Dimmer, Keypads, and Glass Mounting Plate

Cat. No.	Description
SBK00-CSW	Wireless Companion Switch, Battery powered, White
SBK00-CDW	Wireless Companion Dimmer, Battery powered, White
SBK00-4DW	Wireless Companion Keypad, 4-Button (ON, OFF, Raise, Lower), White
SBK00-4PW	Wireless Companion Keypad, 4-Button (MAX, MID, LOW, OFF), White
WPN01-00W	Glass Mounting Kit for Wireless Companion Devices

### Leviton Manufacturing Co., Inc. Global Headquarters

201 North Service Road, Melville, NY 11747-3138 **tel** 800-323-8920 **tech line** (8:00AM-10:00PM ET Mon-Fri, 9:00AM-7:00PM ET Sat, 9:00AM-5:00PM ET Sun) 800-824-3005

### Leviton Manufacturing Co., Inc. Lighting & Controls

10385 SW Avery Street, Tualatin, OR 97062 **tel** 800-736-6682 **tech line** (6:00AM-4:00PM PT Mon-Fri) 800-959-6004

Visit our Website at: [www.leviton.com/smartsensors](http://www.leviton.com/smartsensors)

©2026 Leviton Manufacturing Co., Inc. All rights reserved. Subject to change without notice.