



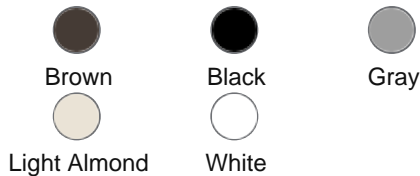
Color :  Ivory

UPC Code : 078477023372

Country Of Origin : Mexico

NEMA :  5-15R

Available Colors :



T5638-I

18W (3.6A) USB Type A/Type-C Wall Outlet Charger with 15A Tamper-Resistant Outlet

15 Amp, 125 Volt, Decora Tamper-Resistant Outlet. NEMA 5-15R, 18W, Type-A/C USB Chargers, Grounding, Side Wired & Back Wired – Ivory

- SMART – Built-in smart chip recognizes the individual device's charging requirements to optimize the charge (Does not provide Power Delivery. See Leviton T5634)
- POWER – Two charging ports deliver a combined total of 18 watts of power.
- IDEAL – Perfect for overnight charging for smart phones and other small devices, not for laptops
- CONVENIENT – No more searching for charging adapters. Upgrade your existing outlets so you can charge up to two USB powered devices at once, leaving the outlets free for additional power needs. Wallplate sold separately.

Is this USB Charger right for you? Use this tool to find the right USB Charger for your specific charging needs. Click [here](#) to learn more.

Technical Information

Product Features

Amperage : 15 A

Color : Ivory

Device Type : Decora Tamper-Resistant Duplex Receptacle

Feature : USB Type A and Type--C

Type : Type A/C Duplex Receptacle

Mechanical Specifications

Terminal Accom. : Back and Side wire terminals accept #14-#12 AWG copper or #10-#12 copper-clad wires.

Termination : Back and Side Wire

Torque Range : 14-18 in-lbs

Warranty

Warranty : 1-Year Limited

Electrical Specifications

Amperage : 15 A

Grounding : Grounding

Pole : 2

Wire : 3

Standards and Certifications

Agency Certifications : cCSAus Listed

NEMA : 5-15R

Features and Benefits

- Charges smartphones and other small devices

- Charges most Type A and Type-C USB powered devices
- Adapter-free charging for a sleek and uncluttered appearance
- No data transfer capability
- Smart chip recognizes and optimizes the charging requirements of individual devices
- Compatible with USB 3.1, 3.0, 2.0, 1.1 devices
- Tamper-Resistant to help prevent access by most non-rated /foreign objects
- USB Ports tested to withstand over 10,000 insertions
- Spec Grade
- Use with Decora wallplate or Decora+ screwless wallplate, sold separately

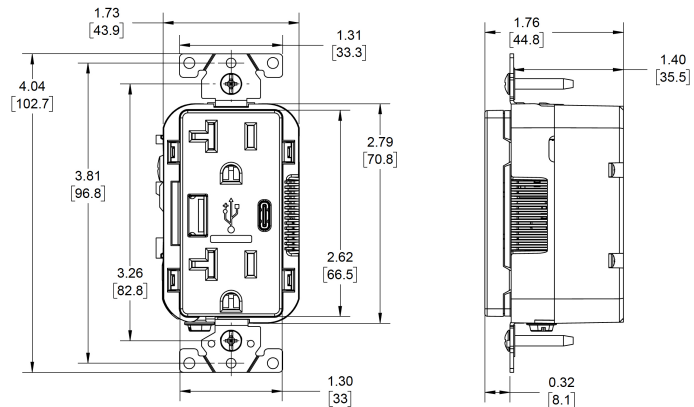
Patents *

US9543667

CA2869845

This list is provided for patent marking purposes only. A good faith effort is made to maintain the accuracy and completeness of this list. No legal inference should be drawn from the omission of a patent from this list.

Dimensional Drawing



SPECIFICATION SUBMITTAL

<p>JOB NAME:</p> <div style="border: 1px solid black; height: 20px; width: 95%; margin-bottom: 5px;"></div> <p>JOB NUMBER:</p> <div style="border: 1px solid black; height: 20px; width: 95%;"></div>	<p>CATALOG NUMBERS:</p> <table style="width: 100%; border-collapse: collapse;"> <tr> <td style="border: 1px solid black; width: 50%; height: 20px;"></td> <td style="border: 1px solid black; width: 50%; height: 20px;"></td> </tr> <tr> <td style="border: 1px solid black; width: 50%; height: 20px;"></td> <td style="border: 1px solid black; width: 50%; height: 20px;"></td> </tr> </table>				

Leviton Manufacturing Co., Inc

201 North Service Road, Melville, NY 11747

Telephone: +1-800-323-8920 · FAX: +1-800-832-9538 · Tech Line (8:30AM-7:30PM E.S.

T. Monday-Friday): +1-800-824-3005

Leviton Manufacturing of Canada, Ltd.

165 Hymus Boulevard, Pointe Claire, Quebec H9R 1E9 · Telephone: +1-800-461-2002 ·

FAX: +1-800-824-3005 ·

Leviton S. de R.L. de C.V.

Lago Tana 43, Mexico DF, Mexico CP 11290 · Tel.: (+52)55-5082-1040 · FAX: (+52)

5386- 1797 ·

Visit our Website at: www.leviton.com

© 2026 Leviton Manufacturing Co., Inc. All Rights Reserved. Subject to change without notice.

Leviton has a global presence.

If you would like to know where your local Leviton office is located please go to:

www.leviton.com/company/about-leviton/locations

© 2026 Leviton Manufacturing Co., Inc.