



# W5621-2W

20 Amp Outdoor Decora Weather-Resistant Single-Pole Switch

20 Amp, 120/277 Volt, Decora Weather-Resistant Single-Pole Switch, Residential Grade – White

- MODERN – Attractive weather-resistant switch to enhance your outdoor living space, no outdoor cover required
- WEATHER-RESISTANT – Ideal for use for in wet and damp locations
- CONVENIENT – Controls light(s) from one location
- EASY TO INSTALL – Side and back wire for easy installation
- COMPLIANT – NEMA 3R Rated to meet exterior standard

Color :  White

UPC Code : 078477003695

Country Of Origin : Mexico

Available Colors :

Gray

## Technical Information

### Product Features

**Amperage** : 20 A

**Color** : White

**Device Type** : Rocker Switch

**Feature** : Weather-Resistant

**Grade** : Commercial

**Pole** : 1

### Material Specifications

**Actuator Material** : Thermoplastic

**Body Material** : Thermoplastic

**Strap Material** : Steel

### Standards and Certifications

**NOM** : NOM

**UL Standard** : cULus

### Electrical Specifications

**Amperage** : 20 A

**HP Rating** : 1/2HP-120V 2HP-240V-277V

**Voltage** : 120/277 VAC

### Mechanical Specifications

**Termination** : Side Wire, Back Wire

**Torque Range** : 14 – 18 in.-lbs

**Type** : Weather-Resistant Rocker Switch

### Warranty

**Warranty** : 2-Year Limited

## Features and Benefits

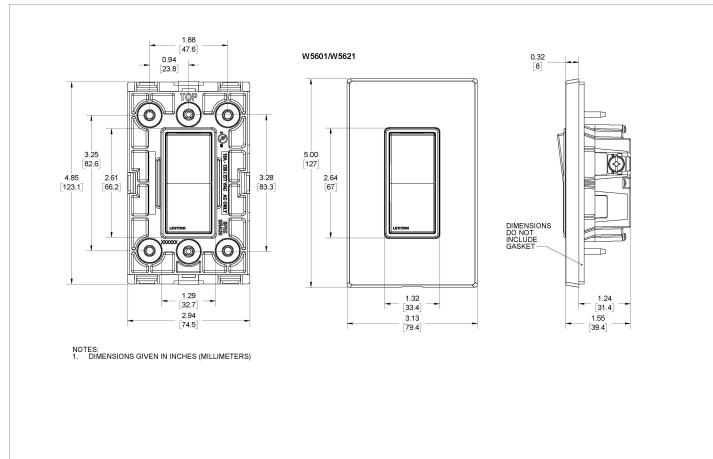
- All-in-one weather-resistant switch solution, no outdoor cover required
- Patent-pending actuation done with magnets, allowing the subplate/switch to be impervious to water intrusion
- Designed for wet and damp locations
- UV stabilized thermoplastic construction
- Rocker switch for smooth operation
- Side and back wire for easy installation
- NEMA 3R Rated to meet exterior standard
- Ideal for outdoor kitchens, patios, restaurants, decks, hotels and resorts, rooftops, event spaces and more
- 2-Year Limited Warranty

## Patents \*

US11545315

This list is provided for patent marking purposes only. A good faith effort is made to maintain the accuracy and completeness of this list. No legal inference should be drawn from the omission of a patent from this list.

## Dimensional Drawing



### SPECIFICATION SUBMITTAL

<b>JOB NAME:</b> <input type="text"/>	<b>CATALOG NUMBERS:</b> <input type="text"/>	<input type="text"/>
<b>JOB NUMBER:</b> <input type="text"/>	<input type="text"/>	<input type="text"/>

#### Leviton Manufacturing Co., Inc

201 North Service Road, Melville, NY 11747

Telephone: +1-800-323-8920 · FAX: +1-800-832-9538 · Tech Line (8:30AM-7:30PM E.S.

T. Monday-Friday): +1-800-824-3005

#### Leviton Manufacturing of Canada, Ltd.

165 Hymus Boulevard, Pointe Claire, Quebec H9R 1E9 · Telephone: +1-800-461-2002 ·

FAX: +1-800-824-3005 ·

#### Leviton S. de R.L. de C.V.

Lago Tana 43, Mexico DF, Mexico CP 11290 · Tel.: (+52)55-5082-1040 · FAX: (+52)

5386- 1797 ·

#### Visit our Website at: [www.leviton.com](http://www.leviton.com)

© 2026 Leviton Manufacturing Co., Inc. All Rights Reserved. Subject to change without notice.

#### Leviton has a global presence.

If you would like to know where your local Leviton office is located please go to:

[www.leviton.com/company/about-leviton/locations](http://www.leviton.com/company/about-leviton/locations)

© 2026 Leviton Manufacturing Co., Inc.