



ASSEMBLING & INSTALLATION INSTRUCTIONS

The drawing shown may not exactly match the product enclosed.
However, the installation instructions do apply to this product.

13704 13706

- ◆ **WARNING! SHUT POWER OFF AT FUSE OR CIRCUIT BREAKER.**
- ◆ **ATTENTION! COUPER LE COURANT AU FUSIBLE OU UN DISJONCTEUR.**

ASSEMBLING THE FIXTURE (Fig.1)

1. Shut off the power at the circuit breaker box. Remove old fixture and all hardware from Junction Box.
2. Carefully unpack your new fixture and lay out all the parts on a clear area. Take care not to lose any small parts necessary for installation.
3. Hold mounting plate up against the wall aligning the two holes on the junction box with appropriate slots on the mounting plate. While the mounting plate is leveled horizontally, use a pencil to mark the hole located near each end of mounting plate on the wall for drilling. Set aside the mounting plate and drill two holes into the wall. Then insert plastic anchors into the holes.
4. Attach the mounting plate to the junction box using two junction box screws and wood screws as shown. **The side of the mounting plate marked "GND" must face out.** The junction box is not included.
5. Follow wiring instructions carefully(see fig.2).
6. Raise the back plate of the lamp body(A) onto the mounting plate, aligning the mounting holes with mounting screws, then lock it securely with the ball nuts(B).
7. Raise the shade(C) to the lamp holder, lock it with the check ring(D) until tight.
8. Install the light bulbs(Not included) in accordance with the fixture's specifications. **DO NOT EXCEED THE MAXIMUM WATTAGE RATING!**

CONNECTING THE WIRES (Fig.2)

1. Connect the electrical wires as follows. Connect the Black wire from the fixture to the black house (hot) Wire. Connect the white wire from the fixture to the white (neutral) house wire. Make sure all wire nuts are secured. You may wrap the connections with electrical tape. If your junction box has a ground wires (green or bare copper) connect fixture's ground wire to it. Otherwise attach the bare copper fixture wire to the green ground screw on the mounting plate.
2. Tuck the wire connections neatly into the wall junction box.

Your installation is now complete. Return power to the junction box and test the fixture.

FIG.1

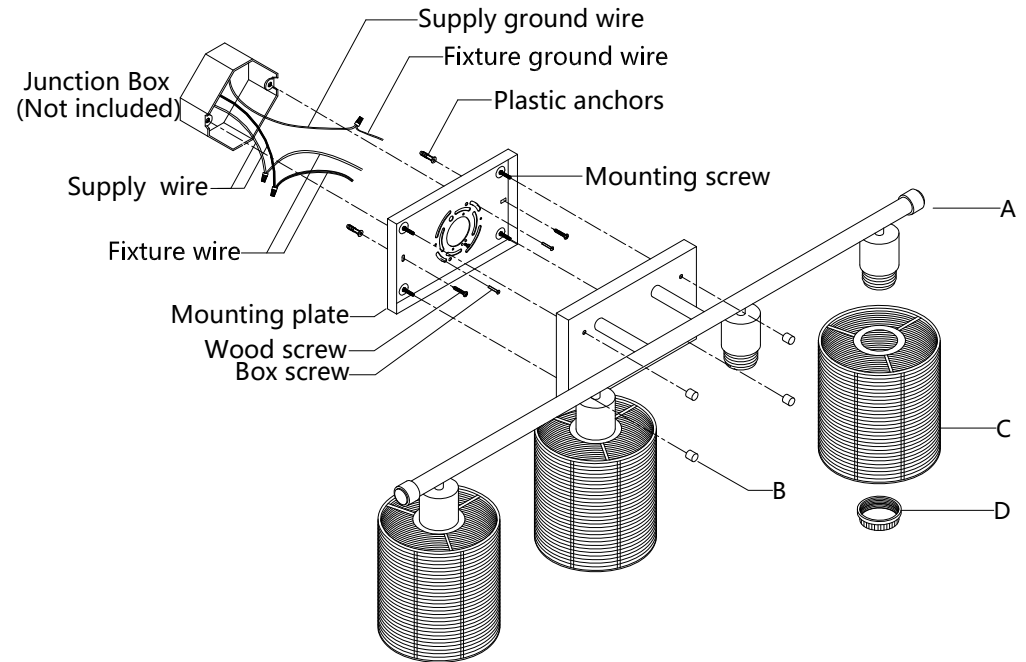
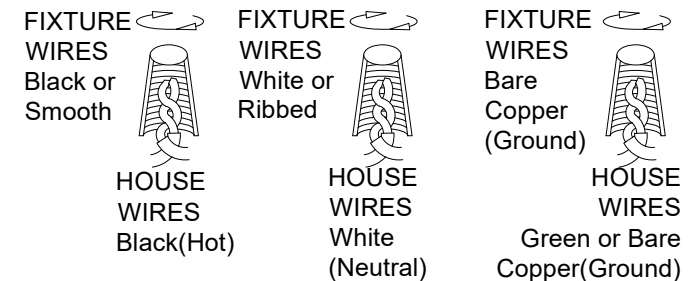


FIG.2



Thank you for purchasing a **LIVEX** product.
Need assistance with parts or assembly? Please call customer service at: **800-761-8056**
Or visit us online at: WWW.LIVEXLIGHTING.COM