



ASSEMBLING & INSTALLATION INSTRUCTIONS

The drawing shown may not exactly match the product enclosed.
However, the installation instructions do apply to this product.

51515

- ◆ **WARNING! SHUT POWER OFF AT FUSE OR CIRCUIT BREAKER.**
- ◆ **ATTENTION! COUPER LE COURANT AU FUSIBLE OU UN DISJONCTEUR.**

ASSEMBLING THE FIXTURE (Fig.1)

1. Shut off the power at the circuit breaker box. Remove old fixture and all hardware from Junction Box.
2. Carefully unpack your new fixture and lay out all the parts on a clear area. Take care not to lose any small parts necessary for installation.
3. Attach the mounting bar to the junction box with the two junction box screws as shown. The side of the mounting bar marked "GND" must face out. **The junction box is not included.**
4. By measuring, determine correct power cord length needed for proper hanging height. **NOTE: slide cord clip to the proper position, then you may properly cut the cord to desired length.**
5. While holding the fixture lamp towards the ceiling, connect the electrical wires as Shown in Fig.2, making sure that all wire nuts are secured. You may have to wrap the connections with electrical tape. If your junction box has a ground wire (green or bare copper), connect the fixture ground wire that is green to it. Otherwise connect the fixture ground wire that is green directly to the mounting bar with the green screw provided. After wires are connected, tuck them carefully inside the Junction Box.
6. Install the canopy onto the junction box, the nipple protrude from the hole in the canopy and rotation the coupling until tighten it, then lock it securely with the plastic screw.
7. Install the light bulb(Not included) in accordance with the fixture specifications. **NOTE: DO NOT EXCEED THE SPECIFIED WATTAGE!**

Your installation is now complete. Return power to the junction box and test the fixture.

FIG.1

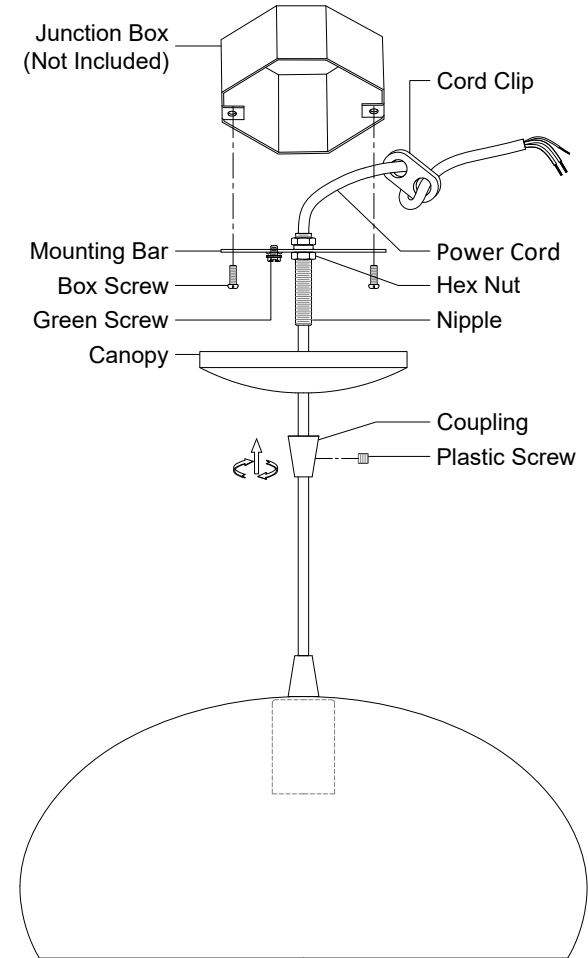
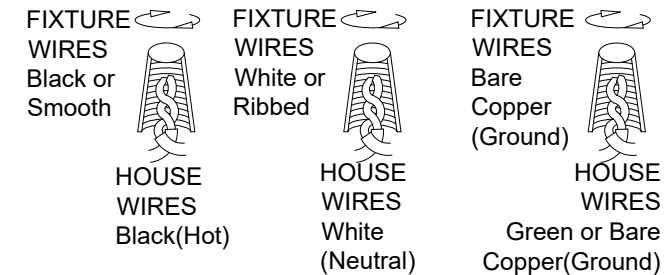


FIG.2



Thank you for purchasing a **LIVEX** product.
Need assistance with parts or assembly? Please call customer service at: **800-761-8056**
Or visit us on-line at: WWW.LIVEXLIGHTING.COM