



ASSEMBLING & INSTALLATION INSTRUCTIONS

The drawing shown may not exactly match the product enclosed.
However, the installation instructions do apply to this product.

53177

- ◆ **WARNING! SHUT POWER OFF AT FUSE OR CIRCUIT BREAKER.**
- ◆ **ATTENTION! COUPER LE COURANT AU FUSIBLE OU UN DISJONCTEUR.**

ASSEMBLING THE FIXTURE (Fig.1)

1. Shut off the power at the circuit breaker box. Remove old fixture and all hardware from Junction Box.
2. Carefully unpack your new fixture and lay out all the parts on a clear area. Take care not to lose any small parts necessary for installation.
3. Thread the two mounting screws into the pre-drilled holes in the single bar spaced the same distance apart as the holes in the canopy(A).
4. Attach the single bar to the Junction Box with the two Junction Box Screws as shown. The side of the single bar marked "GND" must face out. **The junction box is not included.**
5. Slide the electrical wires through the shade(D) center hole, tube(C) and canopy(A), then by turning it clockwise until tight.
6. While holding the lamp body towards the ceiling, connect the electrical wires as Shown in **Fig.2**, making sure that all wire nuts are secured. You may have to wrap the connections with electrical tape. If your outlet box has a ground wire (green or bare copper), connect the fixture's ground wire to it. Otherwise connect fixture's ground wire directly to the single bar with the green screw provided. After wires are connected, tuck them carefully inside the Junction Box.
7. Raise the lamp body onto the junction box, aligning screws on single bar with mounting holes in canopy and lock it securely with the column nuts(B).
8. Install the light bulbs(not included) in accordance with the fixture specifications. **NOTE: DO NOT EXCEED THE SPECIFIED WATTAGE!**

Your installation is now complete. Return power to the junction box and test the fixture.

FIG.1

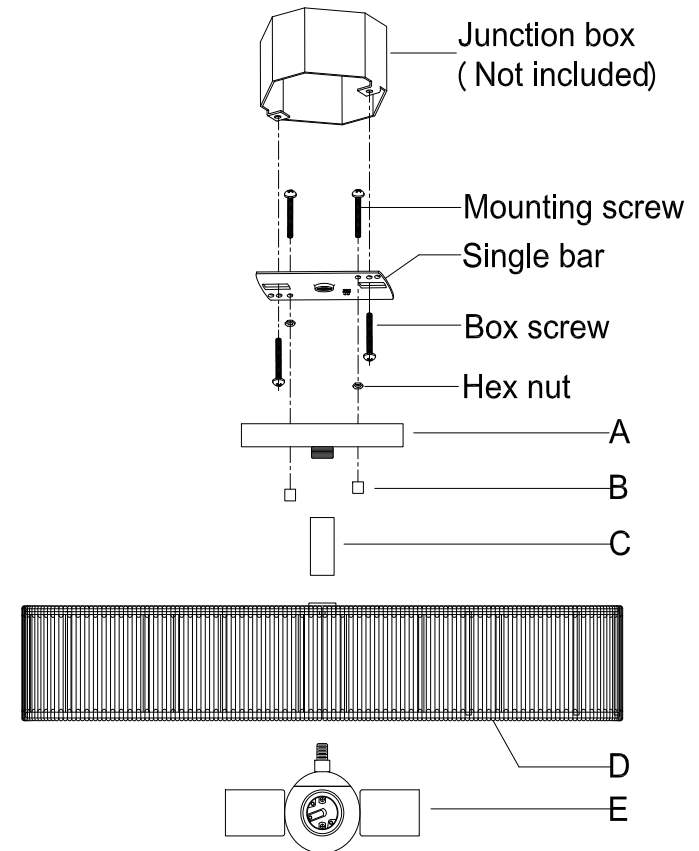
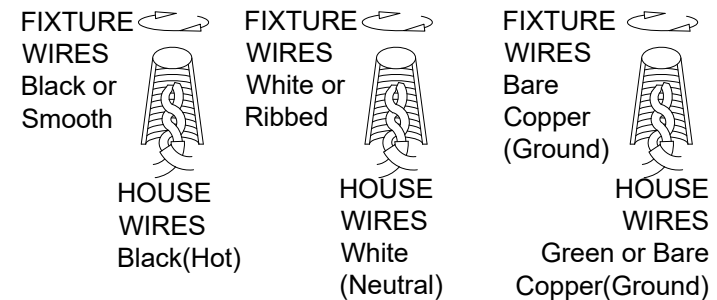


FIG.2



Thank you for purchasing a **LIVEX** product.
Need assistance with parts or assembly? Please call customer service at: **800-761-8056**
Or visit us on-line at: WWW.LIVEXLIGHTING.COM