



## ASSEMBLING & INSTALLATION INSTRUCTIONS

The drawing shown may not exactly match the product enclosed.  
However, the installation instructions do apply to this product.

**49127 53193 60234 49128 53194 60235**

- ◆ **WARNING! SHUT POWER OFF AT FUSE OR CIRCUIT BREAKER.**
- ◆ **ATTENTION! COUPER LE COURANT AU FUSIBLE OU UN DISJONCTEUR.**

### ASSEMBLING THE FIXTURE (Fig.1)

1. Shut off the power at the circuit breaker box. Remove old fixture and all hardware from Junction Box.
2. Carefully unpack your new fixture and lay out all the parts on a clear area. Take care not to lose any small parts necessary for installation.
3. Raise the shade(L) onto the lamp body(M), aligning the bracket's mounting holes with the lamp body's screw holes, lock it with the screws(K).
4. Determine the desired hanging height. Slide the electrical wires through the pipes(J)/(I)/(H) and double loop(F). Raise the pipe(J) to top thread hole of lamp body(M), by turning it clockwise until tight. Attach the thread nipple to inside of each pipes and double loop(F), connect all the parts together until secure. Attach the canopy onto the pipe thread of double loop(F) and lock it securely with the lock washer and hex nuts.
5. End of pipe thread screw(C) into single bar (D), place lock washer (B) over end of thread pipe protruding through single bar and lock it securely with the hex nut (A). Take this single bar assembly to junction box with junction box screws (E) as shown, tighten screws securely with screwdriver. The side of the single bar marked "GND" must face out. **The junction box is not included.**
6. While holding the fixture body towards the ceiling, connect the electrical wires as Shown in Fig.2, making sure that all wire nuts are secured. You may have to wrap the connections with electrical tape. If your junction box has a ground wire (green or bare copper), connect the fixture ground wire to it. Otherwise connect fixture's ground wire directly to the single bar with the green screw provided. After wires are connected, tuck them carefully inside the junction box.
7. Raise the fixture body onto the Junction box, aligning pipe thread on single bar with mounting hole in canopy and lock it securely with the finial(G).
8. Install the light bulbs(Not included) in accordance with the fixture's specifications. **NOTE: DO NOT EXCEED THE SPECIFIED WATTAGE!**

**Your installation is now complete. Return power to the junction box and test the fixture.**

FIG.1

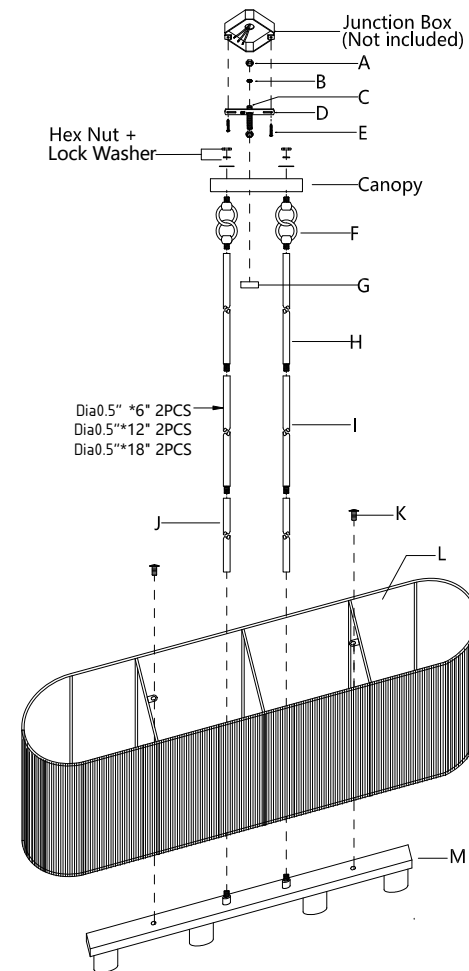
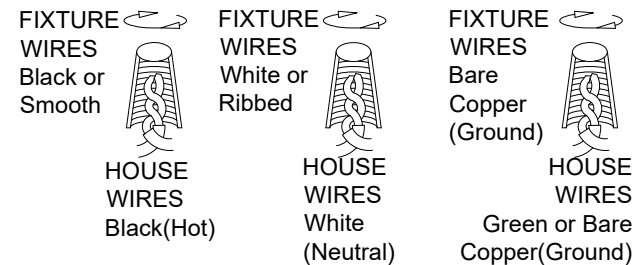


FIG.2



Thank you for purchasing a **LIVEX** product.

Need assistance with parts or assembly? Please call customer service at: **800-761-8056**

Or visit us online at: [WWW.LIVEXLIGHTING.COM](http://WWW.LIVEXLIGHTING.COM)