

C67924/C67934

INSTALLATION INSTRUCTIONS SHEET

START FROM HERE

- Make sure power is completely off at the fuse box.
- Have your fixture installed by a qualified licensed electrician
- Prepare everything in clear area.
- Wear gloves at all times during this installation.
- Read instructions carefully before you start assembly.
- Keep this instruction sheet for future reference.

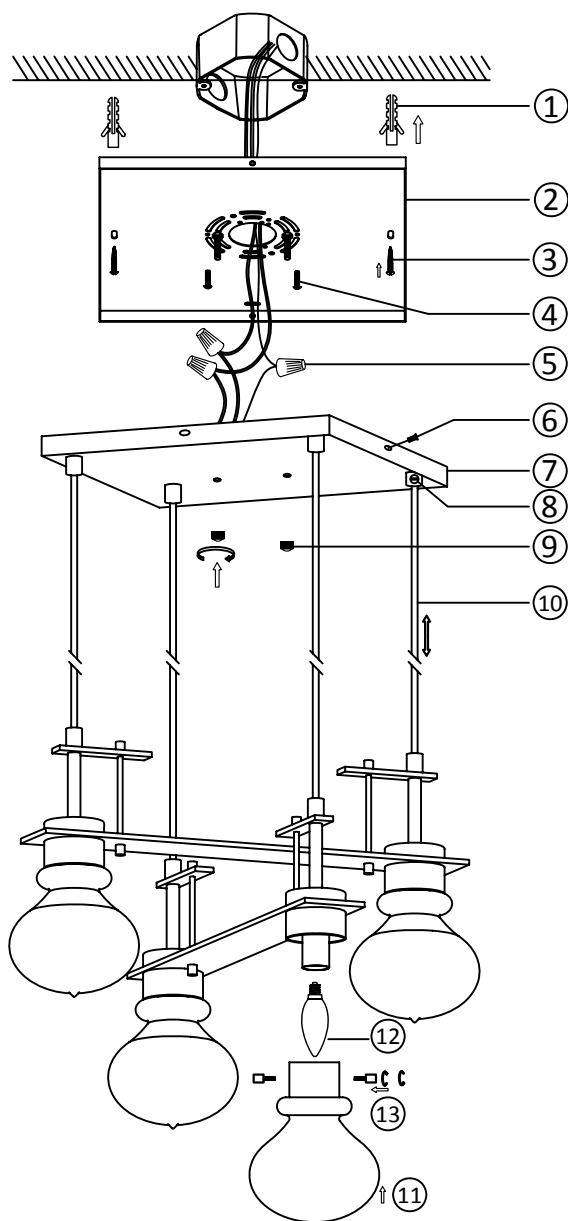
Technical Support: 1-844-628-8368

Please Note:

- All Matteo Lighting fixtures come with pre-wired module(s).
- Unless instructed to do so, please do not touch any part of the module(s) as any unnecessary contact with the module could cause permanent damage.

THIS LUMINAIRE MUST BE MOUNTED OR SUPPORTED INDEPENDENTLY OF AN OUTLET BOX

CE LUMINAIRE NE DOIT PAS ETRE MONTE SUR UNE BOITE DE SORTIE NI SUPPORTE PAR UNE TELLE BOITE



- 1 Ensure main supply is switched off.
- 2 Aim the mounting bracket(2) to the conjunction box, adjust the hole and mark the point on the wall.
- 3 Stick the nut(1) into the mark on wall and fit the mounting bracket onto conjunction box with screw(4), meanwhile double fix mounting bracket with self-tapping screw(3) to avoid gap.
- 4 Connect wires(5) according to color (White to White, Black to Black). Connect all earth plug together onto the crossbar with green screw to tight.
- 5 According to the height of house, you could change the wire(10) length by adjust the thread(8).
- 6 Hold the fixture and aim the hole on canopy(7) at the screw on mounting bracket, and fit the fixture onto bracket with screw(6). Meanwhile double fix with finials(9).
- 7 Install the lamps(12) firmly into lampholder.
- 8 Fit glass shade(11) onto fixture and screw up with thread(13).
- 9 Reconnect power.