

C80301

INSTALLATION INSTRUCTIONS SHEET

START FROM HERE

- Make sure power is completely off at the fuse box.
- Have your fixture installed by a qualified licensed electrician
- Prepare everything in clear area.
- Wear gloves at all times during this installation.
- Read instructions carefully before you start assembly.
- Keep this instruction sheet for future reference.

Technical Support: 1-844-628-8368

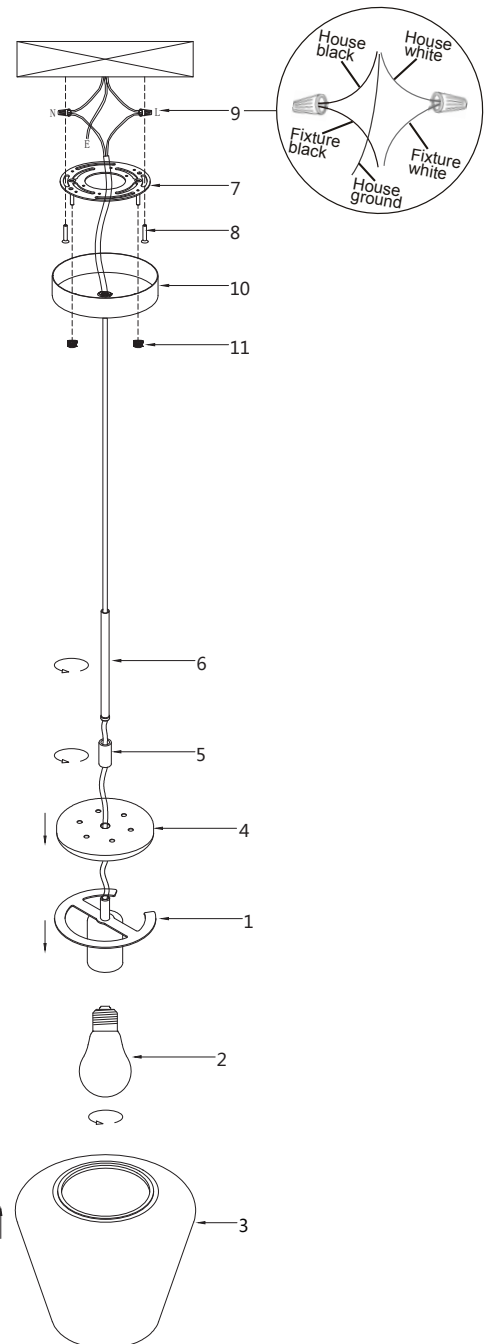
Please Note:

- All Matteo Lighting fixtures come with pre-wired module(s).
- Unless instructed to do so, please do not touch any part of the module(s) as any unnecessary contact with the module could cause permanent damage.

THIS LUMINAIRE MUST BE MOUNTED OR SUPPORTED INDEPENDENTLY OF AN OUTLET BOX

CE LUMINAIRE NE DOIT PAS ETRE MONTE SUR UNE BOITE DE SORTIE NI SUPPORTE PAR UNE TELLE BOITE

- 1 Ensure main supply is switched off.
- 2 Install the bulb (2) firmly into lampholder (1).
- 3 Fit the lampshade onto lampholder with shade ring (3).
- 4 Fix the straight rod (6) and the straight side plate (4) on the body of the fixture (1) with the parts (5).
- 5 Fit mounting bracket (7) onto mounting surface with self-tapping screws (8).
- 6 Connect wires (9) according to colour (White to White, Black to Black). Connect all earth plug together onto the crossbar with green, screw to tight.
- 7 Fit ceiling plate (10) onto mounting bracket with nuts (11).
- 8 Reconnect power.



WARNING:

This fitting must be earthed.

Disconnect power and allow fitting to cool down before cleaning or changing the lamp.