

M11901

INSTALLATION INSTRUCTIONS SHEET

START FROM HERE

- Make sure power is completely off at the fuse box.
- Have your fixture installed by a qualified licensed electrician
- Prepare everything in clear area.
- Wear gloves at all times during this installation.
- Read instructions carefully before you start assembly.
- Keep this instruction sheet for future reference.

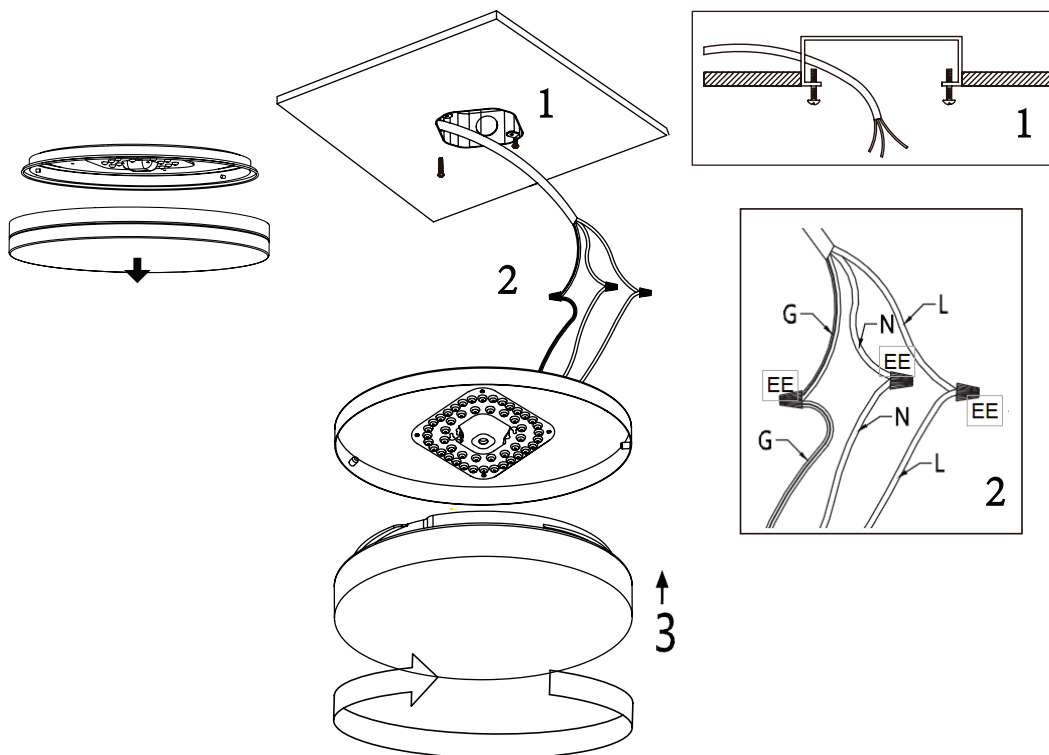
Technical Support: 1-844-628-8368

Please Note:

- All Matteo Lighting fixtures come with pre-wired module(s).
- Unless instructed to do so, please do not touch any part of the module(s) as any unnecessary contact with the module could cause permanent damage.

THIS LUMINAIRE MUST BE MOUNTED OR SUPPORTED INDEPENDENTLY OF AN OUTLET BOX

CE LUMINAIRE NE DOIT PAS ETRE MONTE SUR UNE BOITE DE SORTIE NI SUPPORTE PAR UNE TELLE BOITE



- Ensure main supply is switched off.
- Rotate the light shade to remove it from the fixture pan.
- Drive the screws into the junction box with 2/3 inside and 1/3 outside (figure1).
- Connect wires according to color (White to White, Black to Black) (figure2). Connect all earth plug together onto the crossbar with green screw to tight.
- Tuck all the wires and connectors into the junction box. Align the mounting hole on the fixture to the driven screws and put in, then twist the fixture clockwise. Use the screwdriver to adjust the screws outside length and fix the fixture on the ceiling.
- Put the night shade back to the light. Rotate to the right to install the light shade (figure3).
- Turn on power and turn on the light switch to activate the luminaire.