

M21004

INSTALLATION INSTRUCTIONS SHEET

START FROM HERE

- Make sure power is completely off at the fuse box.
- Have your fixture installed by a qualified licensed electrician
- Prepare everything in clear area.
- Wear gloves at all times during this installation.
- Read instructions carefully before you start assembly.
- Keep this instruction sheet for future reference.

Technical Support: 1-844-628-8368

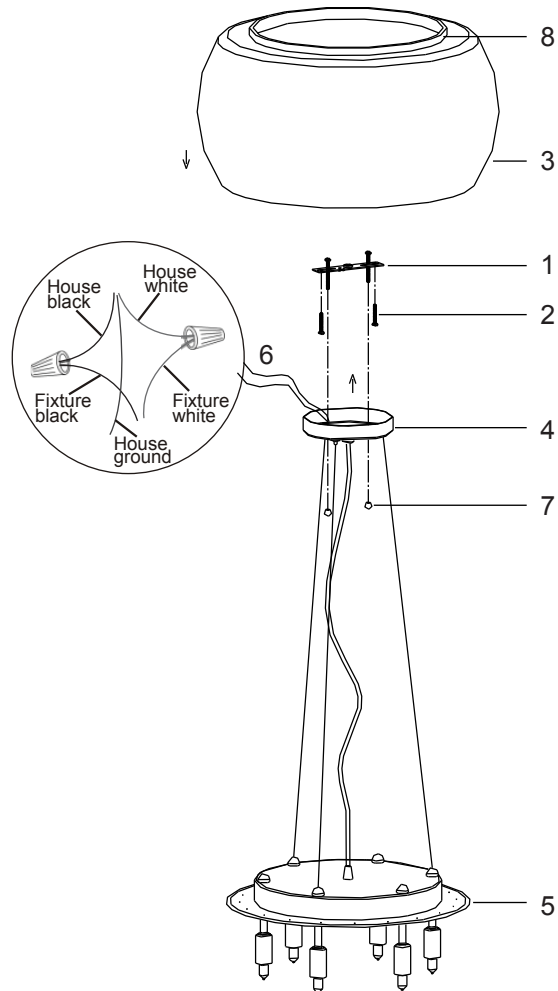
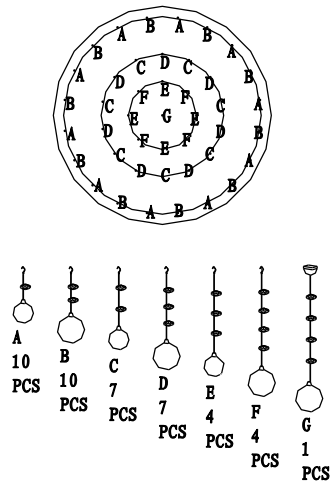
Please Note:

- All Matteo Lighting fixtures come with pre-wired module(s).
- Unless instructed to do so, please do not touch any part of the module(s) as any unnecessary contact with the module could cause permanent damage.

THIS LUMINAIRE MUST BE MOUNTED OR SUPPORTED INDEPENDENTLY OF AN OUTLET BOX

CE LUMINAIRE NE DOIT PAS ETRE MONTE SUR UNE BOITE DE SORTIE NI SUPPORTE PAR UNE TELLE BOITE

NUMERICAL SEQUENCE



- 1 Ensure main supply is switched off.
- 2 Remove the plastic ring (8).
- 3 Fit mounting bracket (1) onto mounting surface with self-tapping screws (2).
- 4 Put the shade (3) through the ceiling plate (4) and metal wire, then fix onto the base (5).
- 5 Connect wires (6) according to color (White to White, Black to Black). Connect all earth plugs together onto the crossbar with green screw to tight.
- 6 Fit ceiling plate onto mounting bracket with nuts (7).
- 7 Fit bulbs (not included) firmly into lampholders.
- 8 Hang crystals (A, B, C, D, E, F, G) onto ceiling plate according to the numerical sequence.
- 9 Reconnect power.