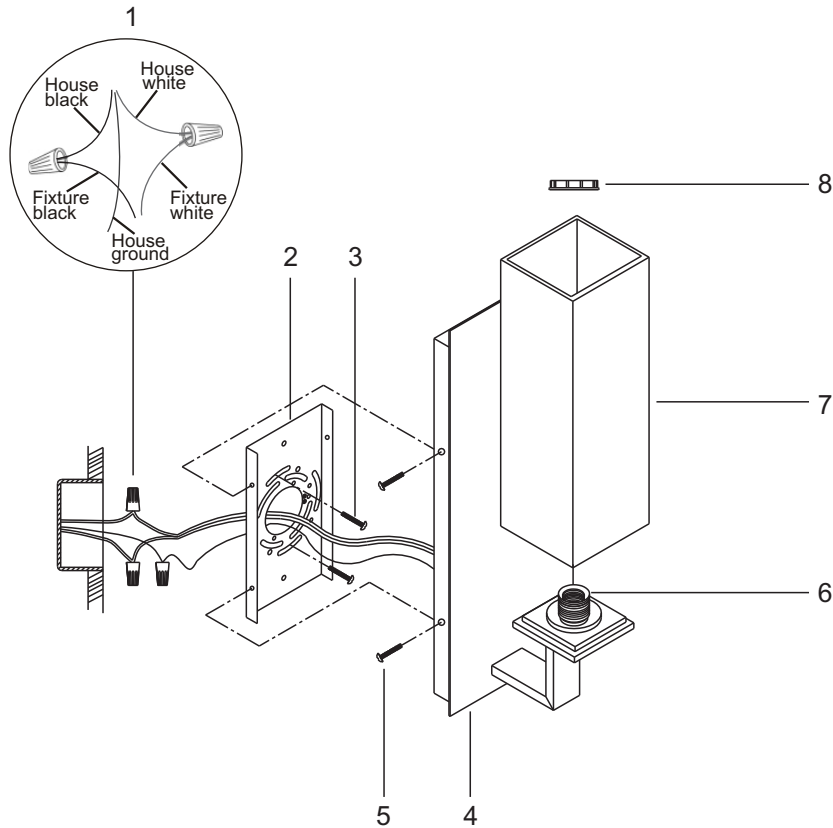




# W30401

# W30402



## INSTALLATION INSTRUCTIONS:

- Ensure main supply is switched off.
- Connect wires (1) according to color (White to White, Black to Black). Connect all earth lug together onto the crossbar with green screw to tight.
- Fit mounting bracket (2) onto mounting surface with self-tapping screws (3).
- Fit wall plate (4) onto mounting bracket with plate screws (5).
- Install lamps firmly into lampholders (6).
- Fit shade (7) onto lampholders with shade ring (8)
- Reconnect power.

## WARNING:

- This fitting must be earthed.
- Disconnect power and allow fitting to cool down before cleaning or changing the lamp.