

PANEL LIGHTS

SM-1x4-5CCT+W | SM-2x2-5CCT+W | SM-2x4-5CCT+W



WARNING

WARNING — THE INSTALLATION MUST BE CARRIED OUT BY A QUALIFIED ELECTRICIAN.

- LED Back Lit Panels are suitable for using in dry and damp locations
- Please keep the LED Panel lights away from any corrosive substance, and please use dry cloth when you clean it
- Before installation or maintenance, please disconnect the power to prevent electric shock

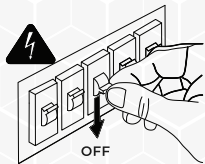
CAUTION

PLEASE READ INSTRUCTION BEFORE COMMENCING INSTALLATION AND RETAIN FOR FUTURE REFERENCES.

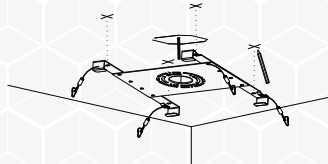
- Electrical products can cause death or injury, or damage to property.
- If in any doubt about the installation or use of this product, consult a competent electrician.

INSTALLATION GUIDE

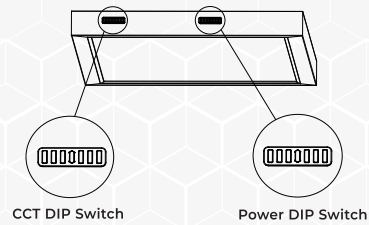
1. Before installation, select desired power and CCT by DIP switches, and remove the surface-mounted bracket from fixture.
2. Turned off the power before installation.
3. Use the surface-mounted bracket to mark the hole positions and dimensions on the ceiling around junction box.



Step 2



Step 3

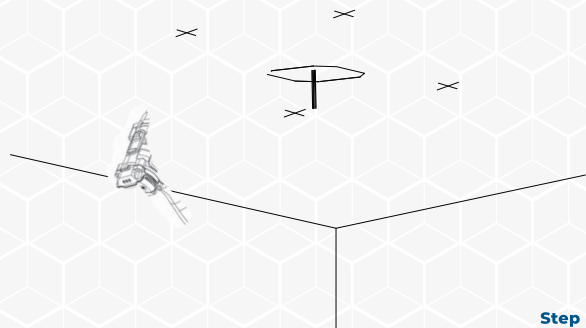


CCT DIP Switch

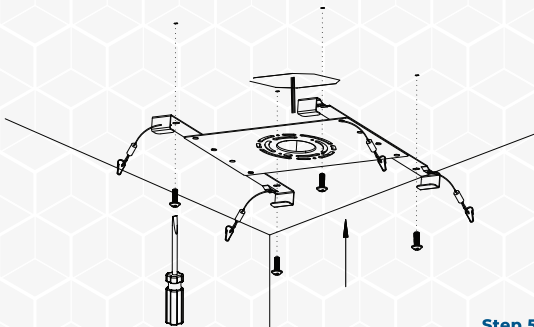
Power DIP Switch

Step 1

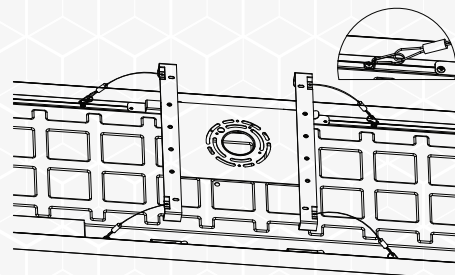
4. Drill holes at the marked positions with an electric drill.
5. Use the anchors and screws to fix the surface-mounted bracket to the ceiling.
6. Attach the safety rope from the surface-mounted bracket to the fixture for double safety, as below figure.



Step 4



Step 5

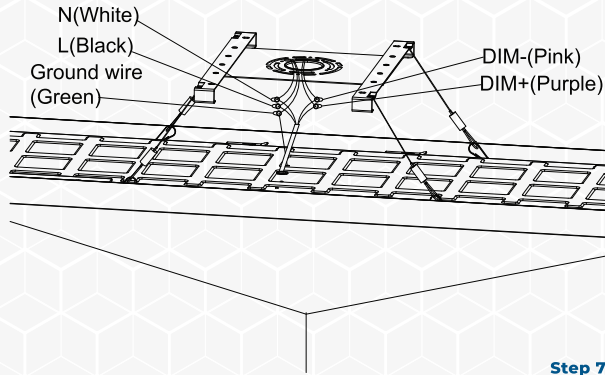


Step 6

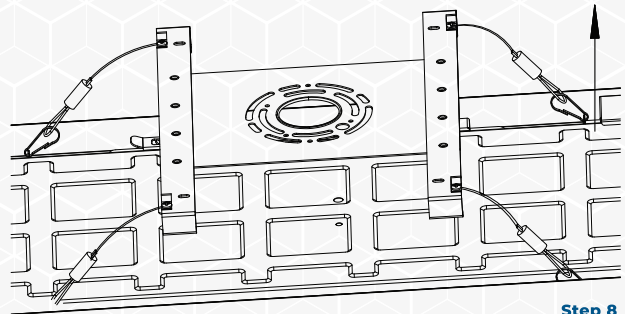
ORTECH reserves the right to modify at any time, without notice, any or all of our product's features, designs, components and specifications to meet market changes.

INSTALLATION GUIDE

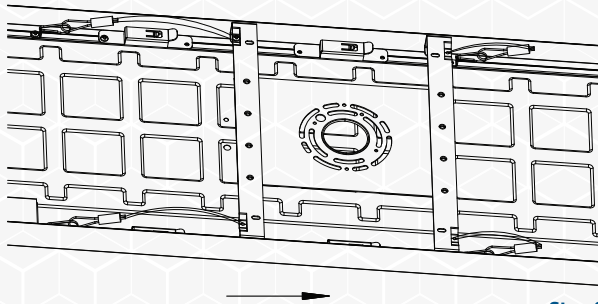
7. Connect other wires separately.
8. Raise the fixture and align it with the surface-mounted bracket.
9. Push the fixture and secure the slots on the back of the fixture into the surface-mounted bracket.
10. The diagram of the correct engagement of surface-mounted bracket slots as below figure.
11. The diagram of fully installed fixture as below figure.
12. Turn on the power and test the fixture.



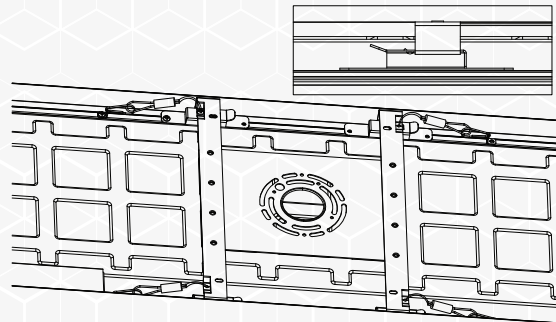
Step 7



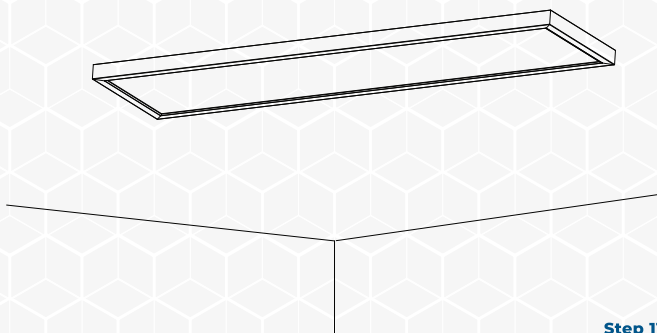
Step 8



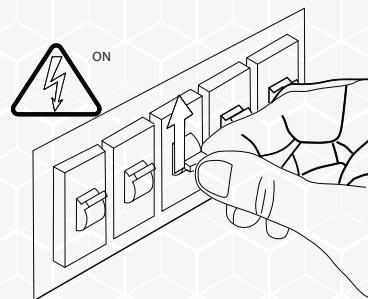
Step 9



Step 10



Step 11



Step 12

ORTECH reserves the right to modify at any time, without notice, any or all of our product's features, designs, components and specifications to meet market changes.